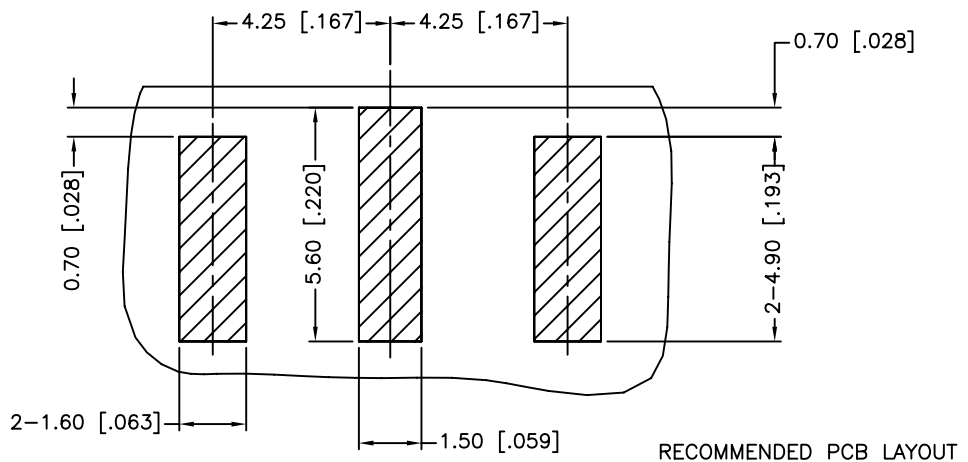
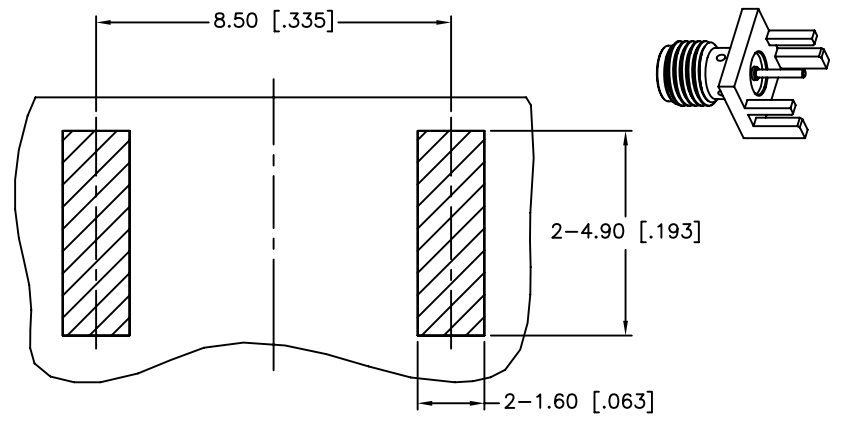


REV.	DATE	ECR NO.	DESCRIPTION
NC	01/09/12	XXXXXX	INITIAL RELEASE

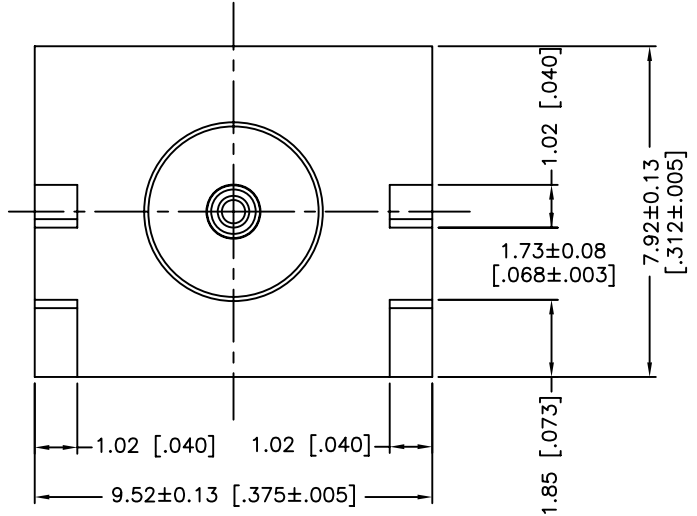
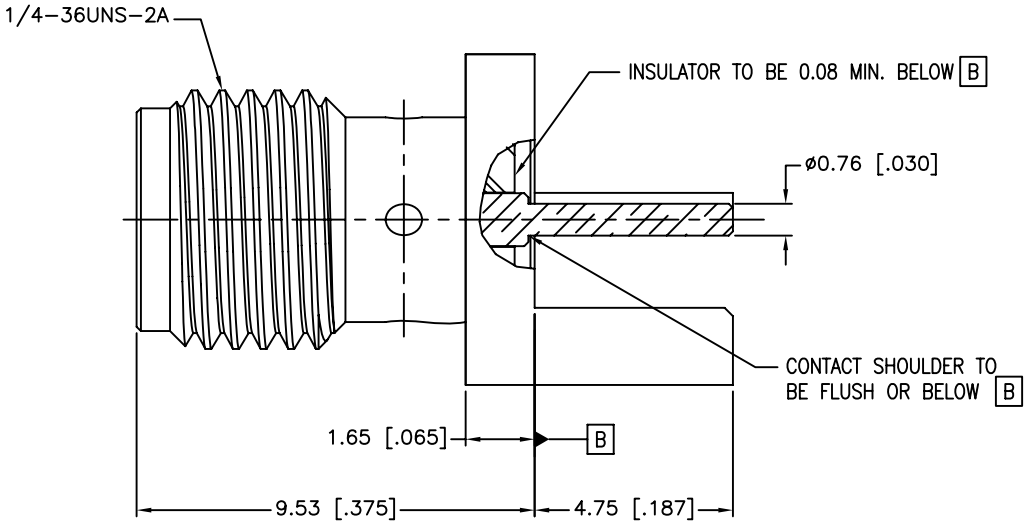
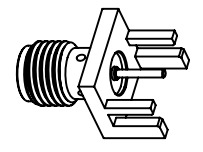


TOP VIEW

RECOMMENDED PCB LAYOUT



BOTTOM VIEW



1. IMPEDANCE: 50 OHM
2. FREQUENCY RANGE: DC 0-18 GHZ
3. VSWR: NOT APPLICABLE
4. DIELECTRIC WITHSTANDING VOLTAGE: 1000 VRMS, MIN.
5. BOARD THICKNESS=1.57 MM [.062"]
6. CONTACT PIN MUST WITHSTAND 6 LBS MIN. AXIAL IN BOTH DIRECTIONS AND 4 IN-OZ MIN. RADIAL FORCE.

UNLESS OTHERWISE SPECIFIED DIMENSIONS ARE IN MILLIMETERS. DIMENSIONS IN [ ] ARE IN INCHES AND FOR CUSTOMER REFERENCE ONLY.

UNLESS OTHERWISE SPECIFIED TOLERANCES FOR MILLIMETERS ARE:  
0.5 - 8mm ± 0.20mm  
8 - 30mm ± 0.40mm  
30 - 120mm ± 0.50mm

UNLESS OTHERWISE SPECIFIED TOLERANCES FOR INCHES ARE:  
.020 - .315 ± 0.007"  
.315 - 1.180 ± 0.015"  
1.180 - 4.724 ± 0.020"

DO NOT SCALE DRAWING

APPROVALS		DATE
DRAWN	M.ZHANG	01/09/12
CHECKED		
ISSUED		
SHEET	1 OF 1	
CAD FILE	C:/CONNEX/132255-12.DWG	

# Amphenol Connex

PART DESCRIPTION		
SMA END LAUNCH RECEPT. JACK, FLUSH FLANGE (.062" BOARD THICKNESS)		
PART NO.		132255-12
DWG. NO.	132255-12.DWG	REV. NC SIZE A SCALE NA

QTY	FINISH	MATERIAL	DESCRIPTION
1	GOLD	BER. COPPER	CONTACT PIN
1	NATURAL	PTFE	INSULATOR
1	GOLD	BRASS	BODY