

RECOMMENDED P.C.B. PATTERN DIMENSION.(REFERENCE) (MOUNTING AREA)

注記 NOTES:

1. 使用材料 MATERIAL  
ハウジング: 液晶ポリマー ガラス充填 UL94V-0 茶色  
HOUSING: LIQUID CRYSTAL POLYMER, GLASS FILLED, UL94V-0, COLOR BROWN  
ターミナル: リン青銅 (t=0.15)  
TERMINAL: PHOSPHOR BRONZE (t=0.15)
2. メッキ仕様 PLATING  
金メッキ(コンタクト部) 0.25µm以上  
GOLD (CONTACT AREA) 0.25 MICROMETER MINIMUM.  
錫メッキ(テール部)  
TIN (TAIL AREA)  
下地メッキ: ニッケルメッキ 1.5µm以上  
UNDER PLATING: NICKEL 1.5 MICROMETER MINIMUM.
3. 嵌合相手: 503376シリーズ  
MATE WITH: 503376 SERIES.
4. テール平坦度は、0.08以下  
TAIL COPLANARITY TO BE 0.08 MAXIMUM
5. ELV及びRoHS適合品  
ELV AND RoHS COMPLIANT
6. 本製品は54552シリーズのボス無し、ロック無し品である。  
THIS PRODUCT IS NON-BOSS AND NON-LOCK VERSION OF 54552 SERIES.

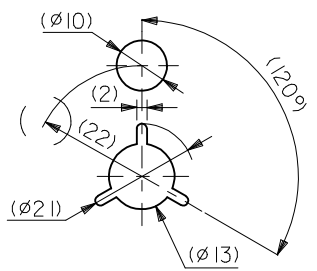
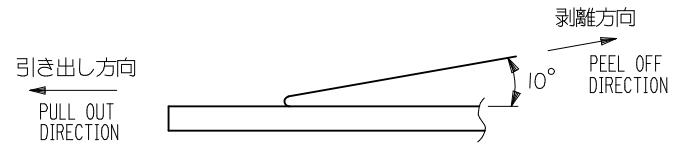
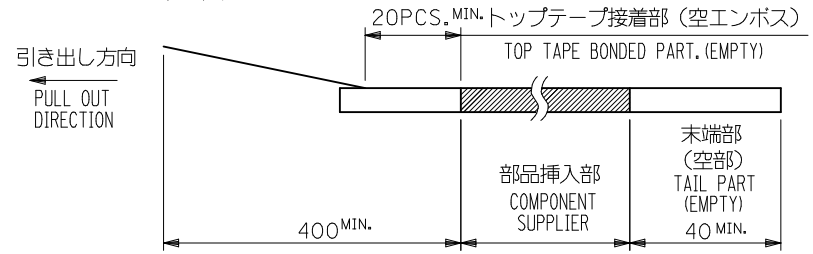
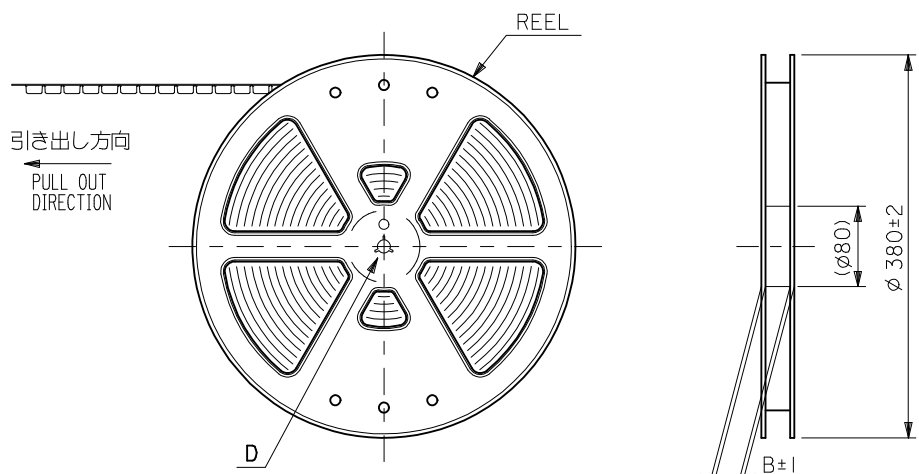
△テール部に適用  
APPLY TO THE TAIL AREA

11	9.6	11.6	54552-5010	50
C	B	A	EMBOSSED TAPE PKG	CIRCUITS
			ORDER No. オーダー番号	
			CONNECTOR SERIES No.	54552-**19

RELEASED EC NO: J2013-0242 DRWG: GMATSUNO 2012/08/31 CHKD: TASAKAWA 2012/08/31 APPR: TASAKAWA 2012/08/31	DESCRIPTION REV	GENERAL TOLERANCES (UNLESS SPECIFIED)		DIMENSION STYLE MM ONLY	SCALE ---	DESIGN UNITS METRIC	THIRD ANGLE PROJECTION	
		10 UNDER	±0.2	DRAWN BY GMATSUNO	DATE 2012/08/27	TITLE 0.4 B/B CONN R/A REC HSG ASSY W/O BOSS W/O LOCK		
		10 OVER 30 UNDER	±0.25	CHECKED BY TASAKAWA	DATE 2012/08/27	molex		
		30 OVER	±0.3	APPROVED BY TASAKAWA	DATE 2012/08/31			
ANGULAR ±3 °		DRAFT WHERE APPLICABLE MUST REMAIN WITHIN DIMENSIONS		MATERIAL NO. SEE CHART	DOCUMENT NO. SD-54552-027	SHEET NO. 1 OF 1		
SIZE A3		THIS DRAWING CONTAINS INFORMATION THAT IS PROPRIETARY TO MOLEX INCORPORATED AND SHOULD NOT BE USED WITHOUT WRITTEN PERMISSION						

NOTES

- 製品詳細寸法については SD-54552-027 を参照ください。  
RE DETAILED DIMENSION, SEE SD-54552-027
- 梱包数量：1500個/リール  
NUMBER OF CONNECTORS : 1500PCS/REEL
- リードテープ長さ LEAD TAPE LENGTH  
20PCS. MIN. トップテープ接着部 (空エンボス)  
TOP TAPE BONDED PART. (EMPTY)  
部品挿入部  
COMPONENT SUPPLIER  
末端部 (空部)  
TAIL PART (EMPTY)  
40 MIN.
- トップテープの剥離強度：0.1 ~ 1.3N {10 ~ 130gf} (剥離方向は下図参照)  
尚、本規格値は出荷時に適用。(但し、輸送時に剥離が発生しないこと。)  
PEELING OFF FORCE OF TOP TAPE : 0.1 ~ 1.3N {10 ~ 130gf}  
(PEELING DIRECTION AS SHOWN IN FOLLOWING FIG.)  
THIS REQUIREMENT SHOULD BE APPLIED AT SHIPMENT.  
PEEL OFF SHOULD NOT BE ALLOWED , DURING TRANSPORTATION.
- 材料 (MATERIAL)  
キャリアテープ (CARRIER TAPE) : ポリプロピレン (POLYPROPYLENE)  
トップテープ (TOPTAPE) : PET , PE , PEF  
リール (REEL) : ポリスチレン (P S) (リサイクル材を含む)  
POLYSTYRENE (PS) <RECYCLE MATERIAL CONTAINED>
- ELV 及び RoHS 適合品  
ELV AND RoHS COMPLIANT.
- 本製品は、54552シリーズのボス無し、ロック無し品である。  
THIS PRODUCT IS NON-BOSS AND NON-LOCK VERSION OF 54552 SERIES.

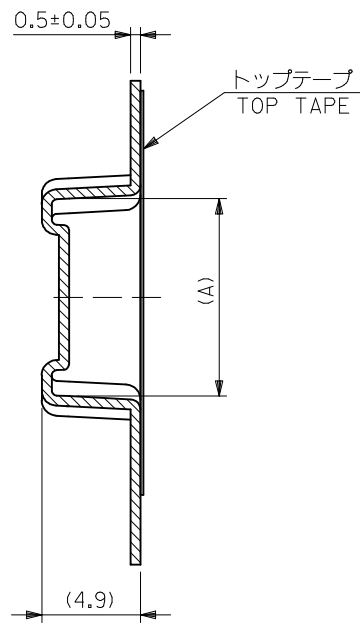


DETAIL D

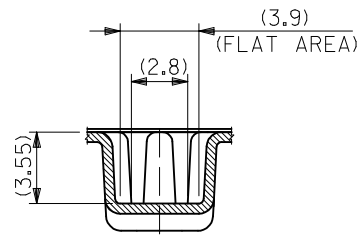
54552-5010	50
EMBOSSED TAPE PKG.	極数
ORDER No. オーダー番号	CIRCUITS

CONNECTOR SERIES No. | 54552-\*\*10

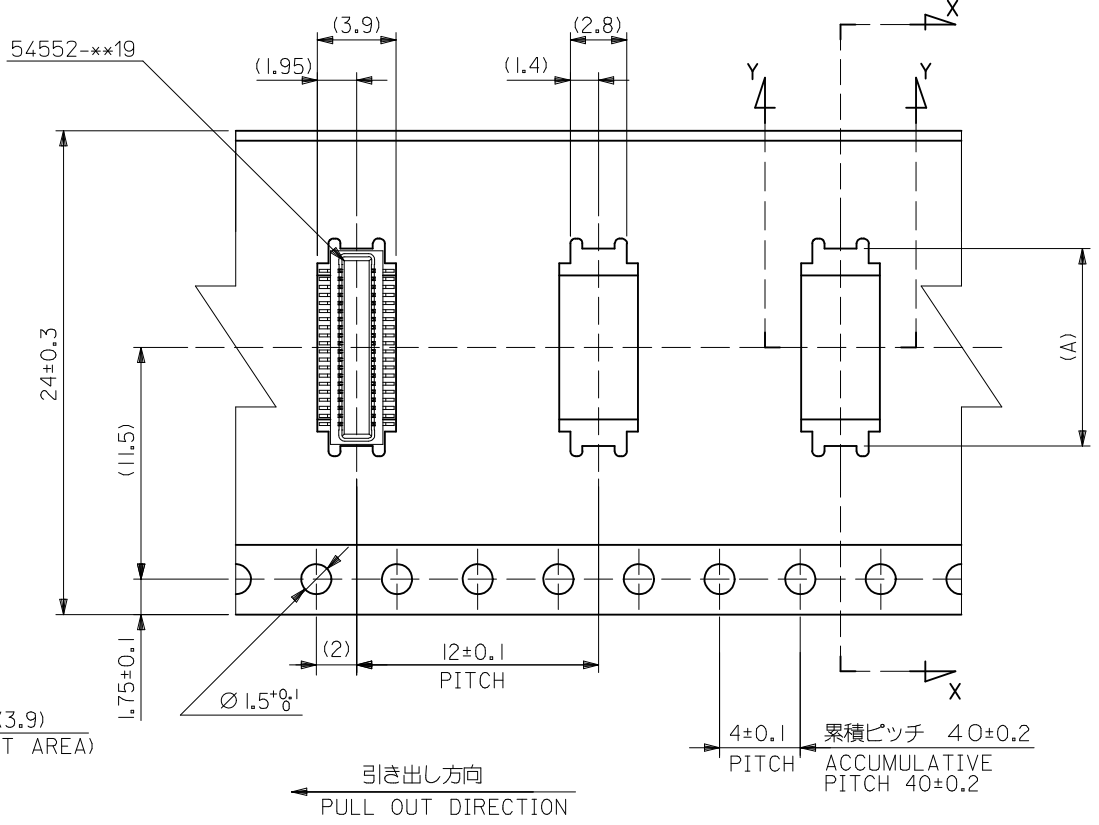
RELEASED EC NO.: J2013-0242 DRWG: GMATSUNO 2012/08/31 CHKD: TASKAWA 2012/08/31 APPR: TASAKAWA 2012/08/31	GENERAL TOLERANCES (UNLESS SPECIFIED)		DIMENSION STYLE MM ONLY		SCALE ---	DESIGN UNITS METRIC	THIRD ANGLE PROJECTION
	10 UNDER	±0.2	DRAWN BY GMATSUNO	DATE 2012/08/27	TITLE EMBSTP PKG FOR 0.4 B/B CONN. RA REC ASSY W/O BOSS W/O LOCK		
	10 OVER 30 UNDER	±0.25	CHECKED BY TASAKAWA	DATE 2012/08/27	<b>molex</b> SD-54552-028 1 OF 2		
	30 OVER	±0.3	APPROVED BY TASAKAWA	DATE 2012/08/31			
0	ANGULAR ±3 °	MATERIAL NO. SEE CHART		DOCUMENT NO. SD-54552-028		SHEET NO. 1 OF 2	
	DRAFT WHERE APPLICABLE MUST REMAIN WITHIN DIMENSIONS	THIS DRAWING CONTAINS INFORMATION THAT IS PROPRIETARY TO MOLEX INCORPORATED AND SHOULD NOT BE USED WITHOUT WRITTEN PERMISSION					



SECT X-X



SECT Y-Y



24mm幅キャリアテープ  
 24mm WIDTH CARRIER TAPE

24	29.4	25.4	11.8	54552-5010	50
キャリアテープ幅 CARRIER TAPE WIDTH	C	B	(A)	EMBOSSED TAPE PKG. ORDER No. オーダー番号	極数 CIRCUITS

RELEASED EC NO: J2013-0242 DRWG: GMATSUNO 2012/08/31 CHKD: TASAKAWA 2012/08/31 APPR: TASAKAWA 2012/08/31	GENERAL TOLERANCES (UNLESS SPECIFIED)		DIMENSION STYLE MM ONLY		SCALE ---	DESIGN UNITS METRIC	THIRD ANGLE PROJECTION
	10 UNDER	±0.2	DRAWN BY GMATSUNO	DATE 2012/08/27	TITLE EMBSTP PKG FOR 0.4 B/B CONN. RA REC ASSY W/O BOSS W/O LOCK		
	10 OVER 30 UNDER	±0.25	CHECKED BY TASAKAWA	DATE 2012/08/27	<b>molex</b> DOCUMENT NO. SD-54552-028 SHEET NO. 2 OF 2		
	30 OVER	±0.3	APPROVED BY TASAKAWA	DATE 2012/08/31			
0	DESCRIPTION ANGULAR ±3 ° DRAFT WHERE APPLICABLE MUST REMAIN WITHIN DIMENSIONS	MATERIAL NO. SEE CHART		THIS DRAWING CONTAINS INFORMATION THAT IS PROPRIETARY TO MOLEX INCORPORATED AND SHOULD NOT BE USED WITHOUT WRITTEN PERMISSION			