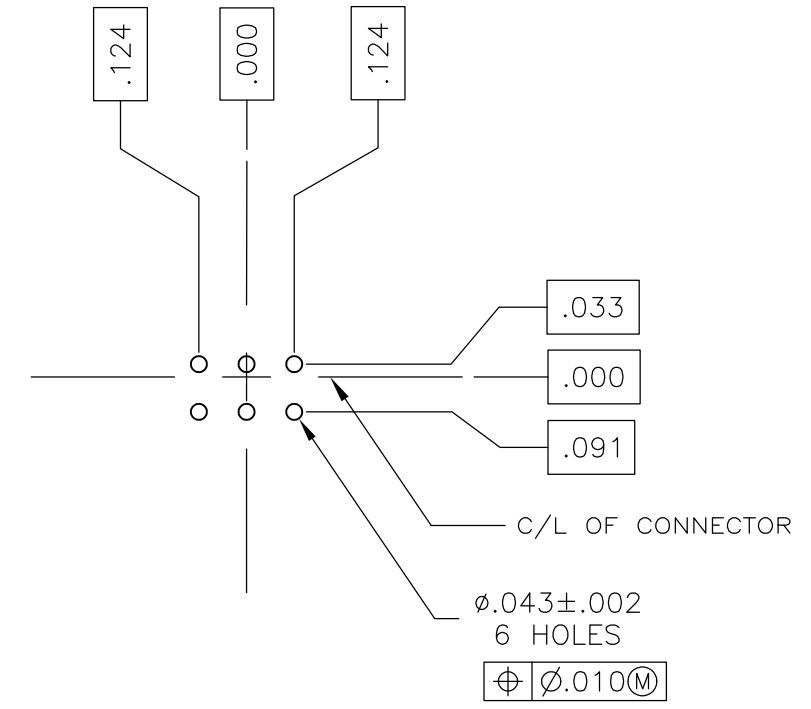
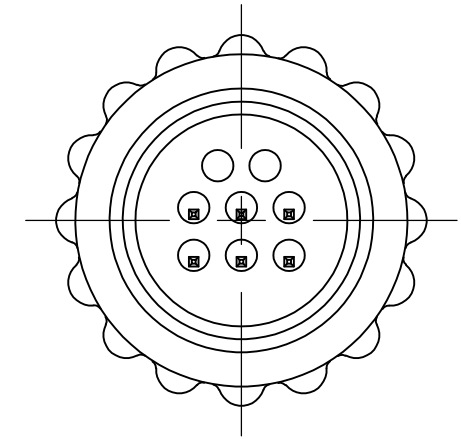
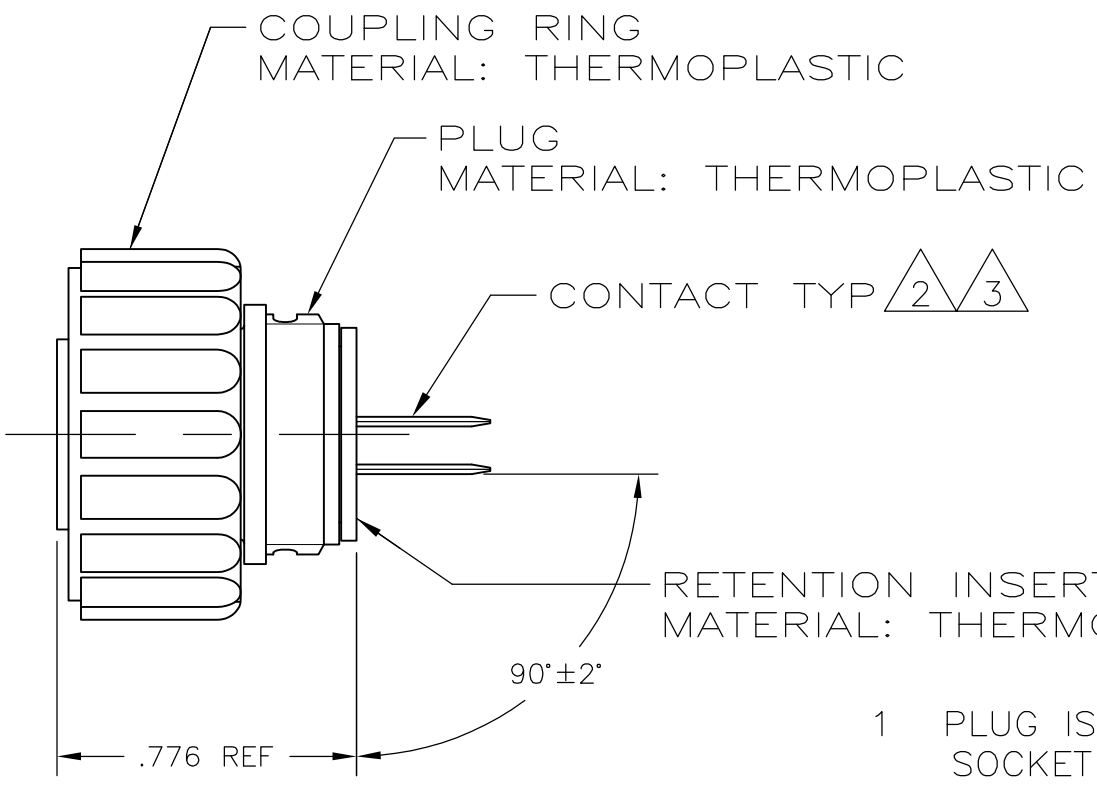
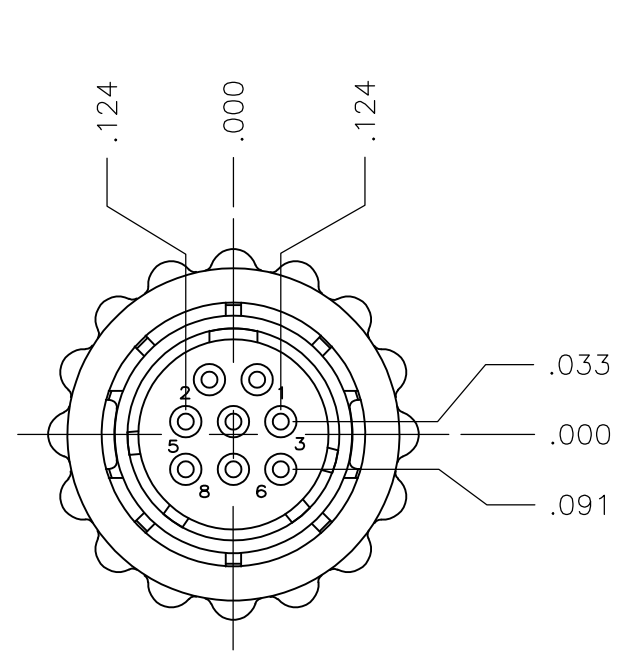
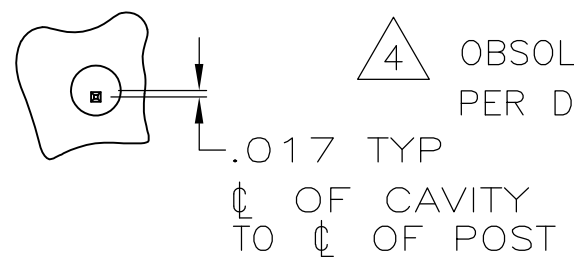


THIS DRAWING IS UNPUBLISHED. RELEASED FOR PUBLICATION
 © COPYRIGHT BY TYCO ELECTRONICS CORPORATION. ALL INTERNATIONAL RIGHTS RESERVED.

LOC	DIST	REVISIONS			
P	LTR	DESCRIPTION	DATE	DWN	APVD
FT	0	A	NEW DRAWING PER ECO-08-022303	15SEP08	HMR BC
		A1	REVISED PER ECO-09-023313	09OCT09	KK AEG



- 1 PLUG IS LOADED WITH 6, SIZE 20 DF POSTED SOCKET CONTACTS. POSITION 1 & 2 VACANT
- 2 .000030 MIN GOLD ON LOCALIZED GOLD PLATE AREA, .000100 MIN TIN-LEAD ON LOCALIZED TIN PLATE AREA, ALL OVER .000050 MIN NICKEL.
- 3 GOLD FLASH ON LOCALIZED GOLD PLATE AREA, .000100 MIN TIN ON LOCALIZED TIN PLATE AREA, ALL OVER .000050 MIN NICKEL.
- 4 OBSOLETE PARTS: OBSOLETE CIS STREAMLINING PER D.RENAUD/D.SINISI



POST ARRANGEMENT ON REAR FACE

4	OBSOLETE	3	1-796902-1
		2	796902-1
		FINISH	PART NO

RECOMMENDED P.C. BOARD LAYOUT

THIS DRAWING IS A CONTROLLED DOCUMENT.		DWN RAGHAVENDRA 15SEP08	Tyco Electronics Corporation Harrisburg, PA 17105-3608	
DIMENSIONS: INCHES		CHK CHANEY BRIAN 15SEP08	NAME	
TOLERANCES UNLESS OTHERWISE SPECIFIED:		APVD CHANEY BRIAN 15SEP08	PLUG ASSEMBLY STD SEX, POSTED SERIES 2, 11-8, CPC	
0 PLC ± - 1 PLC ± - 2 PLC ± - 3 PLC ± .005 4 PLC ± - ANGLES ± -		PRODUCT SPEC	SIZE	CAGE CODE
MATERIAL		APPLICATION SPEC	A3	00779
FINISH		WEIGHT	C=796902	RESTRICTED TO
		CUSTOMER DRAWING	SCALE 2:1	SHEET 1 OF 1
				REV A1