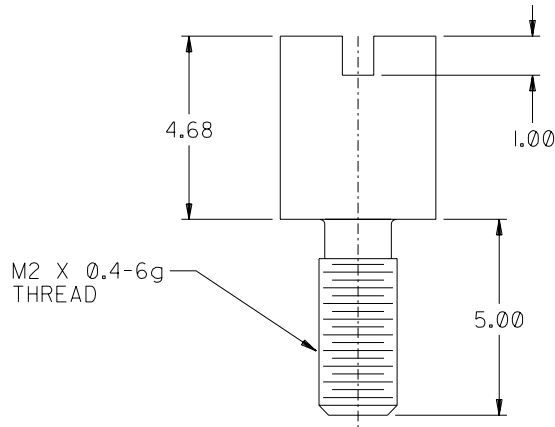
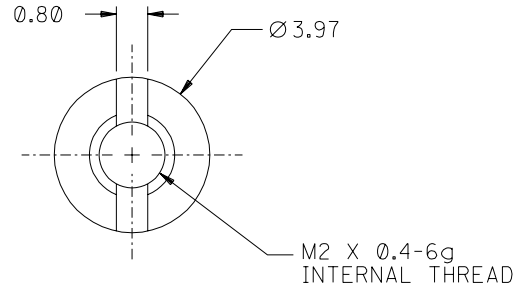


NOTES:

1. MATERIAL: HOT ROLLED STEEL.
2. FINISH: NICKEL PLATE
3. PACKAGING: 200 PARTS TO BE BULK PACKED IN BAGS.



ADD PACKAGING NOTE
 EC NO. UCP2003-0129
 DRWN: SCHMIDCA 07/22/02
 CHK: MBANAKIS 07/23/02
 APPR: MBANAKIS 07/23/02

QUALITY SYMBOLS
 MAJOR
 CRITICAL

GENERAL TOLERANCES: (UNLESS SPECIFIED)		SCALE 8 : 1	DESIGN UNITS <input checked="" type="checkbox"/> mm <input type="checkbox"/> INCH	DIMENSIONS: <input type="checkbox"/> mm <input type="checkbox"/> INCH <input checked="" type="checkbox"/> mm ONLY		SHT	REV
4 PLACES	±0.	±.	DRAWN BY & DATE SSAMPSON 98/04/08		THIRD ANGLE PROJECTION		
3 PLACES	±0.	±.	CHECKED BY & DATE DBOWEN 98/04/08		TITLE: VHDCI M2 X 0.4 mm FEMALE ROUND SCREWLOCK		
2 PLACES	±0.13	±.	APPROVED BY & DATE DBOWEN 98/04/08		MATERIAL NO. 71433-0002 DRAWING NO. SD-71433-005		
1 PLACE	±0.	±.	CAD FILENAME NONE.		SHEET NO. 1 OF 1		
ANGULAR: ± 1/2°		DRAFT WHERE APPLICABLE MUST REMAIN WITHIN DIMENSIONS		THIS DRAWING CONTAINS INFORMATION THAT IS PROPRIETARY TO MOLEX INCORPORATED AND SHOULD NOT BE USED WITHOUT WRITTEN PERMISSION.			

B

REV

SIZE
B