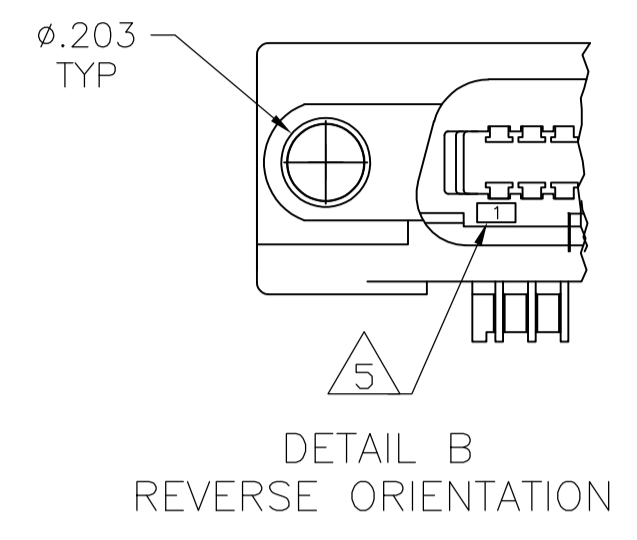
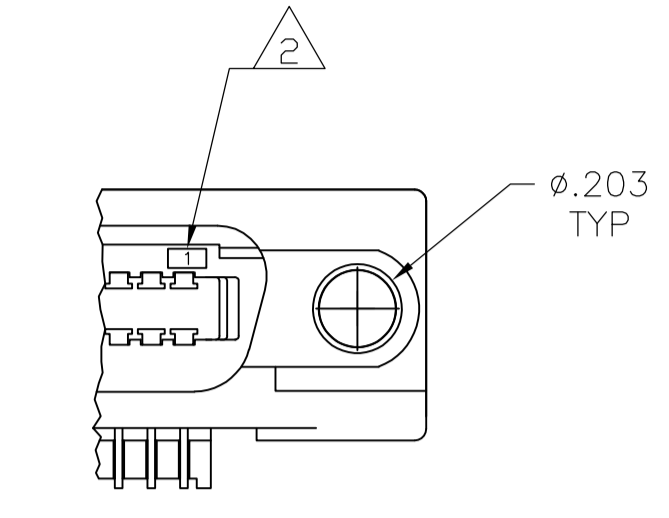


SUGGESTED PRINTED CIRCUIT BOARD MOUNTING DIMENSIONS

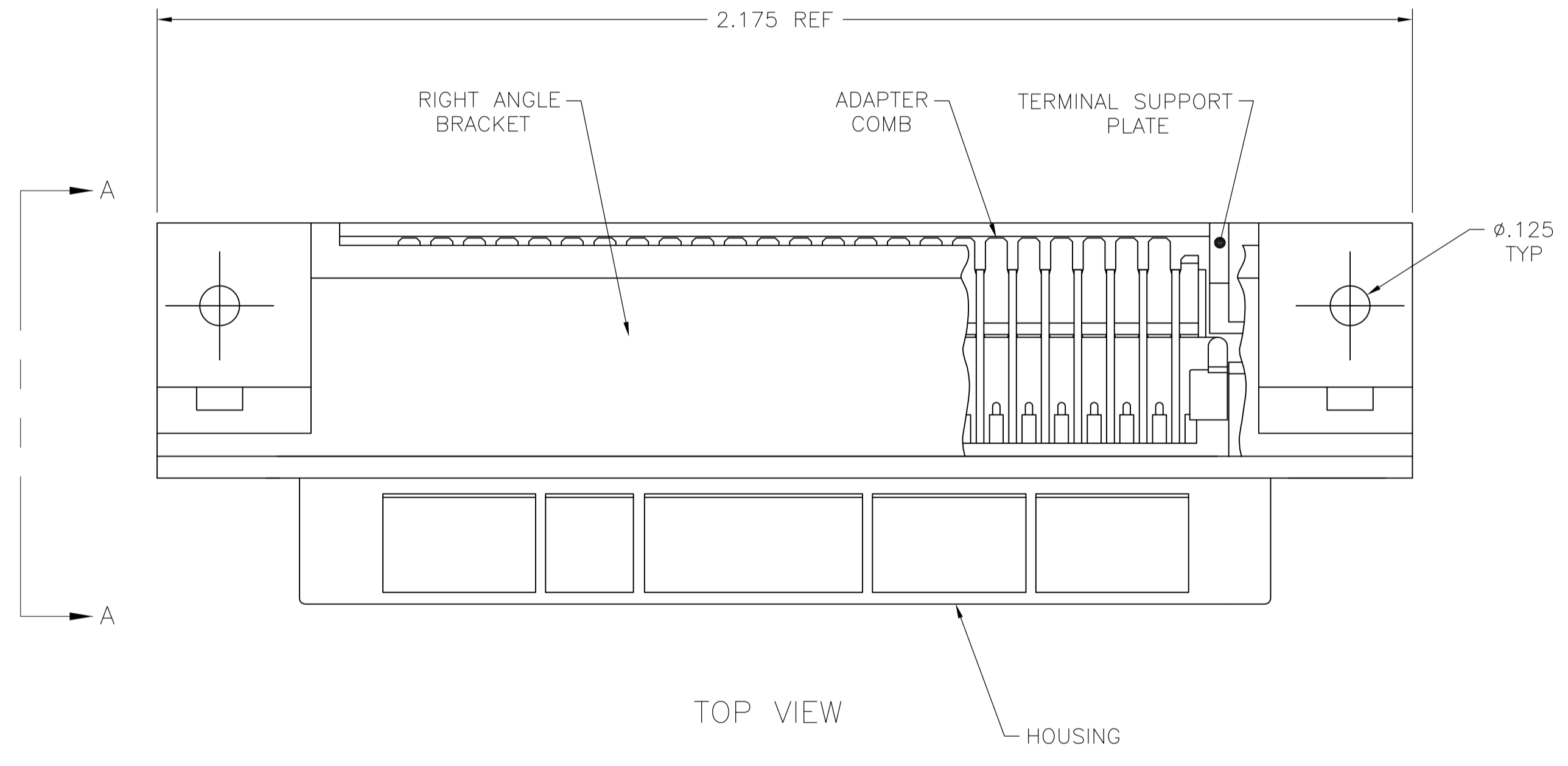


DETAIL B
REVERSE ORIENTATION

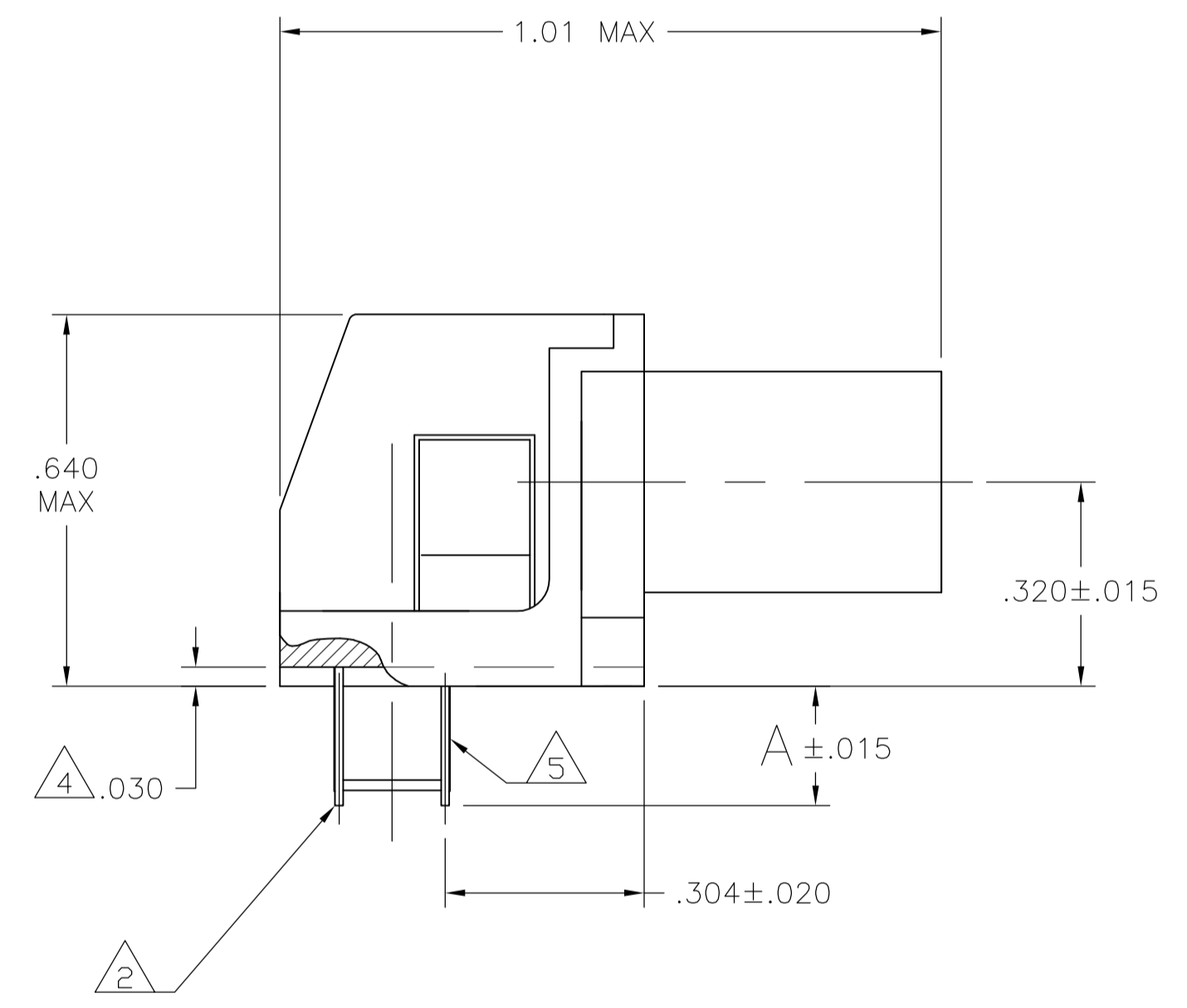


DETAIL A
STANDARD ORIENTATION

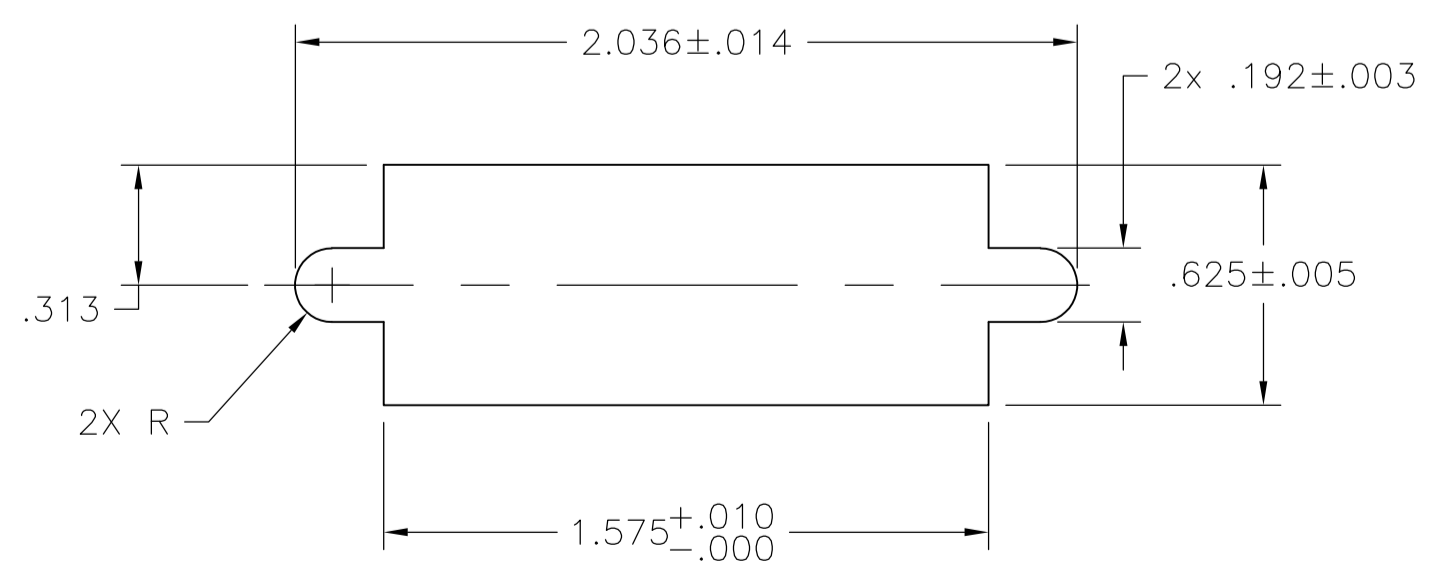
- 1 MATERIAL:
HOUSING, RIGHT ANGLE BRACKET, ADAPTER COMB & SUPPORT PLATE - THERMOPLASTIC, BLACK.
TERMINALS - HIGH STRENGTH COPPER ALLOY PLATED WITH EITHER .000030 MIN GOLD PLATE OR GOLD FLASH OVER PALLADIUM NICKEL PLATE, .000030 MIN TOTAL ON MATING SURFACE. .000120 MIN TIN PLATE ON TAILS. ALL OVER .000050 MIN NICKEL UNDERPLATE OVER ENTIRE TERMINAL.
- 2 TERMINAL 1 IS LOCATED IN THIS ROW FOR STANDARD ORIENTATION, SEE DETAIL A.
- 3 PANEL THICKNESS RANGE: .125 MAX.
- 4 SUPPORT PLATE CLEARANCE FOR TERMINAL STRAIN RELIEF AND FLUX REMOVAL.
- 5 TERMINAL 1 IS LOCATED IN THIS ROW FOR REVERSE ORIENTATION, SEE DETAIL B.



TOP VIEW



SIDE VIEW A-A



PANEL CUTOUT DIMENSIONS ³
FOR REAR PANEL MOUNTING
FOR METRIC HARDWARE

.092	SEE DETAIL B	5553121-3
.187	SEE DETAIL B	5553121-2
	SEE DETAIL A	5553121-1
A	DESCRIPTION	PART NUMBER

THIS DRAWING IS A CONTROLLED DOCUMENT. DIMENSIONING AND TOLERANCING PER ASME Y14.5M-2009		DIN EJ CIRK W MILLHIMES 18AUG05	18AUG05	TE Connectivity	
DIMENSIONS: INCHES		TOLERANCES UNLESS OTHERWISE SPECIFIED:		NAME	
0 PL	± -	APVD M. WALMSEY 18AUG05		PRODUCT SPEC	
1 PL	± -	APPLICATION SPEC		ASSEMBLY, EMI, RECEPTACLE 24 POSITION, RIGHT ANGLE	
2 PL	± -	SIZE		CAGE CODE	
3 PL	± .005	WEIGHT		DRAWING NO	
4 PL	± -	A1		00779	
ANGLES	± -	CUSTOMER DRAWING		SCALE 2:1	
FINISH		SHEET 1 OF 1		REV C	