

PACKAGING

PACKAGING TYPE:  
Tube  
TUBE QUANTITY:  
48 Pieces

SCHEMATIC

POSITION	TERMINAL			
	1	2	4	8
0				
1	●			
2		●		
3	●			
4			●	
5	●			
6		●	●	
7	●		●	
8				●
9	●			●

● CLOSED (Connected to C)

SPECIFICATIONS

FUNCTION:  
1P10T

RATINGS:  
Switching: 25mA 24VDC  
Steady: 100mA 50VDC

OPERATING FORCE:  
400gfcM

CONTACT RESISTANCE:  
Initial: 100mΩ Max.  
After Life: 200mΩ Max.

INSULATION RESISTANCE:  
100MΩ Min. at 250VDC

DIELECTRIC STRENGTH:  
250VAC For 1 Minute

CAPACITANCE:  
5pF Max.

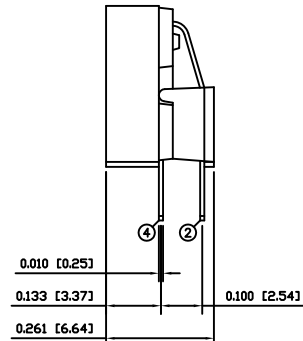
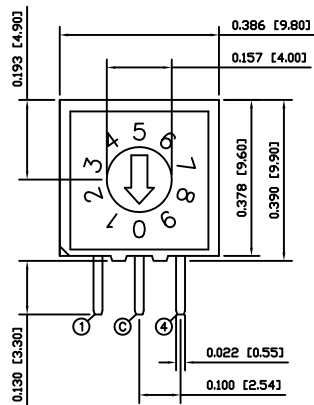
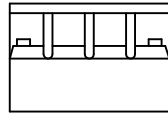
SHOCK RESISTANCE:  
Mil-Std. 202F, Method 213B  
Gravity: 50G, 11msec.  
Direction: 6 Sides  
Times: 3 Each Direction  
High Reliability

VIBRATION RESISTANCE:  
Mil-Std. 202F, Method 201A  
Frequency: 10-55-10Hz/1 Minute  
Direction: X, Y, Z  
Time: 2 Hours Each Direction  
High Reliability

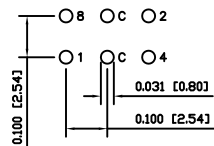
ELECTRICAL LIFE:  
20,000 Steps

TEMPERATURE:  
Storage: -40°C to 85°C  
Operation: -25°C to 80°C

APPROVALS:  
**RoHS LEAD FREE**  
COMPLIANT PROCESS COMPATIBLE



SUGGESTED PCB LAYOUT



COLORS

BODY:  
Black  
ACTUATOR:  
White  
MARKING COLOR:  
White

MATERIALS

BASE:  
Polyamide 9T (PA9T), UL94 V-0  
COVER:  
Polyamide 9T (PA9T), UL94 V-0  
ACTUATOR:  
Liquid Crystal Polymer (LCP), UL94 V-0  
SPRINGS:  
Stainless Steel  
CONTACTS:  
Gold Over Nickel Plated Phosphor Bronze  
TERMINALS:  
Gold Over Nickel Plated Brass

ACTUATOR	A	09/11/16	CAB
BODY	B	11/04/27	CAB
MATERIALS	A	09/11/16	CAB
PACKAGING	A	09/11/16	CAB
SPECIFICATIONS	B	10/04/07	CAB
REFERENCE	REV.	DATE	BY

THE INFORMATION CONTAINED IN THIS DOCUMENT IS PROPRIETARY TO E-SWITCH AND IS NOT TO BE COPIED OR TRANSFERRED

C	GENERAL TOLERANCES	19867	11/04/27	CAB
B	CORRECTED TERMINAL NUMBERING	19005	10/04/07	CAB
A	INCREASED OPERATING FORCE	18870	10/02/11	CAB
REV.	INITIAL RELEASE	PCR	DATE	DRAWN BY

DIMENSIONS	
INCHES [MILLIMETERS]	
GENERAL TOLERANCES	
±0.008 [±0.2] / ±1'	
SCALE	PROJECTION
DRAWING NOT TO SCALE	1:1

<p><b>DR3A-10R-B</b></p>			
ITEM NUMBER	DATE	REVISION	
06-DR3A10RB	APRIL 27, 2011	C	