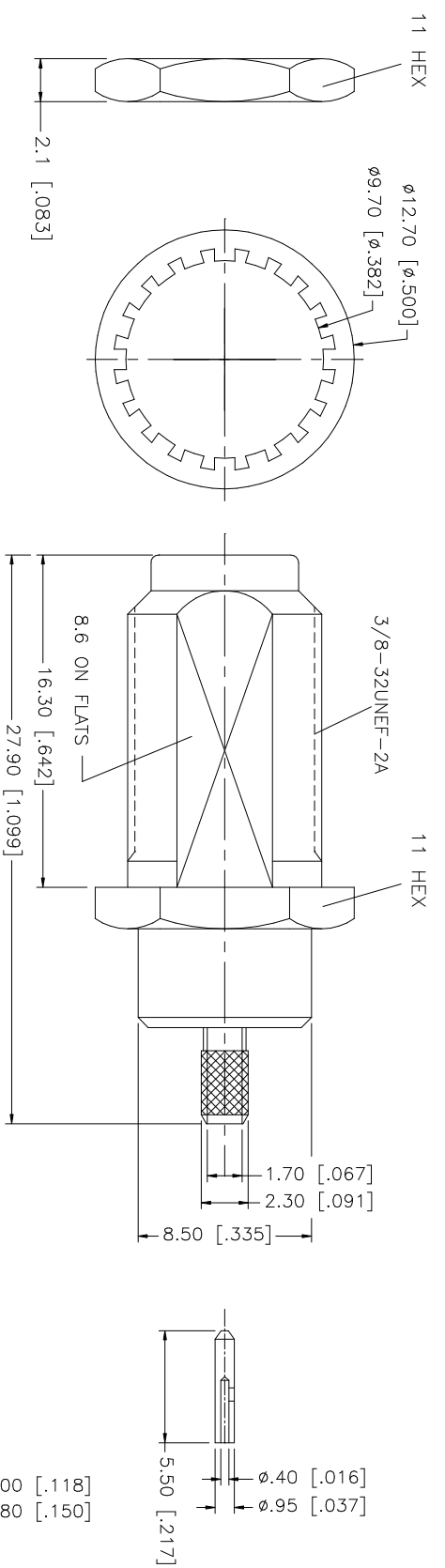
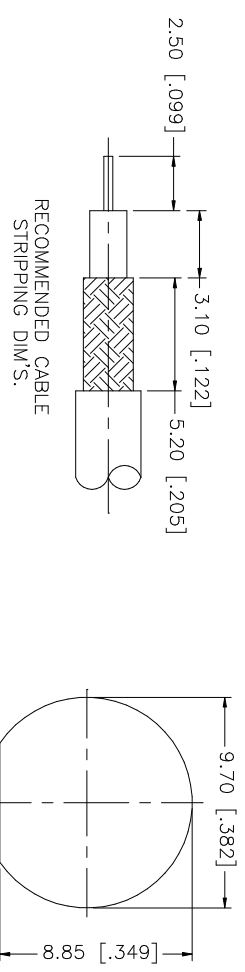
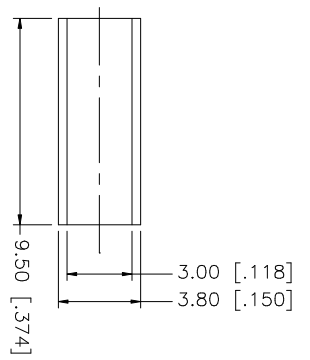


REV.	DATE	DESCRIPTION
NC	11/10/03	INITIAL RELEASE



NOTE:
 1. CRIMPED FERRULE HEX
 SIZE .128"
 2. ACCEPTS Ø0.5~1.05 CENTER
 CONDUCTOR TYPICAL.



8																			
7																			
6	FERRULE	COPPER	NICKEL	1															
5	HEX NUT	BRASS	NICKEL	1															
4	LOCK WASHER	BRASS	NICKEL	1															
3	INSULATOR	TEFLON	NATURAL	1															
2	CONTACT PIN	BER. COPPER	GOLD	1															
1	HOUSING/BODY	BRASS	NICKEL	1															
	DESCRIPTION	MATERIAL	FINISH	QTY															
					UNLESS OTHERWISE SPECIFIED DIMENSIONS ARE IN INCHES AND FOR CUSTOMER REFERENCE ONLY. TOLERANCES FOR MILLIFIERS ARE: UNLESS OTHERWISE SPECIFIED 0.3 - 8mm ± 0.20mm 8 - 30mm ± 0.40mm 30 - 120mm ± 0.50mm UNLESS OTHERWISE SPECIFIED DIMENSIONS FOR INCHES ARE: .020 - .315 = ± 0.007" .315 - 1.180 = ± 0.015" 1.180 - 4.724 = ± 0.020"					DO NOT SCALE DRAWING					CAD FILE C:/222/222192.DWG				
					APPROVALS					DATE									
					DRAWN G.R.S.					11/10/03									
					CHECKED														
					ISSUED														
					SHEET 1 OF 1														
					PART NO.					222192									
					PART DESCRIPTION					F BULKHEAD CRIMP JACK FOR RG-174/U, 179/U, 179B/U, 187A/U CABLE)									
					DWG. NO.					222192.DWG									
					REV.					NC									
					SIZE					A									
					SCALE					NA									

Amphenol Connex