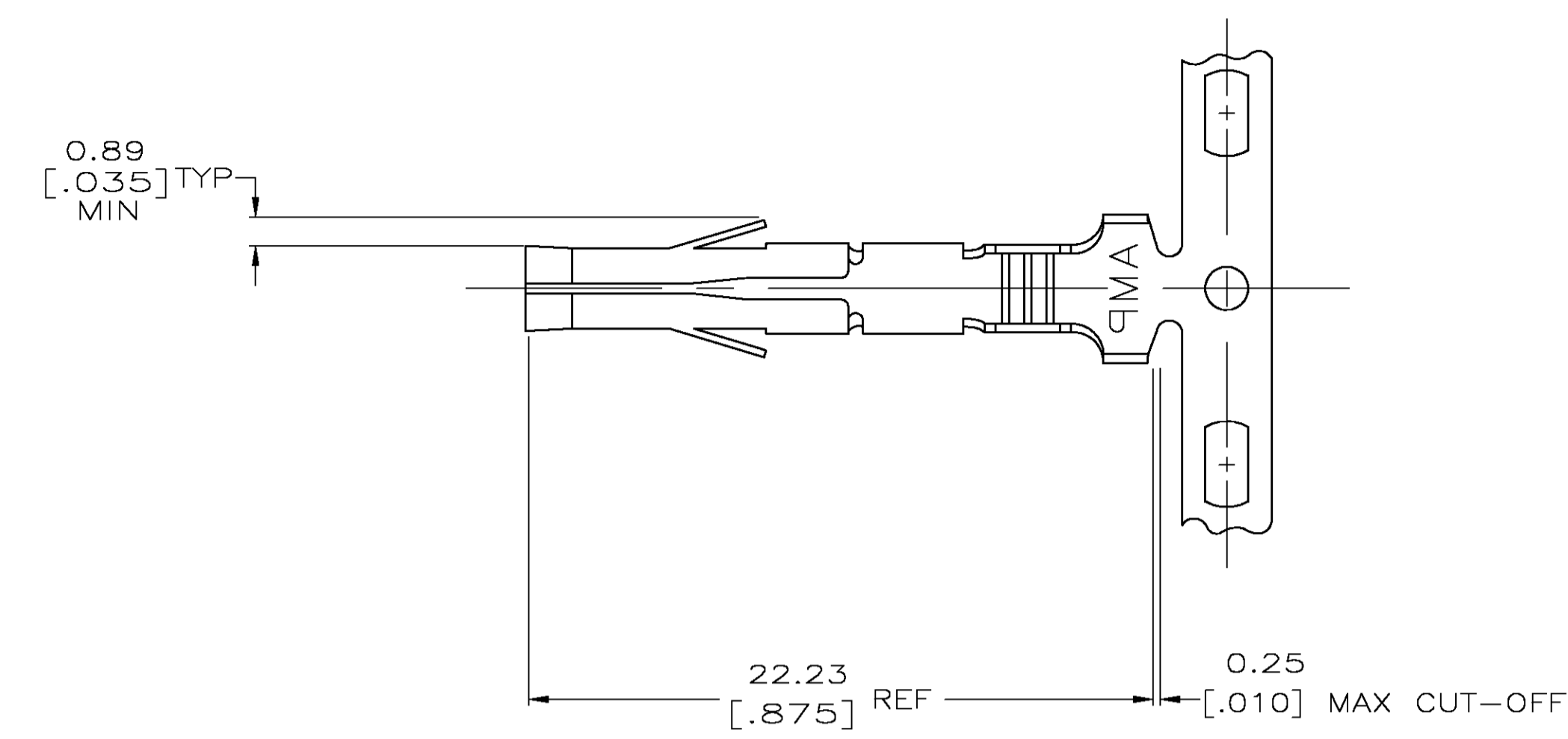
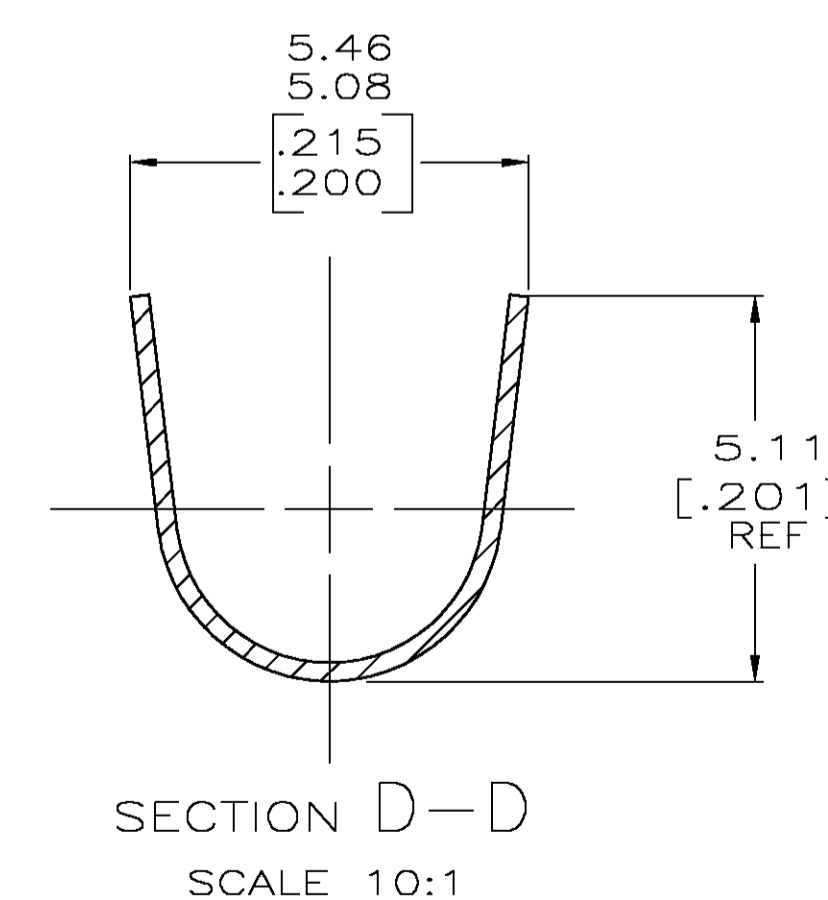
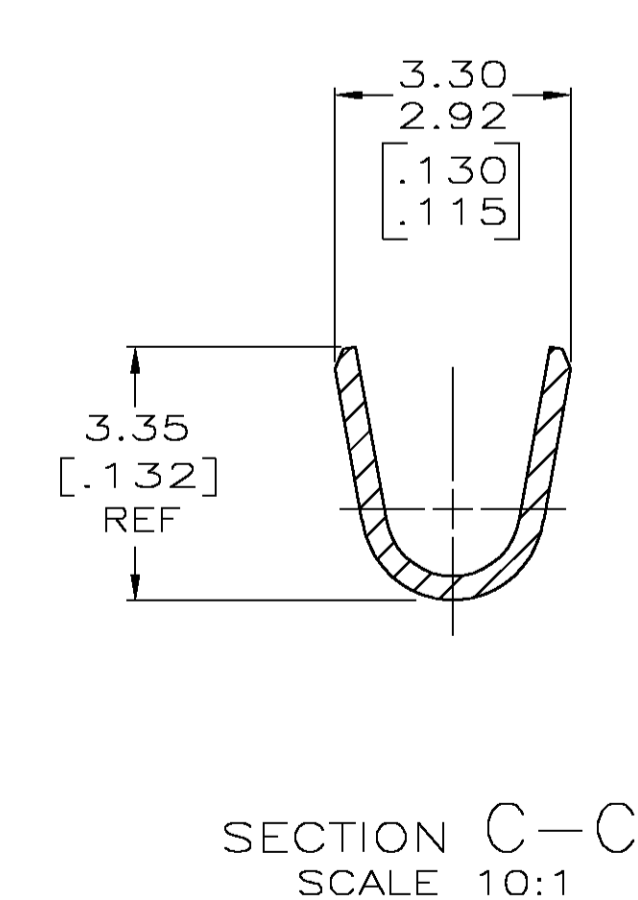
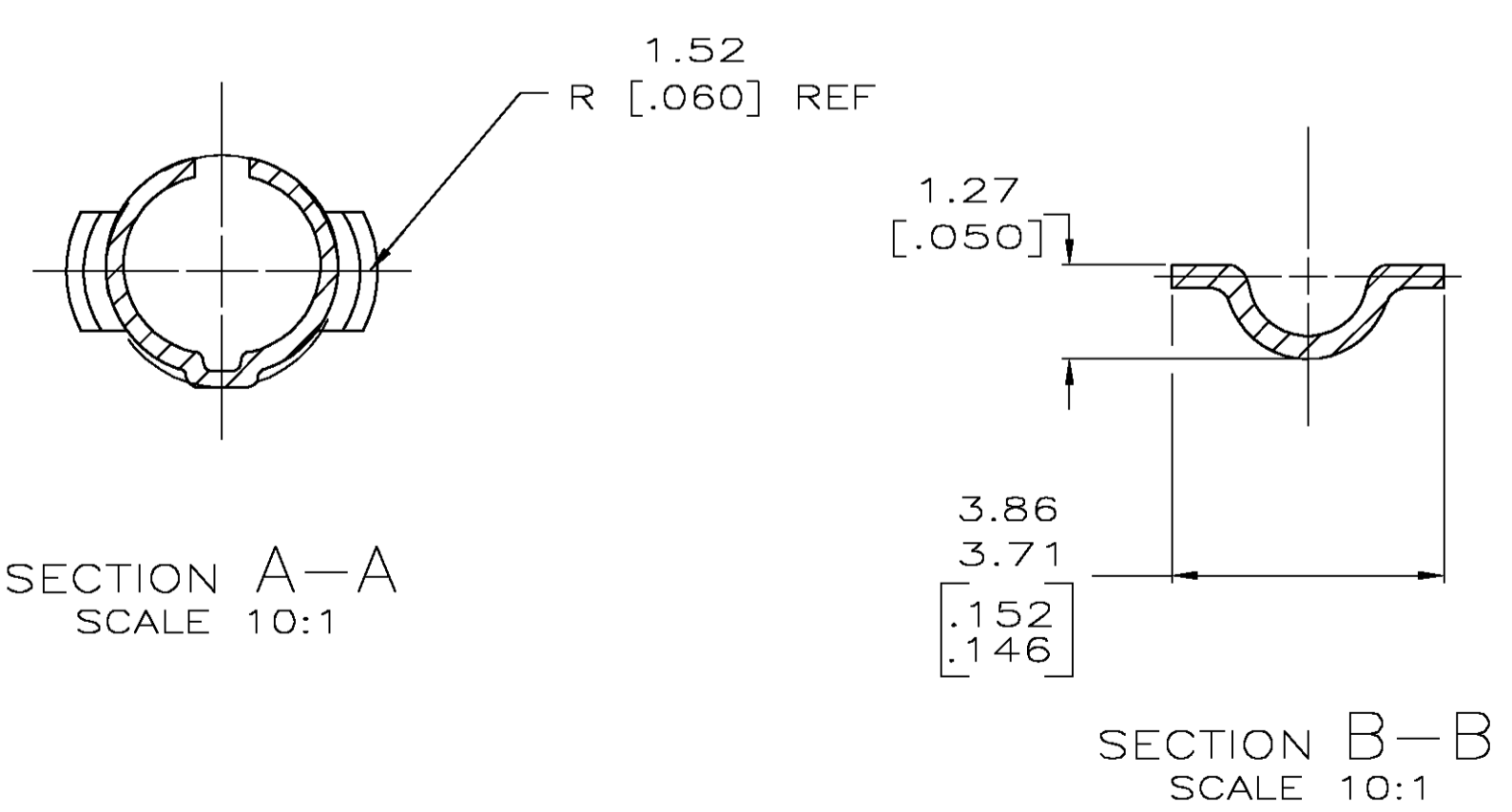
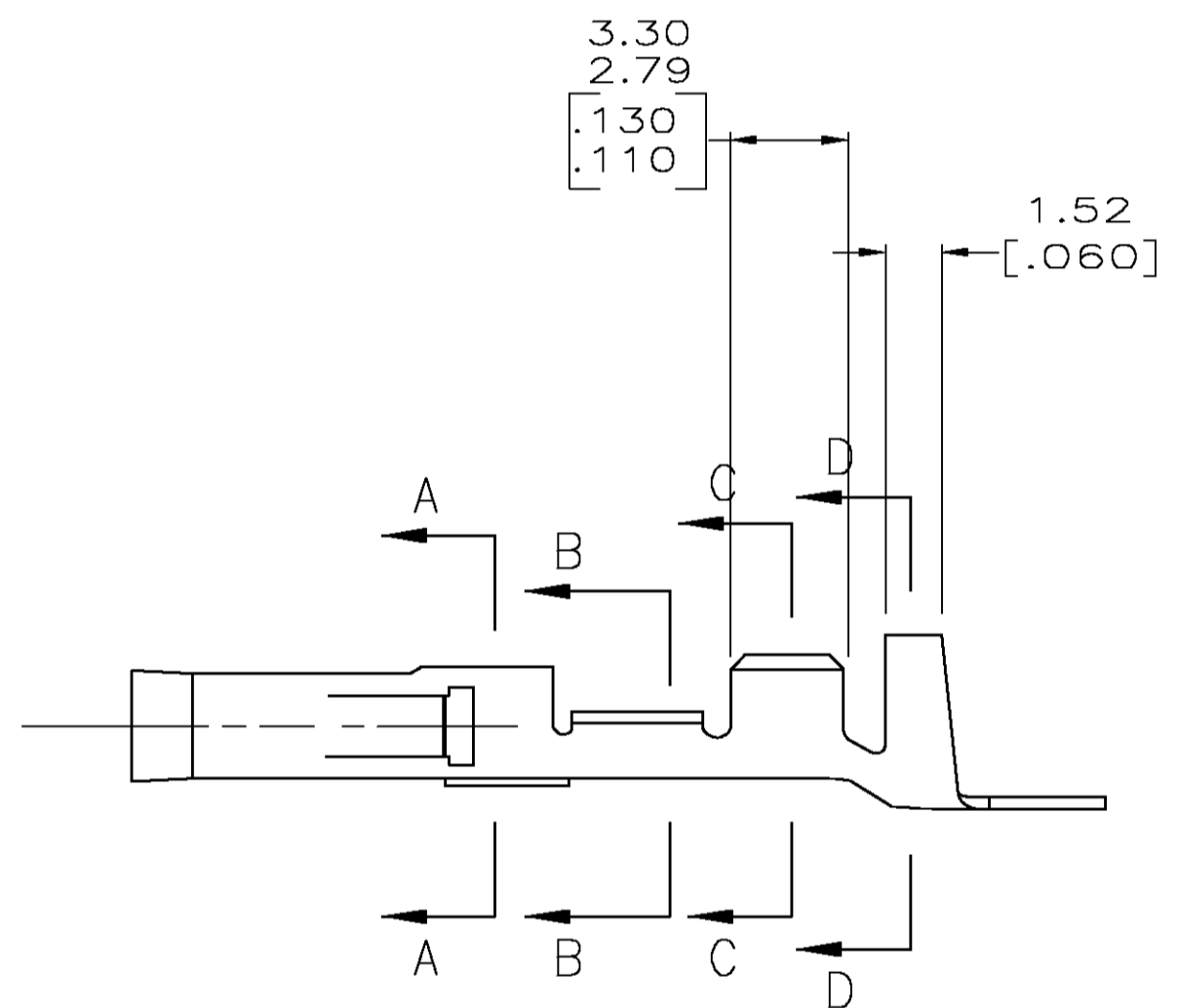
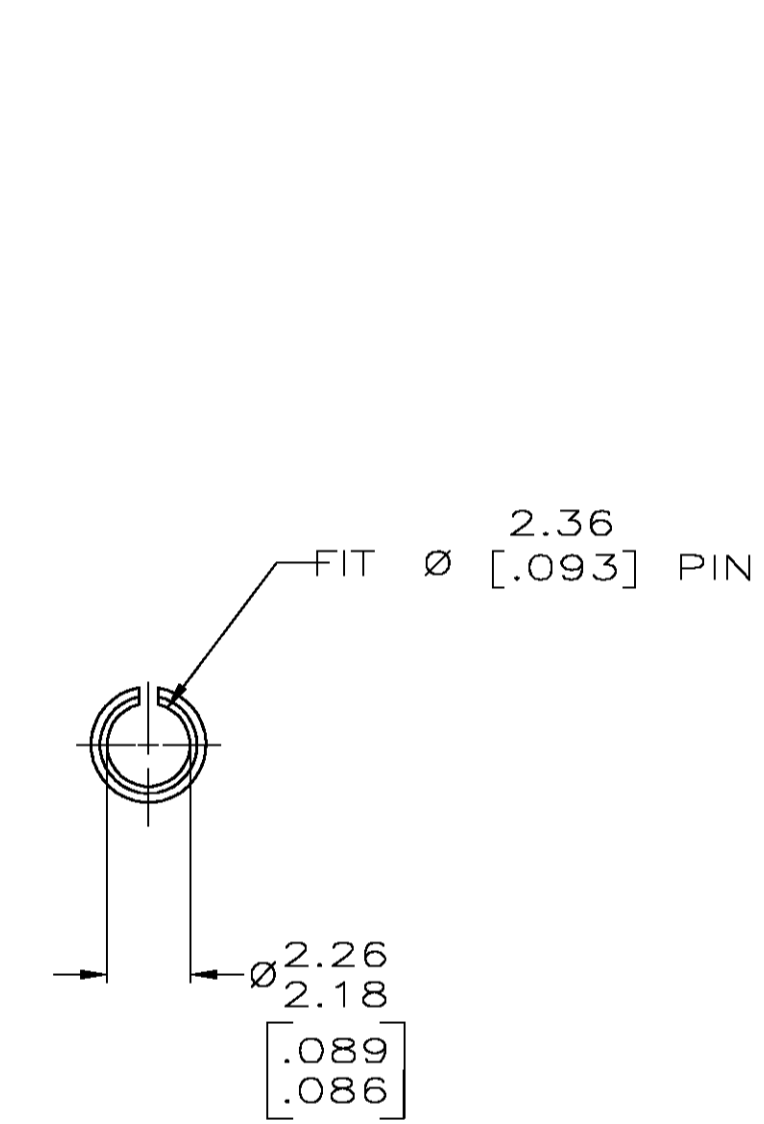


LOC		DIST		REVISIONS			
P	LR	DESCRIPTION	DATE	DRN	APPD		
M		REVISED PER 063B-0144-04	17JUN04	KW	DS		



- INSULATION RANGE- 4.57 [.180] MAX DIA.
WIRE RANGE- 0.6-2mm² [20-14] AWG.
- NOT RECOMMENDED FOR USE IN 1,5,6,9,12,&15 POSITION STANDARD 2.36 [.093] COMMERCIAL PIN & SOCKET HOUSINGS WITH INSULATION DIAMETERS GREATER THAN 4.06 [.160]
- DIMENSIONS IN BRACKETS ARE IN INCHES.



770529-1
PART NUMBER

METRIC

THIS DRAWING IS A CONTROLLED DOCUMENT.		DRN K. WHITAKER 17JUN04		Tyco Electronics Corporation Greensboro, NC 27409	
DIMENSIONS: mm [NCHES]		CHK D. COLEY 17JUN04		NAME D. COLEY 17JUN04	.093 SOCKET, COMMERCIAL PIN AND SOCKET
TOLERANCES UNLESS OTHERWISE SPECIFIED:		APPLICATION SPEC		SIZE A1	CAGE CODE 00779
0 PLC ± -		RESTRICTED TO		DRAWING NO 770529	
1 PLC ± -		MATERIAL		CUSTOMER DRAWING	
2 PLC ± -		WEIGHT		SCALE 1:1	
3 PLC ± .005		SHEET 1 OF 1		REV M	
4 PLC ± ± 0.30°		FINISH			