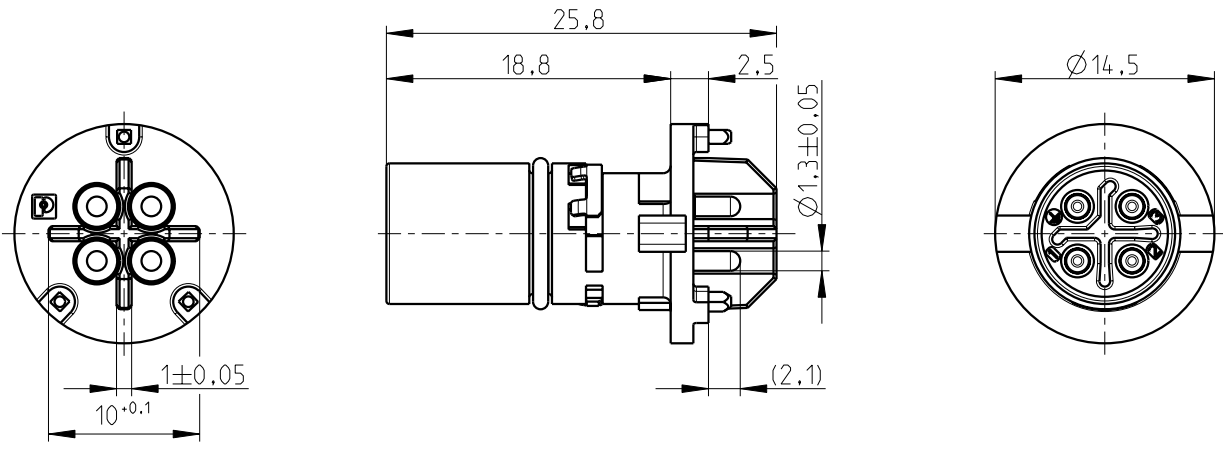


The copying, distribution and utilization of this document as well as the communication of the contents to others without expressed authorization is prohibited according to §18 UWG German Law. Offenders will be held liable for the payment of damages according to §19 UWG German Law. All rights reserved, in particular the right to carry out patent, utility model or ornamental design registrations.

Weitergabe sowie Vervielfältigung dieses Dokuments, Verwertung und Mitteilung seines Inhalts gem §18 UWG verboten, soweit nicht ausdrücklich gestattet. Zuwiderhandlungen verpflichten zu Schadensersatz (§19 UWG). Alle Rechte vorbehalten, insbesondere das Recht, Patent-, Gebrauchsmuster- oder Geschmacksmusteranmeldungen durchzuführen. CONINVERS GmbH Heisenbergstrasse 1 D-71083 Herrenberg

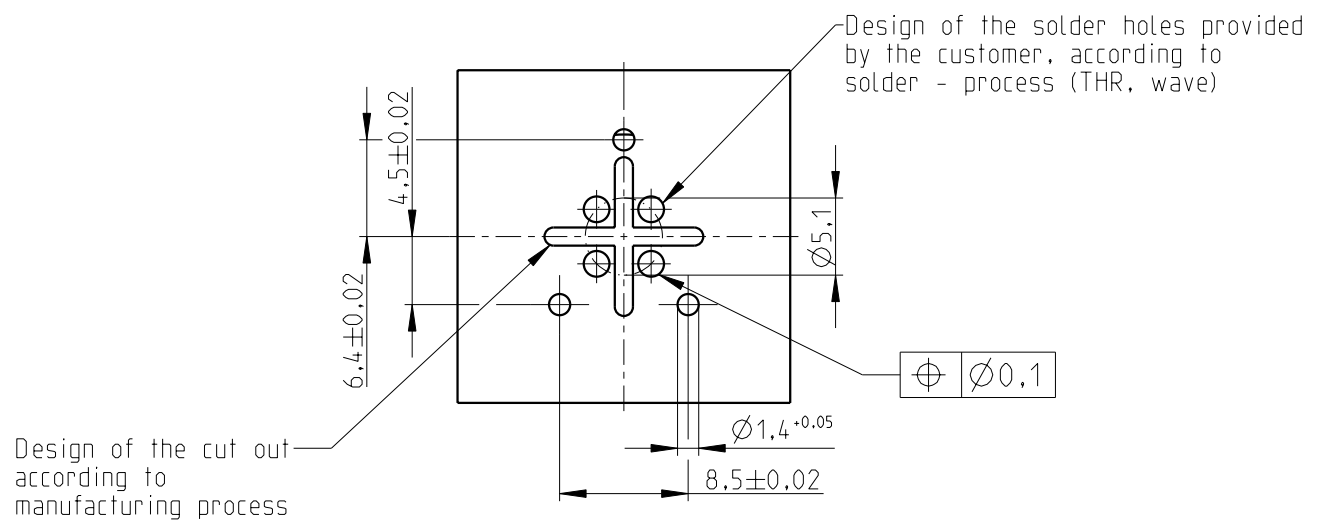
Mechanical data (according to IEC 61076-2-101)		Material	
no. of poles / coding	3+PE / S	contacts / surface	CuZn / Au
contact termination	dip solder / pin	contact carrier colour	PA4T black
contact-Ø	4xØ1,5mm	sealing gasket	FKM
temperature range	-40 °C / +105 °C		
protection class	IP 67		
mating cycles	>100		

further information:
- see technical data M12-4



All specified data refers to the mounted M12 installation plugs ≥ IP54 and requires that the connector pair be correctly plugged and locked. Influences from wires, cables or PCB mounting are also to be taken into consideration.

drilling plan component side (front view PC-Board)



general tolerance acc. to DIN ISO 2768-c		technical changes reserved		Index 3 / 2013-12-18		scale: 2:1	
design	date	name		Series DSIV M12-pin-contact-carrier 4-pole pin/S-coding/straight			
2012-10-25	Thumm						
chk.				page: 1 of: 1			
		order-no.:		1406410			
		article designation:		SACC-C I-M12MSS-4CON-L180 THR PE			
		doc.-no.:		00689862			