

Model No: BC25SC08-04

Rev: 1

Product Line: Tympany

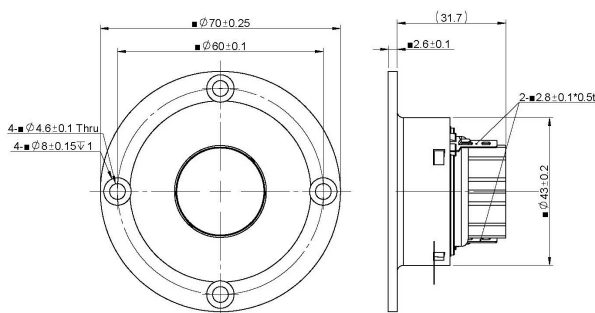
Last Update: 2017-04-21 12:39:42

Product Description

This BC family tweeter features a 4 ohm 25 mm voice coil, a damped fabric dome for smooth frequency response performance, and ferrofluid in the gap of the NdFeB motor, providing enhanced cooling of the voice coil. The tweeter comes with a compact faceplate with recessed mounting holes. A finned heat sink has been added for improved power handling.



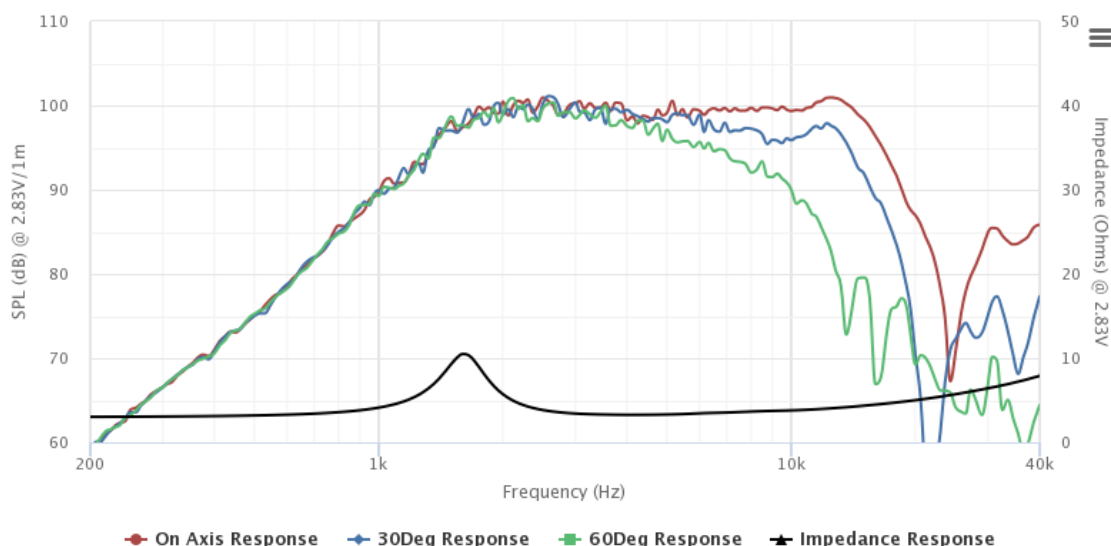
Mechanical Drawing



Specifications

| | | | | | | | |
|-------------------------------|-------------|--------|---------|-----------|----------------------------|---------|--------------------------|
| DC Resistance | Revc | Ohms | 2.79 | 5.0% | Energy Bandwidth Product | EBP | (1/Qes)*fs |
| Minimum Impedance | Zmin | Ohms | 3.27 | 7.5% | Moving Mass | Mms | g |
| Voice Coil Inductance | Le | mH | 0.02 | | Suspension Compliance | Cms | um/N |
| Resonant Frequency | Fs | Hz | 1663.19 | 15% | Effective Cone diameter | D | cm |
| Mechanical Q Factor | Qms | | 4.93 | | Effective Piston Area | Sd | cm ² |
| Electrical Q Factor | Qes | 1.53 | | | Effective Volume | Vas | L |
| Total Q Factor | Qts | 1.17 | | | Motor Force Factor | BL | Tm |
| Ratio Fs/Qts | F | Fs/Qts | 1425.19 | | Motor Efficiency Factor | β | (T*M ²)/Ohms |
| Half Space Sensitivity @2.83V | db@2.83V/1M | dB | 98.77 | +/- 1.0db | Voice coil former Material | VCfm | KSV |
| Half Space Sensitivity @1W/1M | db@1W/1M | dB | 94.9 | +/- 1.0db | Voice coil inner diameter | VCd | mm |
| Gap Height | Gh | mm | 2 | | Rated Noise Power | P | W |
| Maximum Linear Excursion | Xmax | mm | 0 | | Test Spectrum Bandwidth | | 2.5kHz-20kHz |
| Ferrofluid Type | FF | | APG027N | | Driver Size | Inch | 25 mm |
| Driver Mass | Kg | 0.08 | | | | | |

Frequency and Impedance Response



Highcharts.com