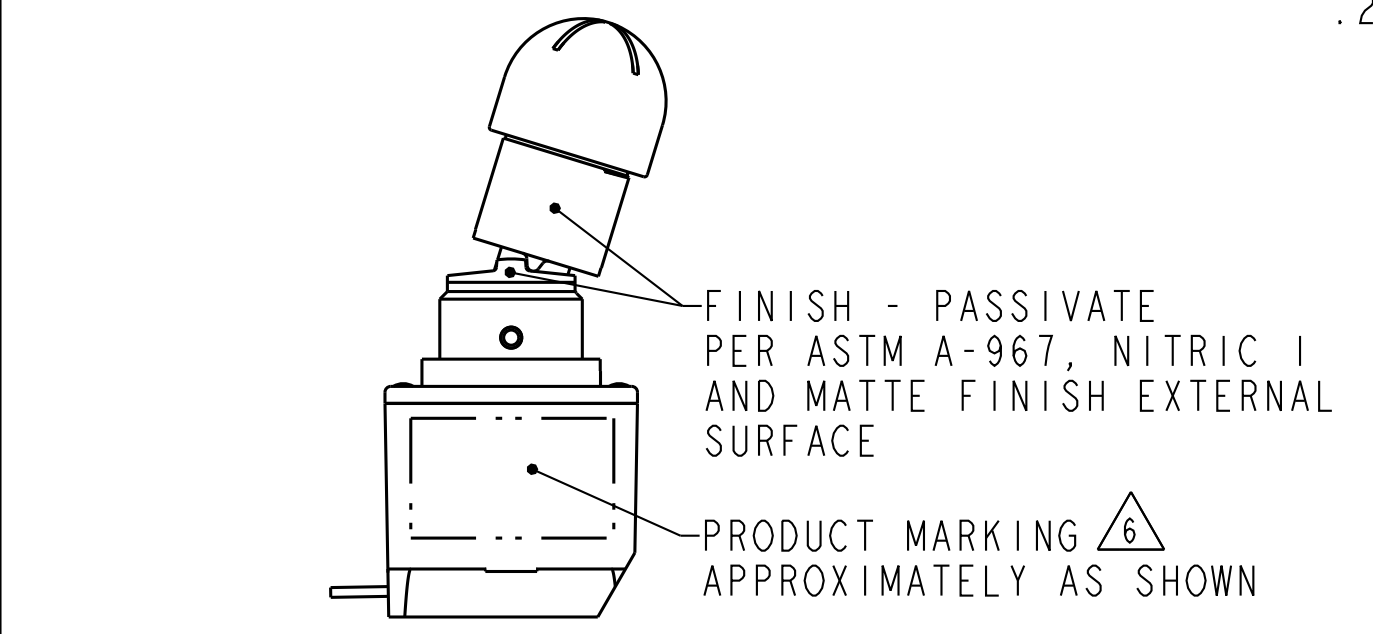
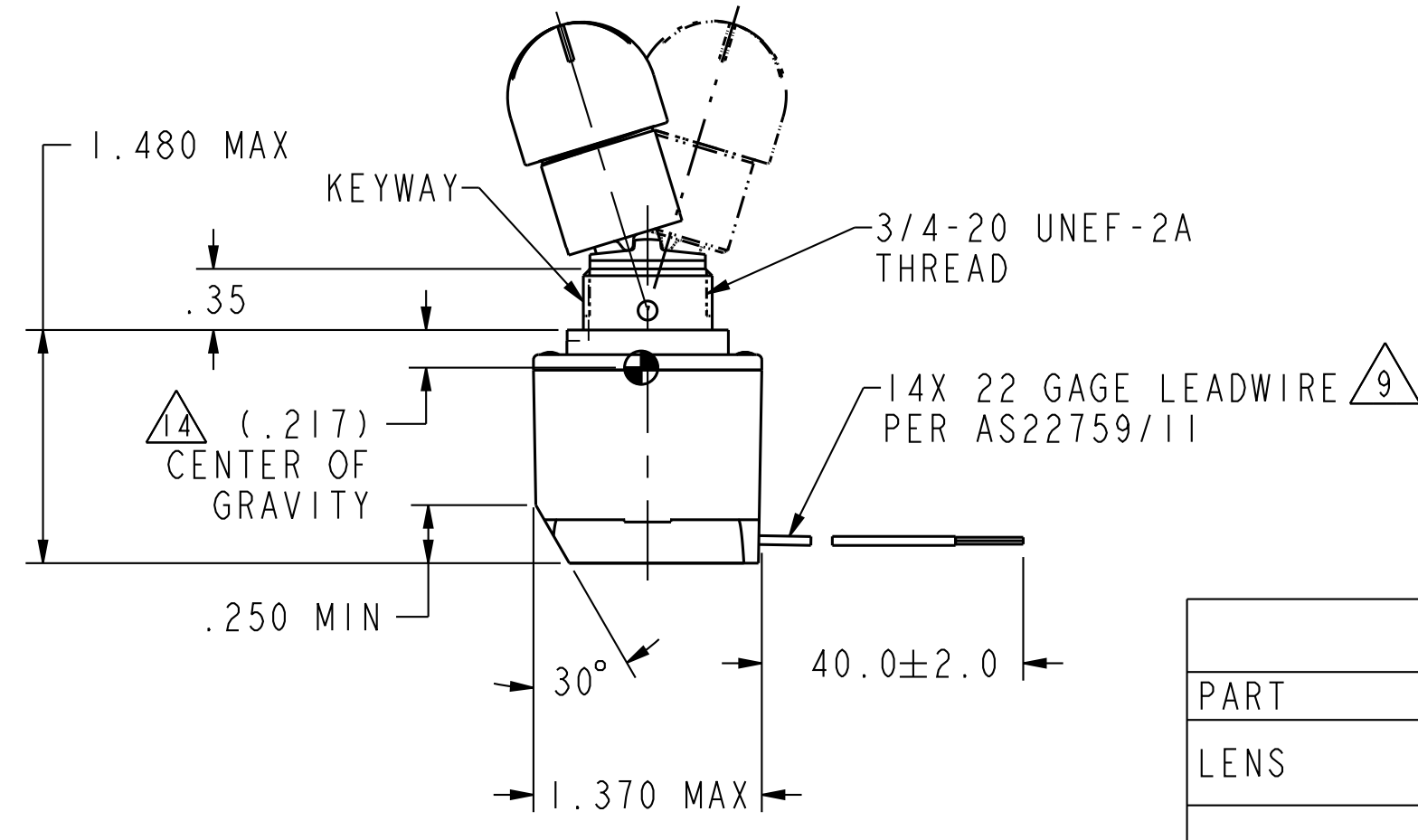
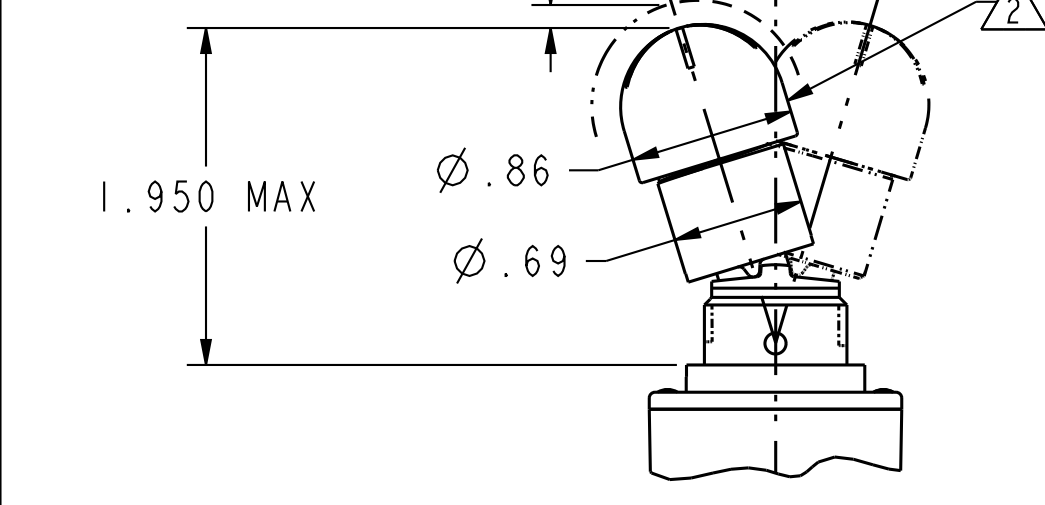
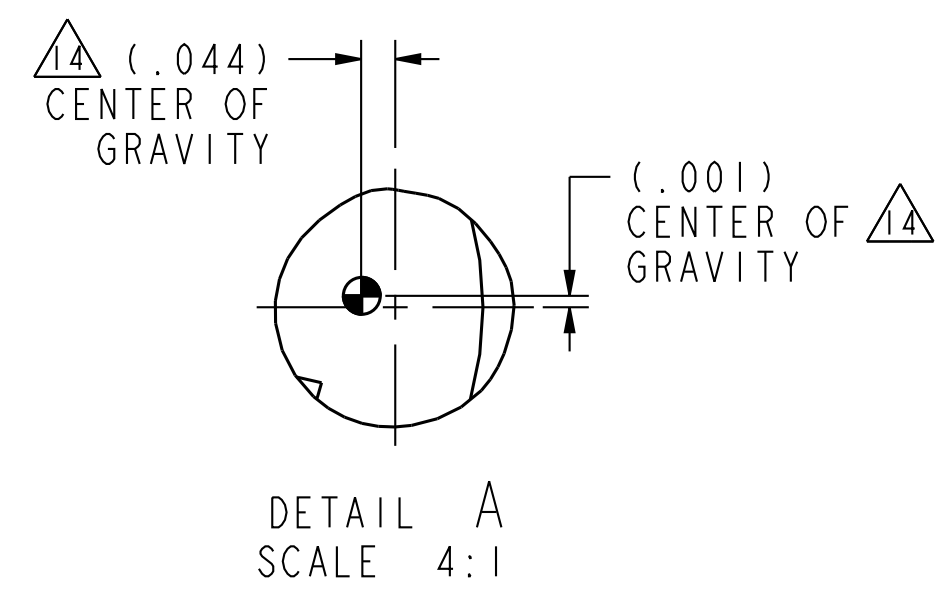
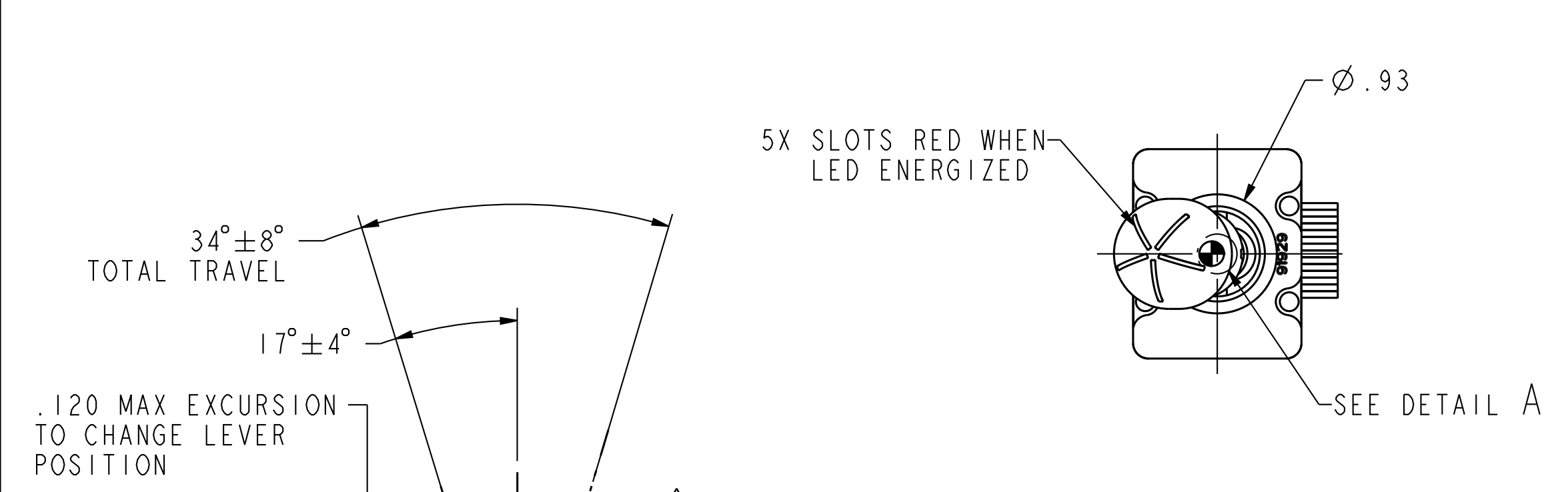
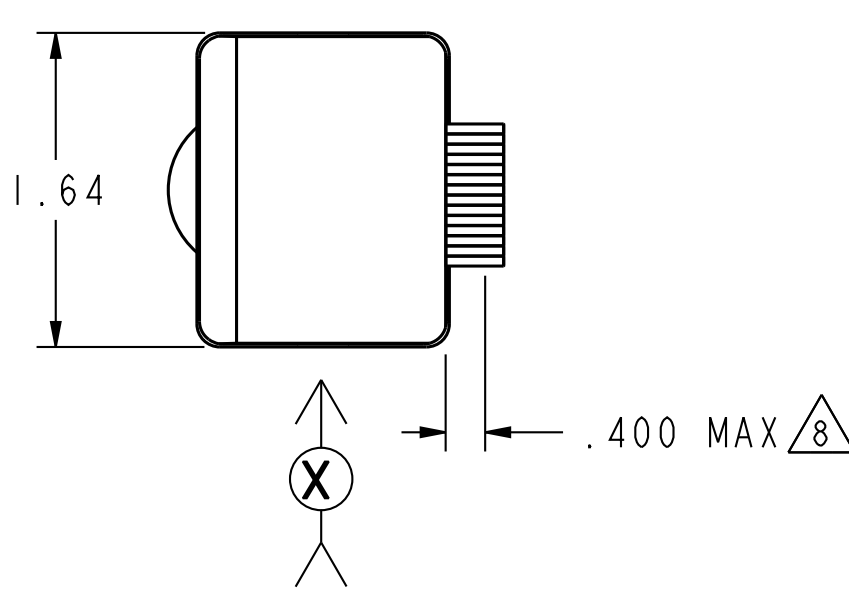


PART NUMBER  
4TL838-3D

REVISION HISTORY					
REV	DOCUMENT	DESCRIPTION	CHGD BY	DATE	APPROVED
A	0102624	INITIAL RELEASE	SJK	2013-07-23	M. SHAKIL
B	0107272	REVISED PER ECO	SJK	2014-01-23	M. BROSE
C	0109666	REVISED PER ECO	SBH	2014-04-22	M. BROSE
D	0111269	UPDATED WASHER SPEC, ZONE-B5	SJK	2014-06-09	M. BROSE



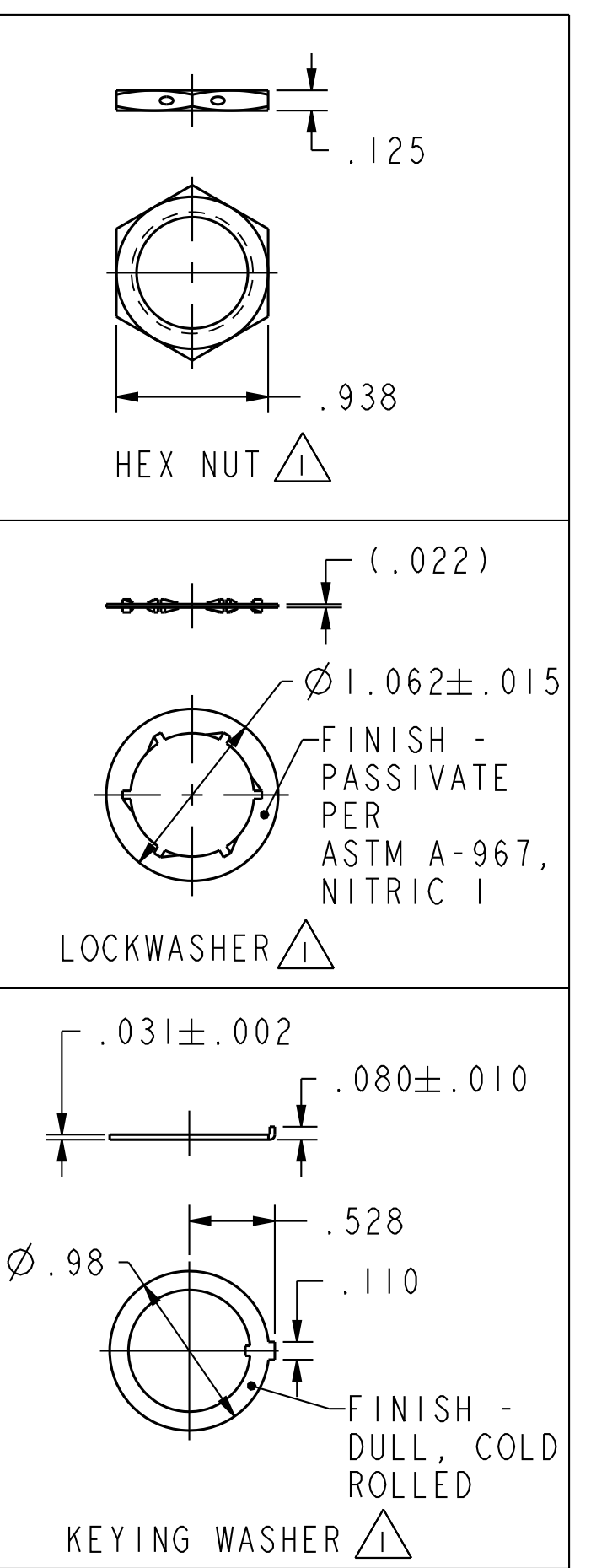
VIEW IN THE DIRECTION ARROW X (ROTATED 180° CW)



MATERIAL AND FINISH		
PART	COLOR	FINISH
LENS	POLYCARBONATE (RED)	MATTE
BUTTON	30% GLASS FILLED, FLAME RETARDANT PBT (BLACK)	MATTE
LEVER/INSERT	416SST	MATTE
BUSHING	303SST	AS MACHINED
HARDWARE		
WASHER-SPEC	304SST	DULL COLD ROLLED
NUT	303SST	AS MACHINED
WASHER-LOCK	410SST	AS BLANKED

CIRCUIT IDENTIFICATION CHART					
LEVER ON KEYWAY SIDE			LEVER ON OPPOSITE SIDE		
3	2	1	3	2	1
6	5	4	6	5	4
9	8	7	9	8	7
12	11	10	12	11	10
14 (+)	LED	13 (-)	14 (+)	LED	13 (-)

PERFORMANCE DETAILS		
TEST	STANDARD	VALUE
SHORT TIME OPERATING LOW TEMPERATURE & GROUND SURVIVAL LOW TEMPERATURE	DO160F SECTION 4.5.1	-40°C -55°C
LOW OPERATING TEMPERATURE	DO160F SECTION 4.5.2	-15°C
SHORT TIME OPERATING HIGH TEMPERATURE & GROUND SURVIVAL HIGH TEMPERATURE	DO160F SECTION 4.5.3	+70°C +85°C
HIGH OPERATING TEMPERATURE	DO160F SECTION 4.5.4	+55°C
MAXIMUM OPERATING ALTITUDE	DO160F SECTION 4.6.1	+15000 ft
DECOMPRESSION TEST ALTITUDE	DO160F SECTION 4.6.2	+51000ft
OVERPRESSURE TEST ALTITUDE	DO160F SECTION 4.6.3	170 kPa
TEMPERATURE VARIATION	DO160F SECTION 5	CAT C
HUMIDITY	DO160F SECTION 6	CAT A
OPERATIONAL & CRASH SAFETY SHOCK	DO160F SECTION 7	CAT B
VIBRATION TEST	DO160F SECTION 8	CAT S, CURVE B
WATER PROOF	DO160F SECTION 10	CAT W
FLUIDS SUSCEPTIBILITY	DO160F SECTION 11	CAT F AND FLUIDS AS LISTED IN QTP 709410-103
ELECTROSTATIC DISCHARGE	DO160F SECTION 25	CAT A



- NOTES:
- 1 - 1X EACH FURNISHED UNASSEMBLED.
  - 2 - LEVER LOCKED OUT OF CENTER POSITION.
  - 3 - 28 VOLTS T-1 3/4 LED FURNISHED IN LEVER KNOB.
  - 4 - LED TERMINALS ARE 13 (NEGATIVE) AND 14 (POSITIVE).
  - 5 - SWITCHES ARE CAPABLE OF WITHSTANDING A TEMPERATURE OF 131°F CONTINUOUSLY AT FULL RATED LOAD.
  - 6 - CATALOG LISTING, DATE CODE AND CIRCUITRY TO BE LASER MARKED ON SIDE OF SWITCH.
  - 7 - BUSHING IS SEALED TO PREVENT ENTRY OF NON TOXIC LIQUID SPILLS.
  - 8 - EPOXY BUILD UP ALLOWED ON WIRES ONLY.
  - 9 - LEADWIRES: INSULATION - POLYTETRAFLUOROETHYLENE (PTFE), SILVER COATED COPPER CONDUCTOR. LEADWIRES ARE HOT STAMPED WITH CIRCUIT IDENTIFICATION AND WIRE GAGE (1-22, 2-22, ETC) AT 2 INCH INTERVALS AS PER MIL-W-5088
  - 10 - COMPLETE ASSEMBLIES SHALL BE INSPECTED PER APPLICABLE HONEYWELL INSPECTION CONTROL PLAN (ATP DOCUMENT # 709410-100).
  - 11 - SWITCH MATERIALS EXPOSED IN FRONT OF PANEL HAVE COLOR AND FINISH AS SHOWN ON CHART.
  - 12 - GOLD PLATED CONTACTS.
  - 13 - QTP REF DOCUMENT # 709410-106
  - 14 - CENTER OF GRAVITY SHOWN IN DRAWING EXCLUDES CABLES, CONSUMABLES, SHRINK SLEEVES.
  - 15 - ELECTRICAL ENDURANCE OF THE SWITCH PERFORMED AS PER MIL-DTL-3950
  - 16 - INDIVIDUAL SWITCHING CIRCUITS INITIALLY USED TO CARRY POWER LOADS SHALL NOT SUBSEQUENTLY BE USED TO CARRY LOGIC LEVEL LOADS.

CATALOG LISTING	CIRCUIT MADE WITH TOGGLE LEVER IN			ELECTRICAL DATA	
	KEYWAY SIDE	CENTER	OPPOSITE KEYWAY		
4TL838-3D	ON	NONE	ON	3.5-14.0 VDC	4.1mA RESISTIVE, 28 VDC
					7 AMPS RESISTIVE 4 AMPS INDUCTIVE 2 AMPS MOTOR

UNLESS OTHERWISE SPECIFIED DIMENSIONS ARE IN INCHES  
DECIMAL TOL  
1 PLACE --- ±.040  
2 PLACE --- ±.010  
3 PLACE --- ±.005  
ANGULAR TOL - ±2° CHAMFER -

THIRD ANGLE PROJECTION

**Honeywell**

TITLE  
**SWITCH, TOGGLE**

SIZE	CAGE CODE	DWG NO	TYPE	REV
D	91929	4TL838-3D	I	D

SCALE: 1:1 REF WT: 10.5 OUNCE MAX SHEET 1 of 1

RELEASE DATE: 2013-07-23  
DRW: K. SHRIRAM  
RDE: K. BALAJI  
QA: J. BALDAZZI  
CHK: M. SHAKIL

APPLICABLE DOCUMENTS: ASME Y14.100-2004  
ASME Y14.5-2009

COMPUTER GENERATED DRAWING: PRO/ENGINEER

**HONEYWELL CONFIDENTIAL**  
THIS DOCUMENT CONTAINS PROPRIETARY INFORMATION AND SUCH INFORMATION MAY NOT BE DISCLOSED TO OTHERS FOR ANY PURPOSE, NOR USED FOR MANUFACTURING PURPOSES WITHOUT WRITTEN PERMISSION FROM HONEYWELL