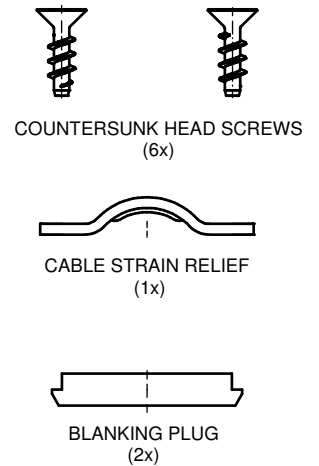
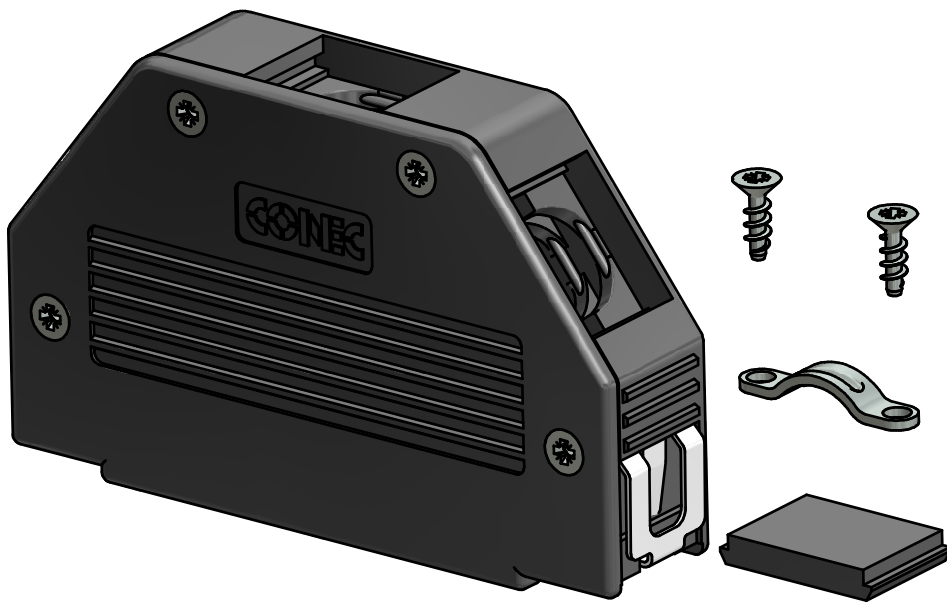
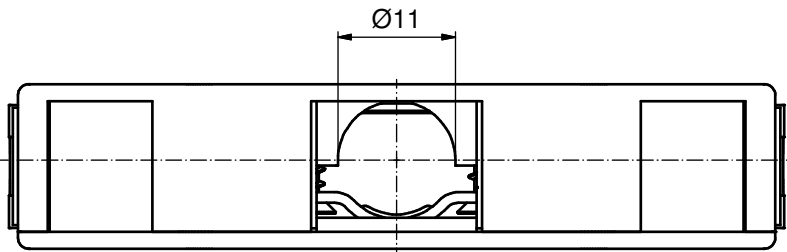
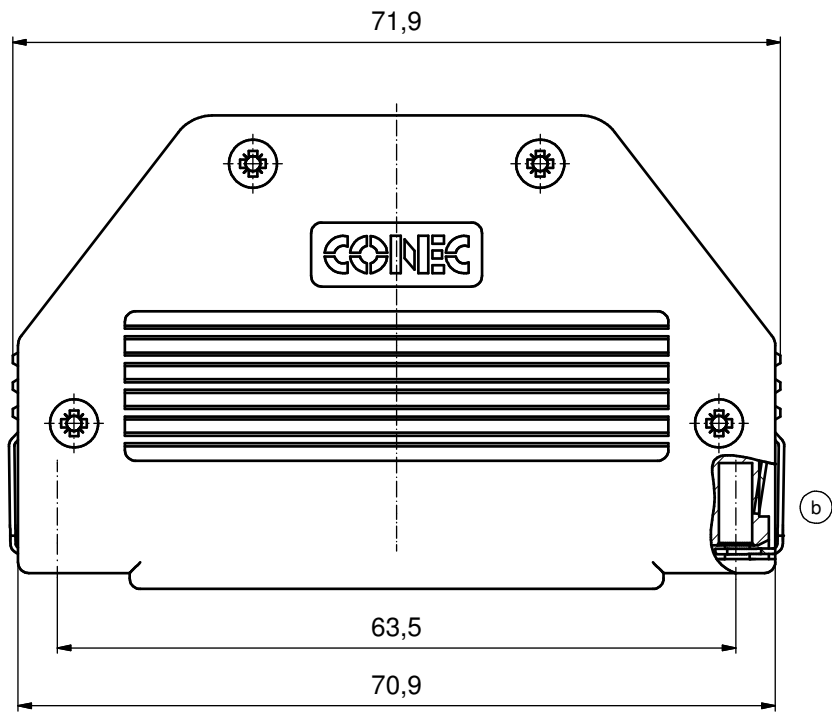
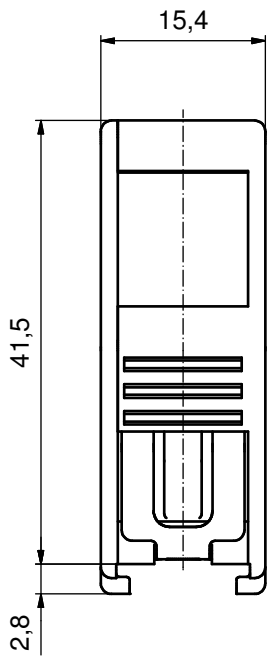
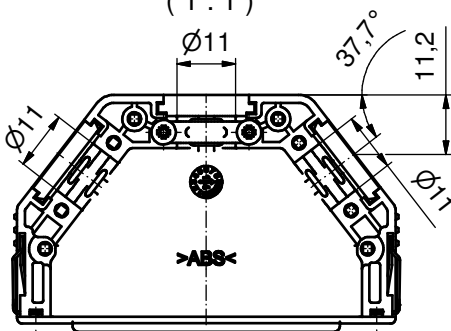


6 5 4 3 2 1



view without cover (1:1)



RoHS compliant

Part-No.	Part-No.
Bulk package	Single package
16-001840	16-001840E

- HOOD ASSEMBLY CONSISTS OF:**
- (b) 1. HOOD + COVER: ABS UL 94 V-0; BLACK
 - 2. BLANKING PLUGS: ABS UL 94 V-0; BLACK
 - 3. CABLE STRAIN RELIEF: STEEL; NICKEL PLATED
 - 4. CLIP: STAINLESS STEEL
 - 5. COUNTERSUNK HEAD SCREWS: STEEL; NICKEL PLATED

THIS DRAWING MAY NOT BE COPIED OR REPRODUCED IN ANY WAY, AND MAY NOT BE PASSED ON TO A THIRD PARTY WITHOUT WRITTEN PERMISSION. OWNERSHIP AND COPYRIGHT OF CONEC GmbH DO NOT ALTER CAD DRAWING BY HAND	tolerance		dim. in mm		scale: 2:1 (1:1)	
	material:		see drawing			
	drawn	13.11.12	Strakerjahn	title: Plastic Hood 37pos with Snap Lock / top and two sides cable exit		
	appd.	06.05.14	Koch			
2 x b	Ä5619	22.04.2015	K.H.	d-old	SK0823Y15	dwg no:
3 x b	Ä5357	25.09.2014	K.H.			DIN-A3
a	Original					sh: 1
rev.	description	date	name	CONEC		part no: (c) (b) SEE TABLE

6 5 4 3 2 1