

4

3

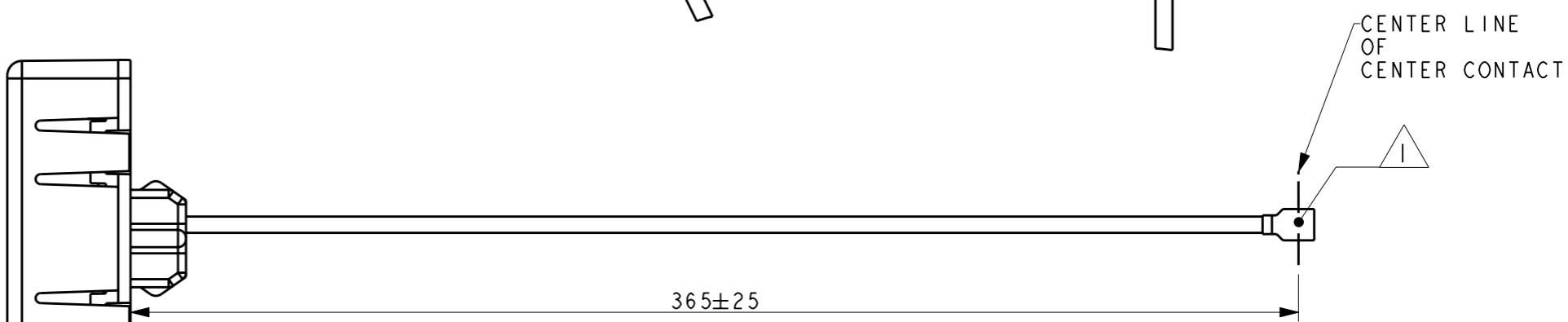
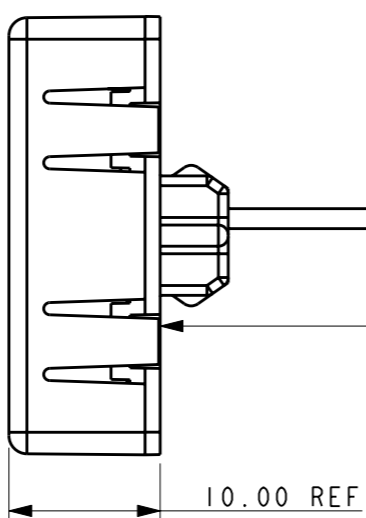
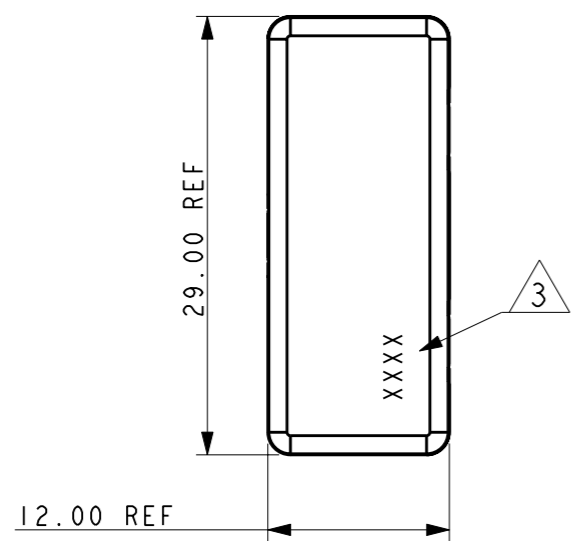
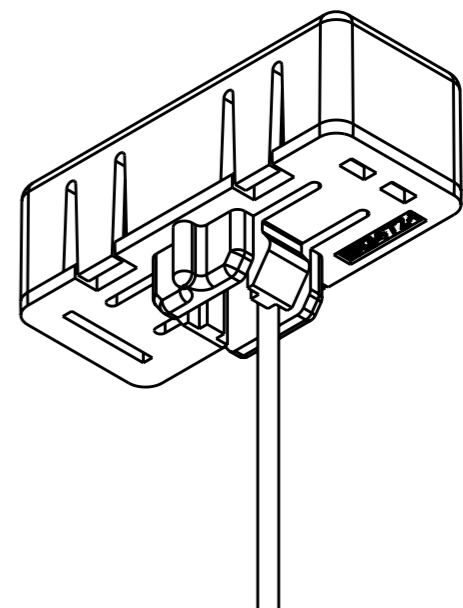
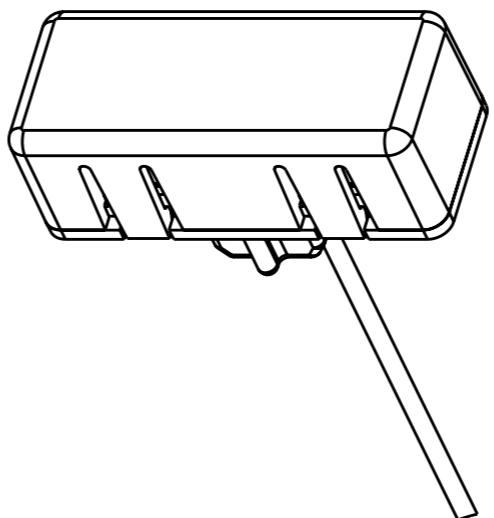
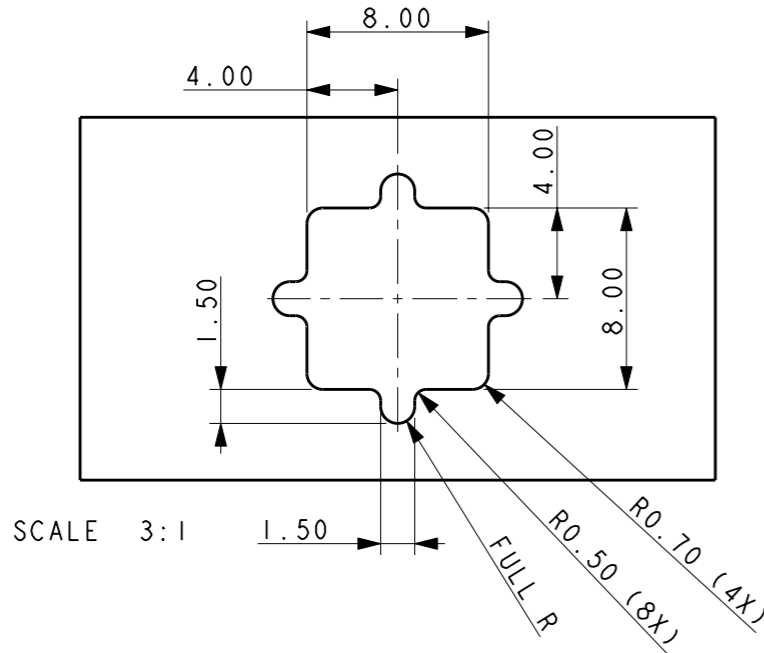
2

1

THIS DRAWING IS UNPUBLISHED. RELEASED FOR PUBLICATION
© COPYRIGHT - BY TYCO ELECTRONICS CORPORATION. ALL RIGHTS RESERVED.

LOC	DIST	REVISIONS			
P	LTR	DESCRIPTION	DATE	DWN	APVD
AJ	00	A	RELEASE	31AUG2010	DW GG

PANEL CUTOUT DIMENSIONS (Tolerances .XX ±0.1)



ORDER P/N 1513381-1

NOTES: UNLESS OTHERWISE SPECIFIED.

- 1 MINI COAX CABLE DIAMETER 1.13 mm TERMINATED WITH U.FL CONNECTOR.
- 2. COMPONENTS AND ASSEMBLY ARE COMPLIANT TO RoHS STANDARDS.
- 3 4 DIGIT DATE CODE IN THIS AREA. FIRST 2 DIGITS DESIGNATE THE YEAR CODE AND THE THIRD AND FORTH DIGITS DESIGNATE THE WEEK.

THIS DRAWING IS A CONTROLLED DOCUMENT FOR TYCO ELECTRONICS CORPORATION IT IS SUBJECT TO CHANGE AND THE CONTROLLING ENGINEERING ORGANIZATION SHOULD BE CONTACTED FOR THE LATEST REVISION.		DWN DHW	29MAR2010	Tyco Electronics Rochester, NY 14623	
DIMENSIONS: mm		CHK -	-	NAME UNIVERSAL ANTENNA MODULE (UAM) WLAN	
TOLERANCES UNLESS OTHERWISE SPECIFIED: 0 PLC ±. 1 PLC ±. 2 PLC ±. 3 PLC ±. 4 PLC ±. ANGLES ±.		APVD -	-	RESTRICTED TO -	
MATERIAL -		PRODUCT SPEC -	-	SIZE A3	CAGE CODE -
FINISH -		APPLICATION SPEC -	-	DRAWING NO C-1513381	SCALE 2:1
		WEIGHT -	-	SHEET 1 OF 1 REV A	
		CUSTOMER DRAWING			