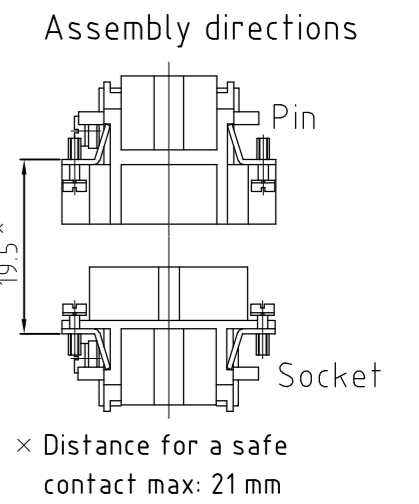
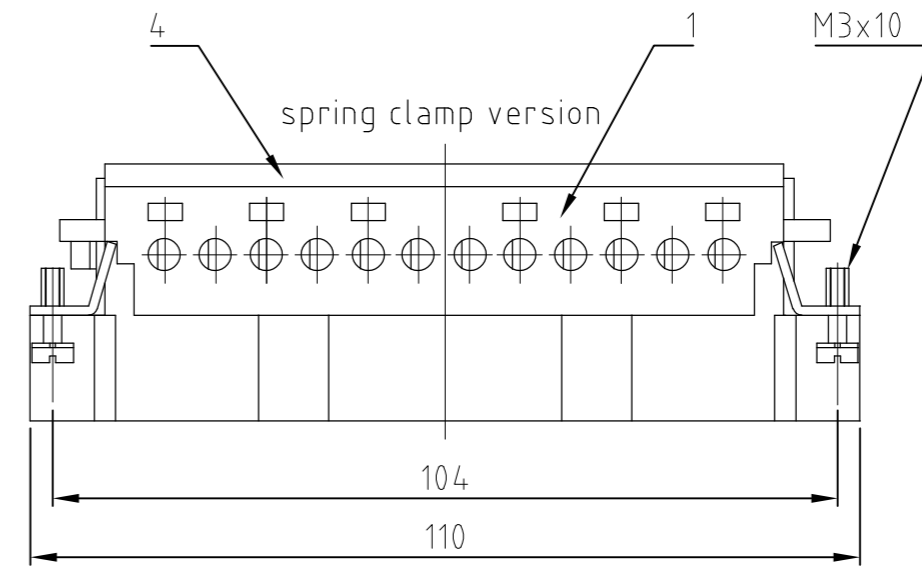
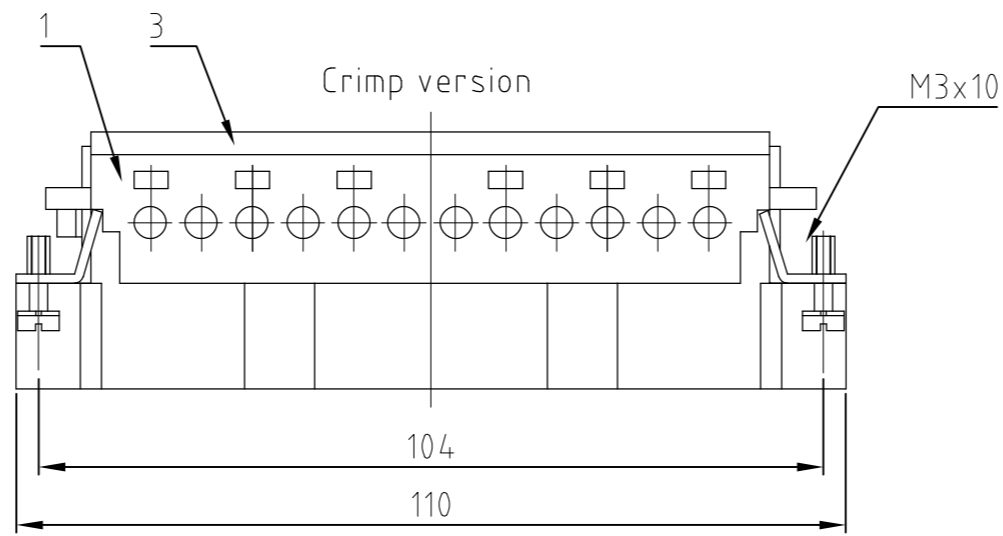
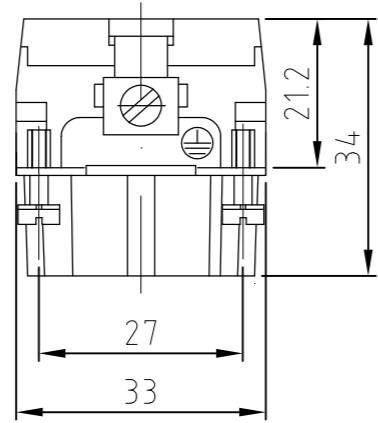
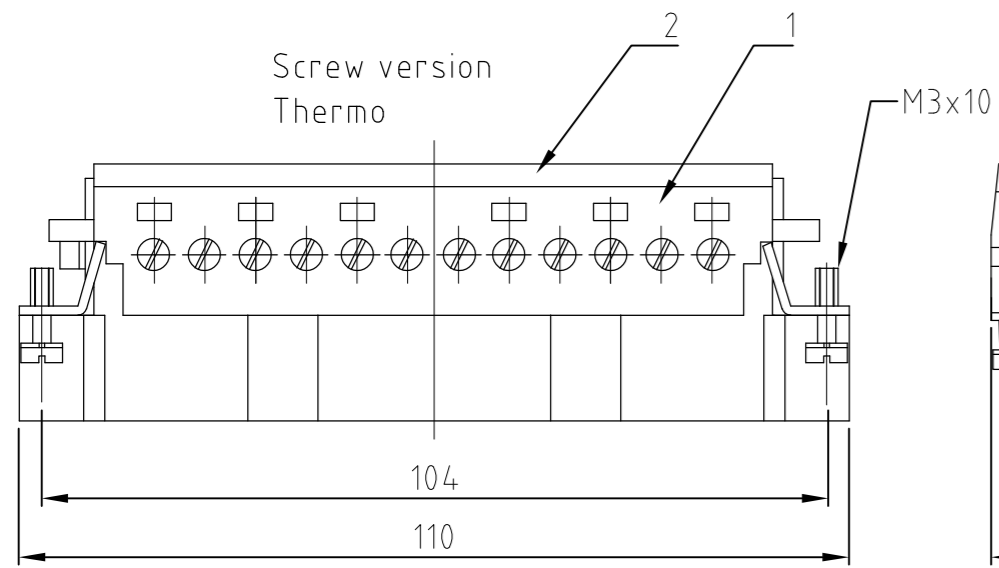


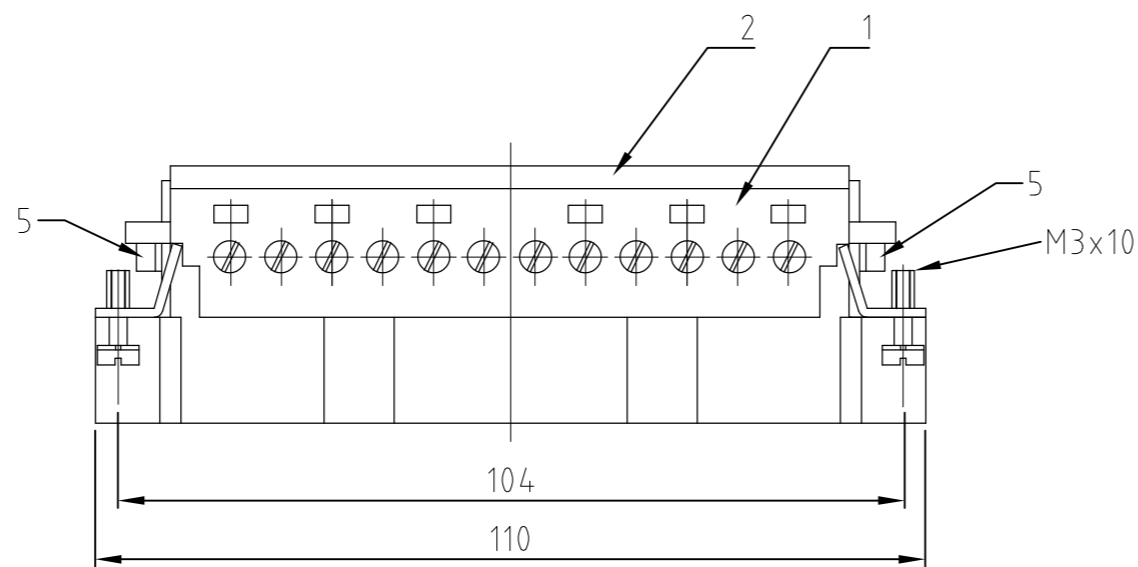
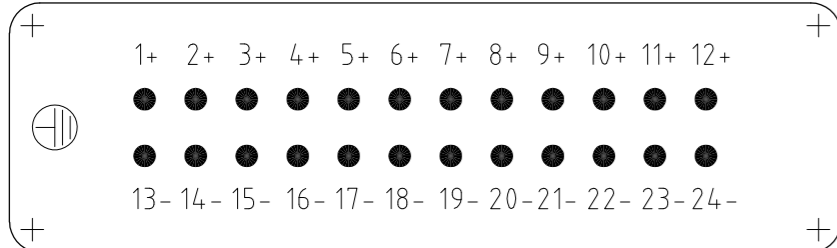
THIS DRAWING IS UNPUBLISHED. RELEASED FOR PUBLICATION
 © COPYRIGHT BY TYCO ELECTRONICS CORPORATION. ALL INTERNATIONAL RIGHTS RESERVED.

Loc		DIST		REVISIONS			
P	LTR	DESCRIPTION	DATE	DWN	APVD		
E1		text for packaging corrected	ECR-08-001868	23.01.08	SR	ST	
E2		REVISED PER ECO-11-002591		15FEB11	HMR	MM	

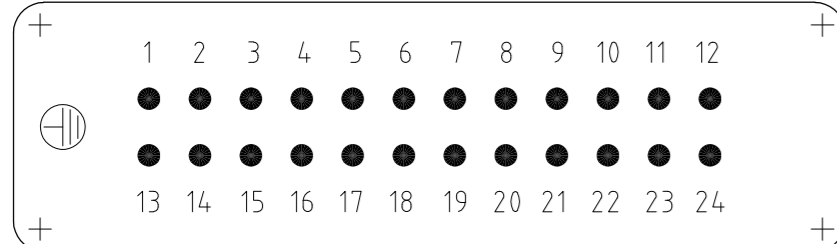


Contact arrangement view from termination side

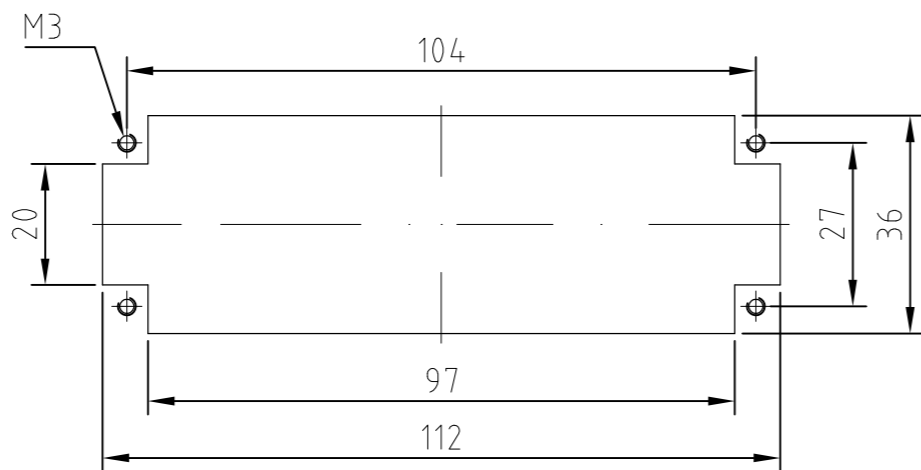
Printing 1-24 Thermo



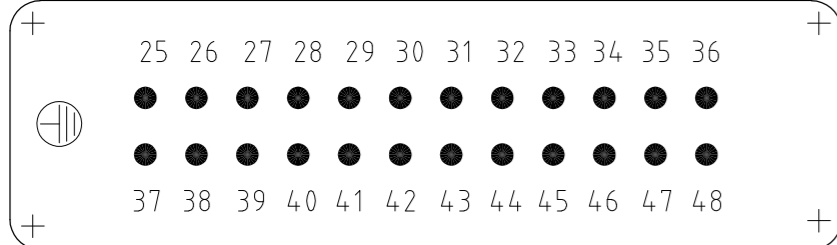
Printing 1-24 Screw



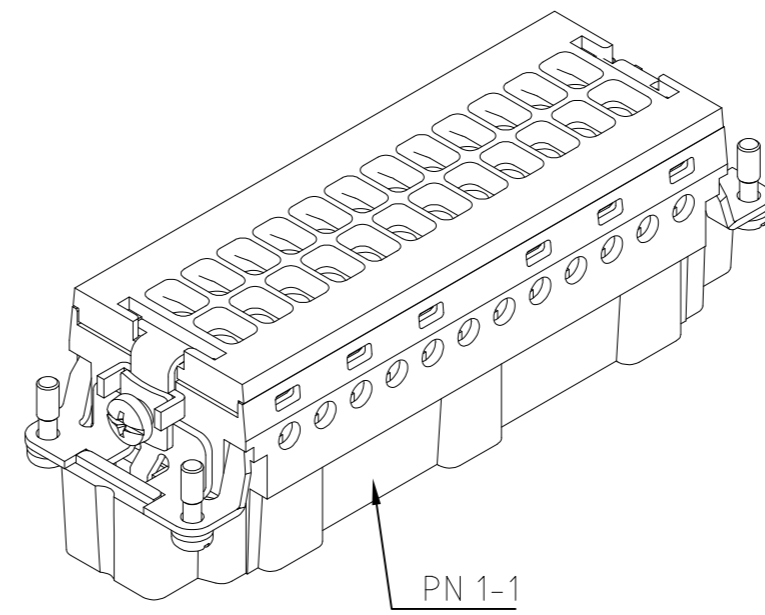
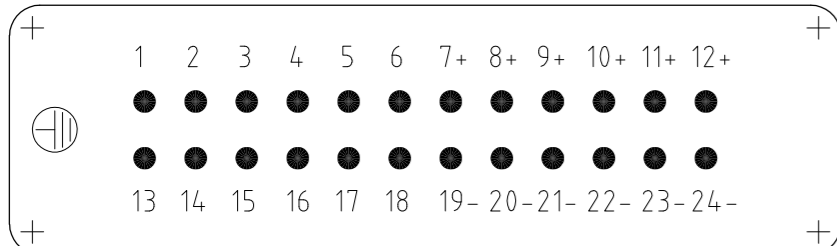
Panel cut-out for contact insert when used without housing



Printing 25-48 Screw



Printing 12+6+6 Screw/Thermo



NOTES:

- SUITABLE CRIMP CONTACTS: SERIES HE/HA
OUTER DIMENSIONS OF INSULATION: MAX. Ø3,2 MM
 - SUITABLE HOOD SIZE 8; 12: SERIES HB; HD; HIP; EMV
SUITABLE INSERTION AND EXTRACTION TOOL:
SCREWDRIVER 0,5x3 DIN 5264
 - Strip lenght: Screw conection 10mm
Spring clamp conection 10mm Crimp conection 7.5mm
 - STANDARDS:
DIN EN 61984; DIN EN 60664-1
- ⚠ PACKAGING:
5 SETS IN A CARTON, PRE-MOUNTED
- ⚠ SPECIAL PACKAGING: Krauss-Maffei
PACKAGING UNIT: 220 PIECES

QTY	DESCRIPTION	MATERIAL	COLOR / FARBE	ITEM NO. POS.	NOTES
2	cylinder screw	steel	blue	5	M4x6
1	cover spring clamp version		light grey	4	
1	cover crimp version		light grey	3	
1	cover screw version		light grey	2	
1	pin insert		light grey	1	

THIS DRAWING IS A CONTROLLED DOCUMENT.		DWN 08.02.2000	Tyco Electronics Corporation Harrisburg, Pa 17105-3608
DIMS: mm		CHK 08.02.2000	
TOLERANCES UNLESS OTHERWISE SPECIFIED: GENERAL TOLERANCES h: ISO 2768 - mh - E D: DIN 16901 - 140		APVD -	
MATERIAL		PRODUCT SPEC	
FINISH		APPLICATION SPEC	NAME
WEIGHT		WEIGHT	SIZE CAGE CODE DRAWING NO
CUSTOMER DRAWING		SCALE 1:1	SHEET 1 OF 1