

注) NOTES

1. 材質 MATERIAL  
 ハウジング : ガラス入りPPS、茶色、UL94V-0  
 HOUSING: G.F.PPS, BROWN, UL94V-0  
 ターミナル : 銅合金 (t=0.2)  
 TERMINAL: COPPER ALLOY

2. メッキ仕様 PLATING  
 接点部 : 金メッキ 0.25 µmMIN.  
 CONTACT AREA: GOLD 0.25 µmMIN.  
 半田付け部 : 錫メッキ 1.0 µmMIN.  
 SOLDER TAIL AREA: TIN 1.0 µmMIN.  
 下地メッキ : ニッケルメッキ 1.5 µmMIN.  
 UNDER-PLATING: NICKEL 1.5 µmMIN.

3. テールのバラツキ寸法 TAIL COPLANARITY  
 テール平坦度は 0.1MAX. とする。  
 TAIL COPLANARITY TO BE 0.1 MAX.  
 4. エンボス対応済みの極数については、SD-53481-002を参照下さい。  
 FOR THE EMBOSSED PACKAGE PRODUCTS, SEE SD-53481-002.  
 5. 本製品は53481-\*\*\*7の鉛フリー品である。  
 THIS PRODUCT IS LEAD FREE OF 53481-\*\*\*7.

7 mm	52760-***0
基板間寸法 STACKING HEIGHT	嵌合相手 TO BE MATED WITH

無し NO	34.72	38.62	33.62	31.15	53481-1068	53481-1067	100
有り YES	22.02	25.92	20.92	18.415	53481-0668	53481-0667	60
	18.85	22.75	17.75	15.24	53481-0568	53481-0567	50
	15.67	19.57	14.57	12.065	53481-0468	53481-0467	40

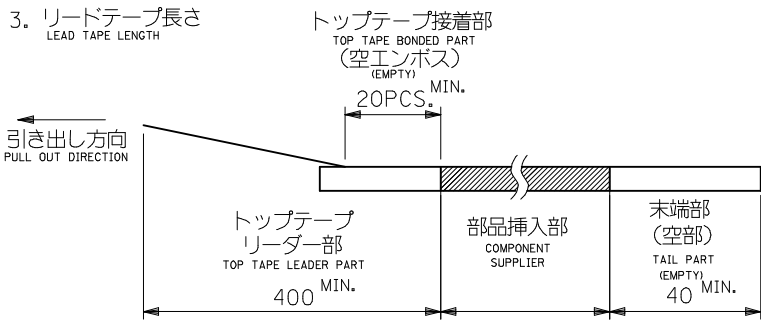
REVISED EC NO: J2009-0643 DRWN: MAKURAA 2008/11/26 CHKD: T. HARUYAMA 2008/11/26 APPR: NUKITA 2009/01/08	DESCRIPTION	GENERAL TOLERANCES (UNLESS SPECIFIED)	DIMENSION STYLE	SCALE	DESIGN UNITS	THIRD ANGLE PROJECTION
	REV	10 UNDER ±0.2	MM ONLY	4:1	METRIC	☉
		10 OVER 30 UNDER ±0.25	DRAWN BY DATE	TITLE		
		30 OVER ±0.3	H. KAWABATA '04/3/8	0.635 PITCH B-T0-B S/T PLUG HSG ASSY -LEAD FREE-		
		ANGULAR ±3 °	CHECKED BY DATE	MOLEX MOLEX INCORPORATED		
	DRAFT WHERE APPLICABLE MUST REMAIN WITHIN DIMENSIONS	K. TOJO '04/3/8	DOCUMENT NO. SD-53481-001			
		APPROVED BY DATE	SHEET NO. 1 OF 1			
		M. SASAO '04/3/8	THIS DRAWING CONTAINS INFORMATION THAT IS PROPRIETARY TO MOLEX INCORPORATED AND SHOULD NOT BE USED WITHOUT WRITTEN PERMISSION			
		MATERIAL NO.				
		SIZE A3				

注) NOTES

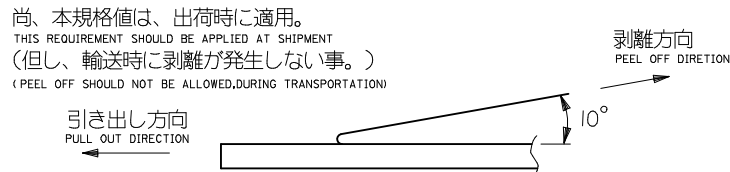
1. 製品番号 53481-\*\*\*67 の詳細寸法については、SD-53481-001 を参照下さい。  
 IN THE PACKAGE, PART NO. 53481-\*\*\*67 DETAILED DIMENSIONS, SEE SD-53481-001.

2. 梱包数量 : NUMBER OF CONNECTORS :

CIRCUITS	NUMBER
OTHERS	1000 PCS/REEL
240	800 PCS/REEL

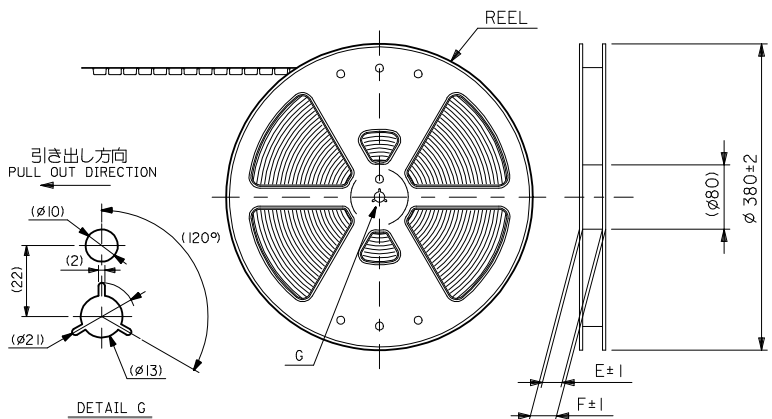


4. トップテープの剥離強度 (剥離方向は下図参照)  
 PEELING OFF FORCE OF TOP TAPE (PEELING DIRECTION AS SHOWN IN FOLLOWING FIG.)  
 0.1~1.3N {10~130gf} : キャリアテープ幅 24mm~104mm  
 O.1~1.3N {10~130gf} : キャリアテープ幅 24mm~104mm

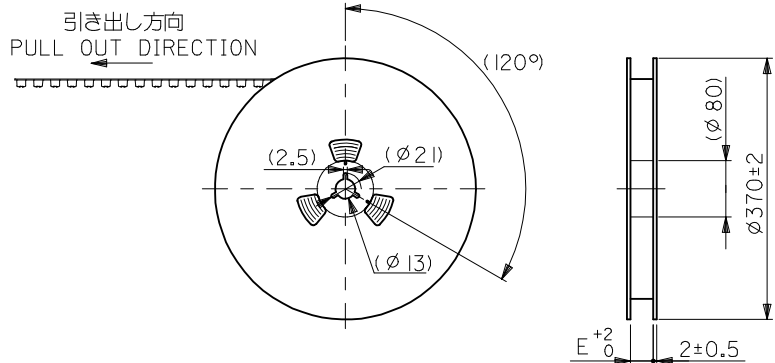


5. 材料 MATERIAL  
 キャリアテープ : ポリプロピレン (PP)  
 CARRIER TAPE : POLYPROPYLENE (PP)  
 トップテープ : PET, PE, PEF  
 TOP TAPE : PET, PE, PEF  
 リール : キャリアテープ幅 24mm~56mm : ポリスチレン  
 REEL : CARRIER TAPE WIDTH 24mm-56mm : POLYSTYRENE  
 キャリアテープ幅 72mm~104mm : 紙  
 CARRIER TAPE WIDTH 72mm-104mm : CARD BOARD

6. 本製品は53481-\*\*\*8の鉛フリー品である。  
 THIS PRODUCT IS LEAD FREE OF 53481-\*\*\*8.



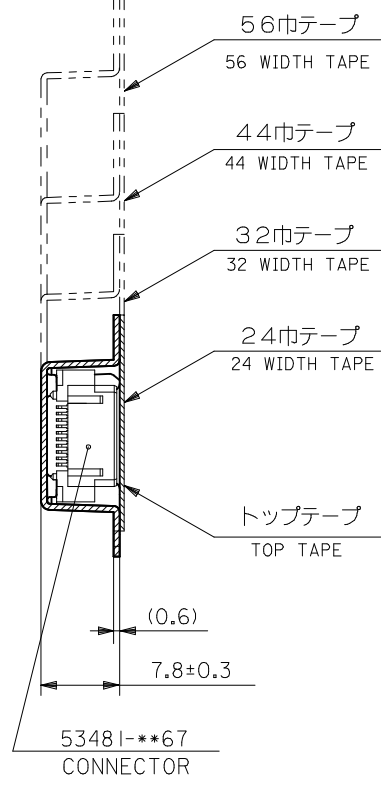
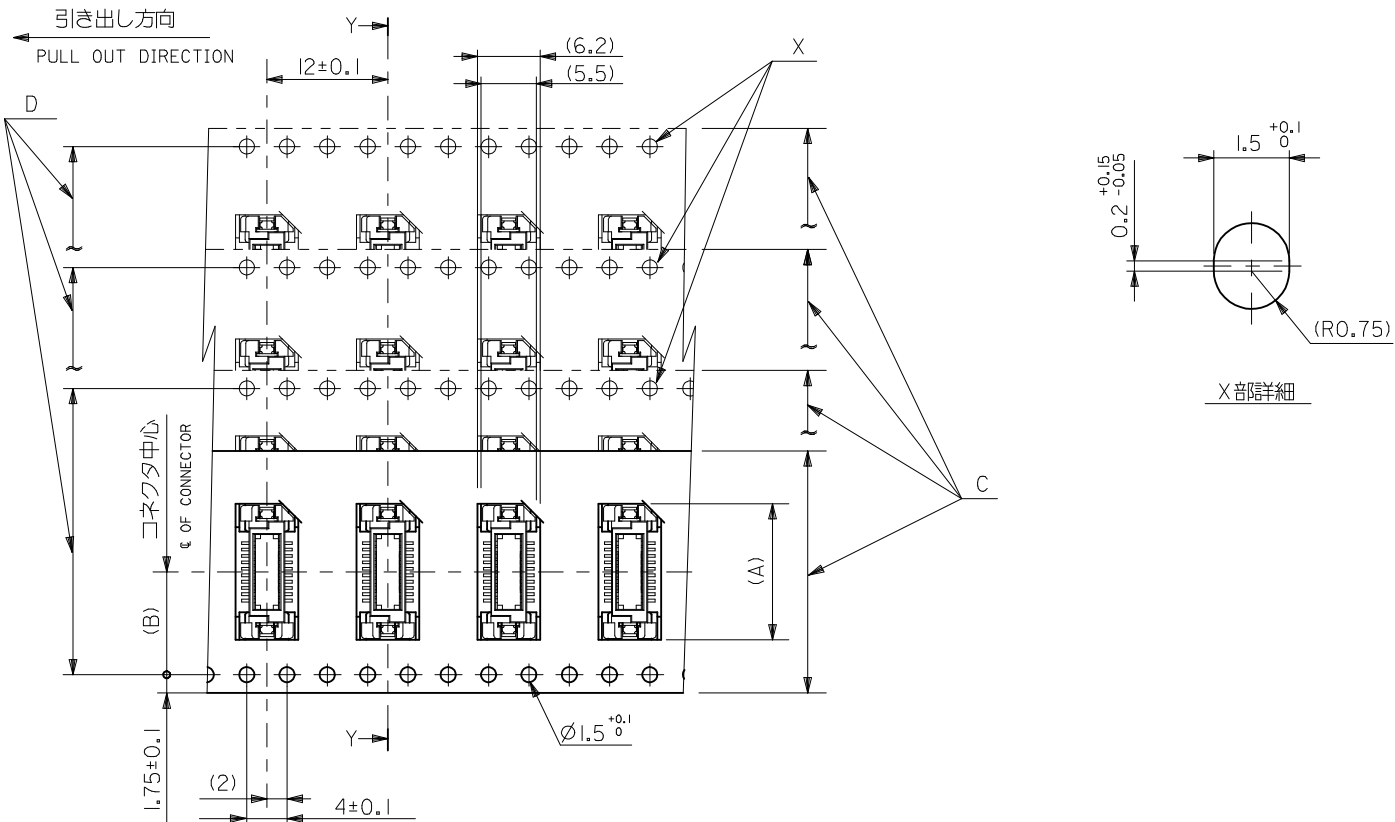
キャリアテープ幅 : 24mm~56mm  
 CARRIER TAPE WIDTH : 24mm-56mm



キャリアテープ幅 : 72mm~104mm  
 CARRIER TAPE WIDTH : 72mm-104mm

53481-\*\*\*68  
 MODEL NO.

REVISED EC NO: J2009-0643 DRWN: KAKURAA 2008/11/26 CHKD: T. HARUYAMA 2008/11/26 APPR: NUKITA 2009/01/08	DESCRIPTION GENERAL TOLERANCES (UNLESS SPECIFIED)	DIMENSION STYLE MM ONLY	SCALE	DESIGN UNITS	THIRD ANGLE PROJECTION	
			10 UNDER ± ---	---		METRIC
			10 OVER 30 UNDER ± ---			
			30 OVER ± ---			
REV A	DESCRIPTION ANGULAR ± --- ° DRAFT WHERE APPLICABLE MUST REMAIN WITHIN DIMENSIONS	SIZE A3	DRAWN BY DATE TITLE		53481-***87 TAPING PACKAGE -LEAD FREE- MOLEX INCORPORATED	
			H. KAWABATA '04/03/08			
			CHECKED BY DATE			
			K. TOJO '04/03/08			
		APPROVED BY DATE		DOCUMENT NO.		
		M. SASAO '04/03/08				
		MATERIAL NO.		SHEET NO.		
		SEE TABLE		SD-53481-002		
		THIS DRAWING CONTAINS INFORMATION THAT IS PROPRIETARY TO MOLEX INCORPORATED AND SHOULD NOT BE USED WITHOUT WRITTEN PERMISSION				



断面 Y-Y  
SECTION Y-Y

累積ピッチ : 40±0.2  
ACCUMULATIVE PITCH : 40±0.2

61.4	57.4	52.4	56 <sup>+0.3</sup>	26.2	38.9	53481-1068	100
49.4	45.4	40.4	44 <sup>+0.3</sup>	20.2	26.2	53481-0668	60
37.4	33.4	28.4	32 <sup>+0.3</sup>	14.2	23.1	53481-0568	50
F	E	D	C キャリアテープ幅 CARRIER TAPE WIDTH	(B)	(A)	MATERIAL NO.	極数 NO. OF CTS.
						MODEL NO.	53481-**68

REVISED EC NO: J2009-0643 DRWN: MAKURAA 2008/11/26 CHKD: T. HARUYAMA 2008/11/26 APPR: NUKITA 2009/01/08	DESCRIPTION REV	GENERAL TOLERANCES (UNLESS SPECIFIED)		DIMENSION STYLE MM ONLY	SCALE ---	DESIGN UNITS METRIC	THIRD ANGLE PROJECTION	
		10 UNDER	± ---	DRAWN BY H. KAWABATA	DATE '04/03/08	TITLE 53481-**87 TAPING PACKAGE -LEAD FREE-		
		10 OVER 30 UNDER	± ---	CHECKED BY K. TOJO	DATE '04/03/08	MOLEX INCORPORATED		
		30 OVER	± ---	APPROVED BY M. SASAO	DATE '04/03/08	DOCUMENT NO. SD-53481-002	SHEET NO. 2 OF 2	
ANGULAR ± --- °		DRAFT WHERE APPLICABLE MUST REMAIN WITHIN DIMENSIONS		SIZE A3	THIS DRAWING CONTAINS INFORMATION THAT IS PROPRIETARY TO MOLEX INCORPORATED AND SHOULD NOT BE USED WITHOUT WRITTEN PERMISSION			