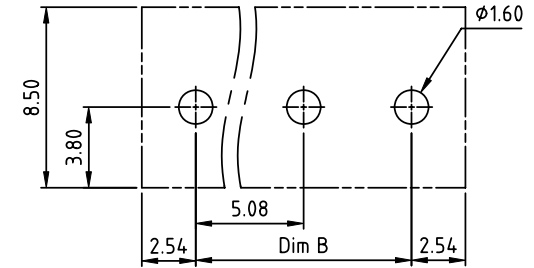
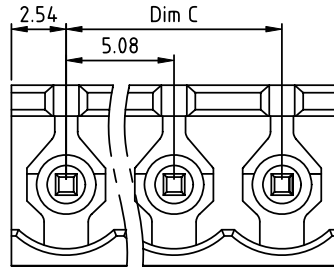
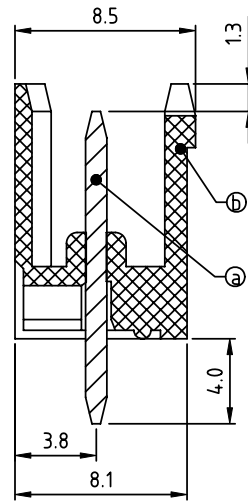
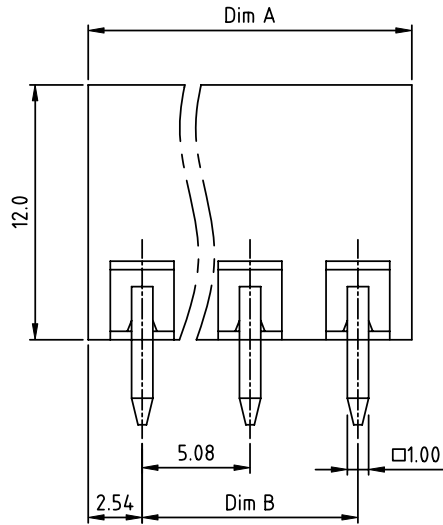


PRODUCT NUMBER	PITCH
0Qxx53x000J0G	5.08 mm



RECOMMENDED P.C.B LAYOUT
TOP VIEW



Material:

- Item ① Male contact pin: Copper Tin plated
- Item ② Terminal housing: Thermoplastic (UL94V-0)

Electrical:

- Voltage rating: 300V/300V/300V
- Current rating: 20A/20A/20A
- Withstanding Voltage: 1.6 KV/2.5KV/2.5KV
- Operating temperature: -40°C to +115°C
- Soldering temperature: 260°C±5°C/5 Sec
- Safety Approval:



DIMENSION

Dim A	N×5.08
Dim B&C	(N-1)×5.08

N = Number of poles

Poles	Dim A	Dim B&C
2-6p	±0.15	±0.10
7-12p	±0.25	±0.15
13-18p	±0.30	±0.20
19-24p	±0.40	±0.30

PART NO.: 0Q xx 5 3 x 0 00J0 G

No. of poles	0 Black (RAL9005)	RoHS compliant (lead<4%) In copper Alloy
02 2 poles	2 Red (RAL3001/D)	
03 3 poles	3 Orange(RAL2011/P)	
...	4 Yellow(RAL1018/A)	
24 24 poles	5 Green(RAL6018/T)	
	6 Blue (RAL5015/A)	
	8 Grey(RAL7035/D)	
	9 White(RAL1102)	
	C Green(RAL6018/U)	

mat'l. code		surface ASME Y14.5	tolerance ASME Y14.5	projection	product family TERMINAL BLOCK
ltr	ecn no	dr	date		title
				tolerances unless otherwise specified	TERMINAL BLOCK
				angles X±0.5	PLUGGABLE SOCKET, OPEN TYPE, VERTICAL
				MM	scale
				X.X±0.3	sheet 1 of 1 size
				X*±1*	0Qxx53x000J0G
				X.XX±0.1	A4
		dr	HANKE FENG	040314	type
		enr	HANKE FENG	040314	CUSTOMER Drawing
		chr	SHI JUN	040314	
		appd	SHI JUN	040314	
sheet index	revision	A			
	sheet	1			