

ECN#	APP'D./DATE	REV.
10419	TAM 6/6/94	10

SAFETY ORGANIZATION(S):

THIS MODULE HAS BEEN FORMALLY RECOGNIZED, CERTIFIED OR APPROVED BY THE LISTED AGENCY. THEREFORE, ALL TEST/REQUIREMENTS SPECIFIED IN THE LATEST REVISION OF THE FOLLOWING AGENCY STANDARDS HAVE BEEN MET.

UL RECOGNIZED	UL 498
CSA CERTIFIED	CSA 22.2, NO.0,0.4,42
VDE APPROVED	VDE 625

OPERATING SPECIFICATIONS:

LINE VOLTAGE/CURRENT: 6 AMP, 120 VAC
 6 AMP./40°C, 250 VAC
 LINE FREQUENCY: 47-440Hz

RELIABILITY SPECIFICATIONS:

STORAGE TEMPERATURE: -55°C TO +85°C
 HUMIDITY: 21 DAYS @ 40°C 95% RH
 CURRENT OVERLOAD TEST: 6 TIMES RATED CURRENT FOR 8 SECONDS

TEST SPECIFICATIONS:

LINE/GROUND AND LINE/LINE INSULATION RESISTANCE: 6000MΩ (MIN) AT 100VDC 20°C AND 50% RH

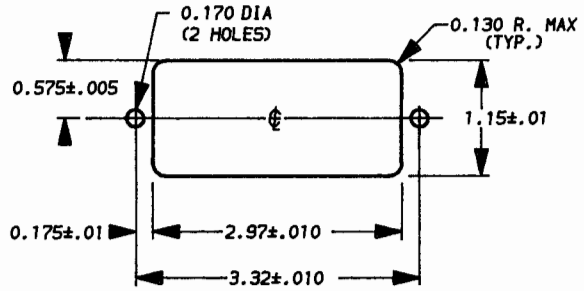
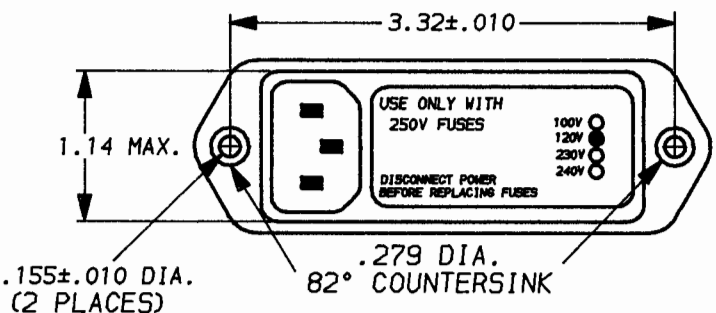
RECOMMENDED RECEIVING INSPECTION HIPOT:

LINES TO GROUND: 1500 VAC FOR 1 MINUTE
 LINE TO LINE: 1450 VDC FOR 1 MINUTE

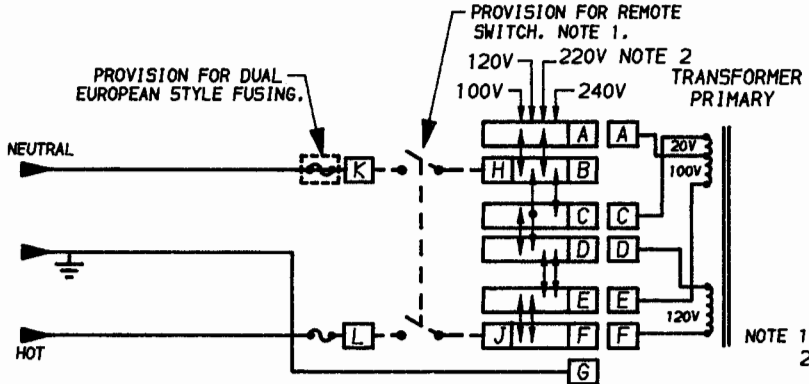
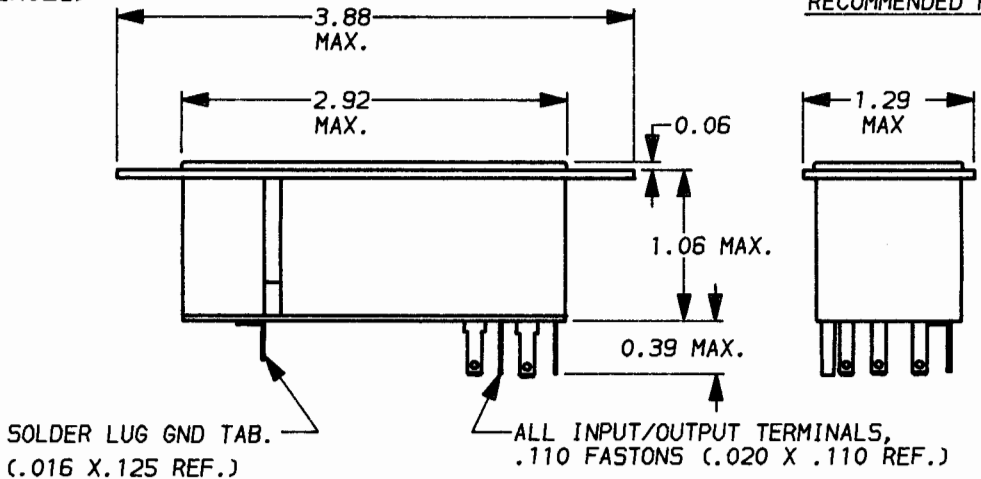
FILTER APPROVAL:

THE BEST WAY TO SELECT AND QUALIFY A FILTER IS FOR YOUR ENGINEERING TO TEST THE UNIT IN YOUR EQUIPMENT.

U.S. PATENT No. 4,488,201



RECOMMENDED PANEL CUT-OUT NOT TO SCALE



NOTE 1. JUMPERS REQUIRED IF NO SWITCH OR FILTER IS USED.
 2. 230V FOR EUROPEAN APPLICATIONS.

	UNLESS OTHERWISE SPECIFIED, TOLERANCE TO BE ±.025	 LIBERTYVILLE, IL 60048	POWER LINE FILTER	DATE: 4-18-94	CATALOG NO.	REV.
	MATERIAL & FINISH: AS SUPPLIED			APPRVD.	6VM4	10
	This document is proprietary to CORCOM INC. and is not to be reproduced nor used for manufacturing purposes except on CORCOM'S prior written consent.	CAD NO.		6VM4.10		