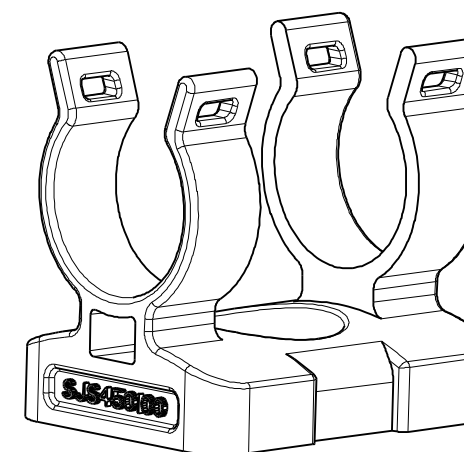
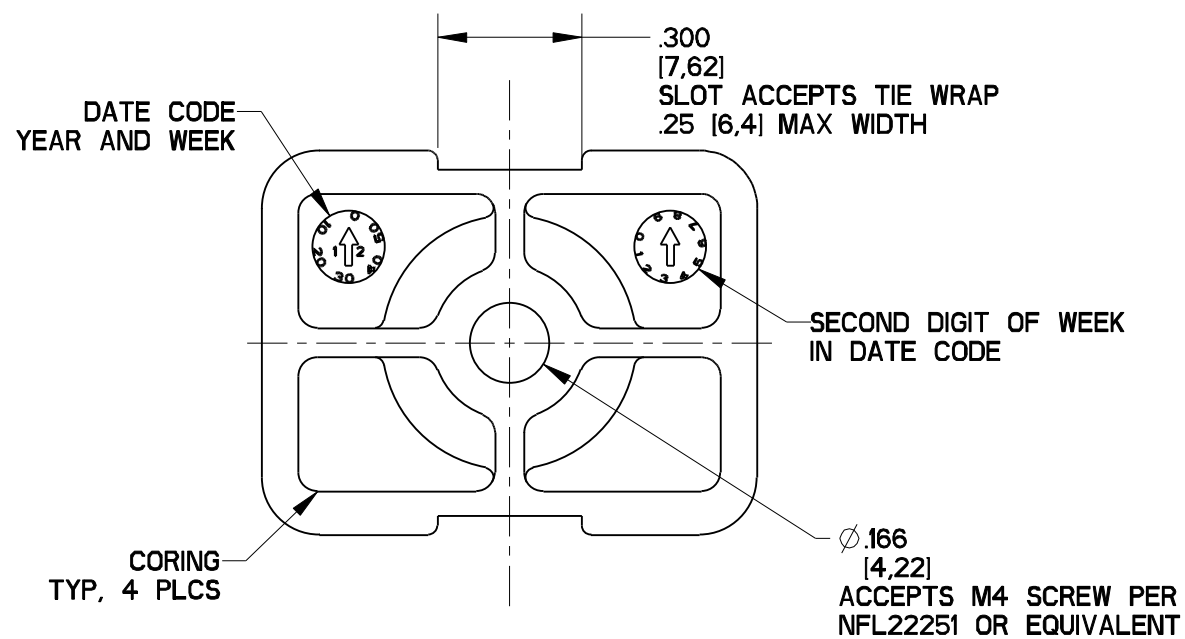
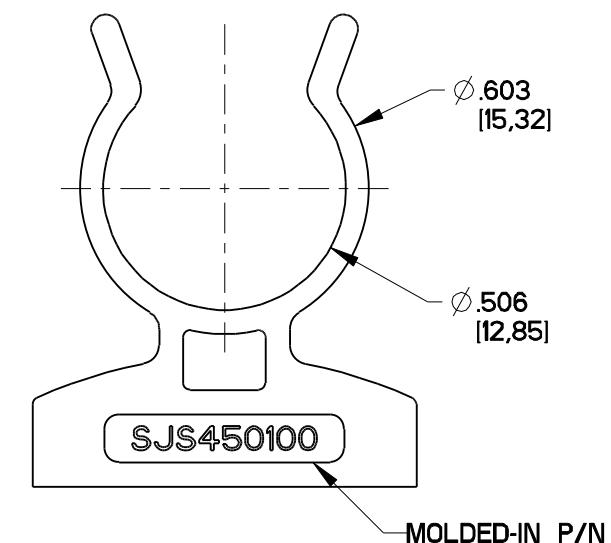
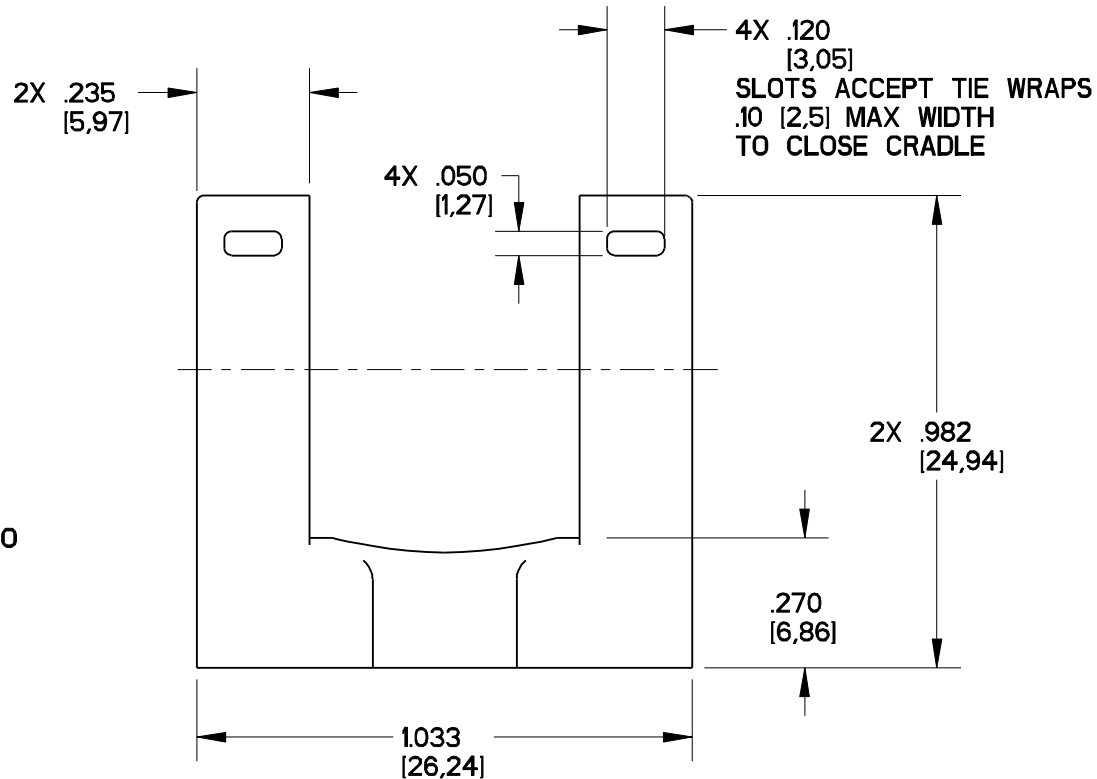
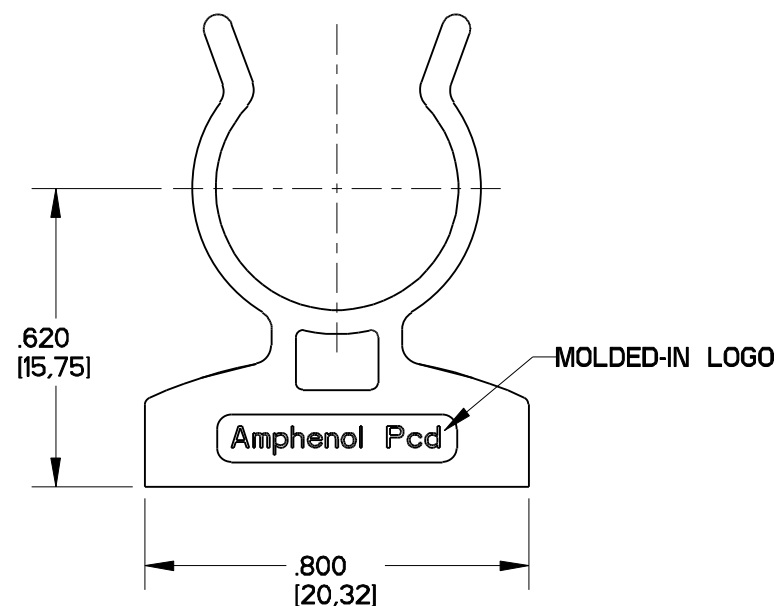


REV	ECN	APP'D
1		



SCALE 2:1

NOTES:

1. MATERIAL: TORAY CM3004 V0 COLOR: BLACK.
2. WEIGHT: 3.3 GRAMS (EST.)
3. ACCEPTS & RETAINS LUMINUS SHELL SIZE 8 INLINE MATED PAIRS.

DIMENSIONS ANSI Y14.5M UNITS: INCHES [MM] Pro/E FILE	TOLERANCES .XX ±0.01 [±.3] .XXX ±0.005 [±.13] ANGLES ±2.0°	PROJECTION 	Amphenol Pcd SPECIFICATION DRAWING		TITLE MOUNTING CRADLE SCREW & TIE MOUNT SHELL SIZE 8		
			ENGR WESLEY YU	06-Nov-12	SIZE B	DWG NO. SJS450100_CE	REV 1
ORIGINAL	THIS DOCUMENT CONTAINS PROPRIETARY INFORMATION WHICH IS THE CONFIDENTIAL PROPERTY OF AMPHENOL PCD INC., BEVERLY, MA		CHKD	APPD	CODE: 58982	SCALE: 5:2	SHEET 1 OF 1

SJS450100_CE

SJS450100_CE