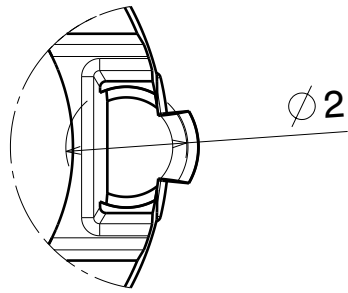
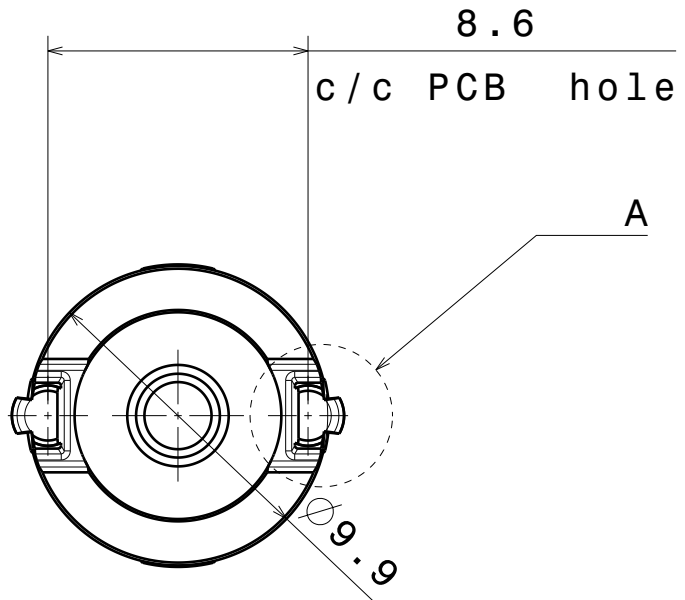


D C B A

4



Detail A
Scale: 8:1



Bottom view
Scale: 4:1

Lens

Holder

1.6
PCB

$\varnothing 2$

6.81

1.76

Front view
Scale: 4:1

3

2

Materials:
Lens PMMA
Holder PC

Note:
Take tolerances
into account
when specifying
holes for PCB

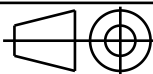
1

Tolerances if not otherwise shown
According to DIN ISO 2768-1
Linear measures:
up to 30mm class M, otherwise class C
According to DIN ISO 2768-2
Form and position: class L

LEDiL

Ledil Oy
Salorankatu 10
FIN 24240 SALO
Finland

THIRD ANGLE PROJECTION:



DRAWING TITLE

Datasheet Lisa2-clip16-XT series Assy

This drawing is the property
of LEDiL Oy. It may not be
reproduced, copied or
communicated without a written
agreement with LEDiL Oy.

SIZE PART NUMBER

A4

SCALE 4:1 WEIGHT

SHEET 1/1

D

A

4

3

2

1