

BITalino (r)evolution Board Kit Data Sheet

BBK 160616

SPECIFICATIONS

- > **Sampling Rate:** 1, 10, 100 or 1000Hz
- > **Analog Ports:** 4 in (10-bit) + 2 in (6-bit) + 1 auxiliary in (battery) + 1 out (8-bit)
- > **Digital Ports:** 2 in (1-bit) + 2 out (1-bit)
- > **Communication:** Bluetooth or BLE
- > **Range:** up to ~10m (in line of sight)
- > **Sensors:** EMG; ECG; EDA; EEG; ACC; LUX; BTN
- > **Actuators:** LED; BUZ
- > **Size:** 100x65x6mm
- > **Battery:** 500mA 3.7V LiPo (rechargeable)
- > **Consumption:** ~65mA
- > **Accessories:** 1x 3-lead cable; 1x 2-lead cable; 5x Electrodes; 1x ProtoBIT

FEATURES

- > All-in-one ready-to-use design
- > Snappable blocks
- > Raw data acquisition
- > On-board battery charger
- > Easy-to-use
- > Affordable

APPLICATIONS

- > Psychophysiology
- > Biomedical projects
- > Electrical engineering
- > Human-Computer Interaction
- > Robotics & Cybernetics
- > Physiology studies
- > Biofeedback

GENERAL DESCRIPTION

Our signature BITalino (r)evolution Board kits have an all-in-one hardware design, with all the blocks pre-connected between them and ready-to-use, making it perfect for biosignal exploration and lab activities. The kit includes all the basic accessories needed to get started, namely the hardware modules, battery, cables and electrodes. Along with our cross-platform OpenSignals software, it enables instant biosignal data visualization and recording out-of-the-box.

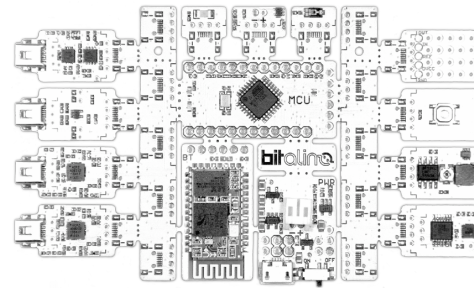


Fig. 1. All-in-one design ready to use out-of-the-box; available with Bluetooth (Fig. 4) or BLE (Fig. 5).



Fig. 2. The BITalino (r)evolution Board kits enable you to have your own personal biomedical research system.

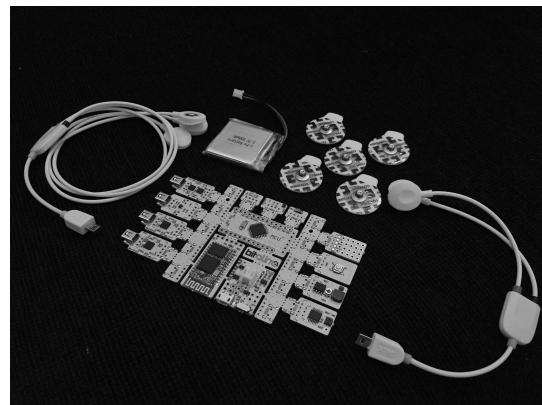


Fig. 3. Parts and accessories included in the kit.

bitalino

PLUX – Wireless Biosignals, S.A.
Av. 5 de Outubro, n. 70 – 8.
1050-059 Lisbon, Portugal
bitalino@plux.info
<http://bitalino.com/>

REV A

© 2016 PLUX 

This information is provided "as is," and we make no express or implied warranties whatsoever with respect to functionality, operability, use, fitness for a particular purpose, or infringement of rights. We expressly disclaim any liability whatsoever for any direct, indirect, consequential, incidental or special damages, including, without limitation, lost revenues, lost profits, losses resulting from business interruption or loss of data, regardless of the form of action or legal theory under which the liability may be asserted, even if advised of the possibility of such damages.



BEWARE: DIRECT OR INDIRECT COUPLING TO THE MAINS MAY RESULT IN SHOCKING HAZARD



BITalino (r)evolution Board Kit Data Sheet

FUNCTIONAL BLOCKS

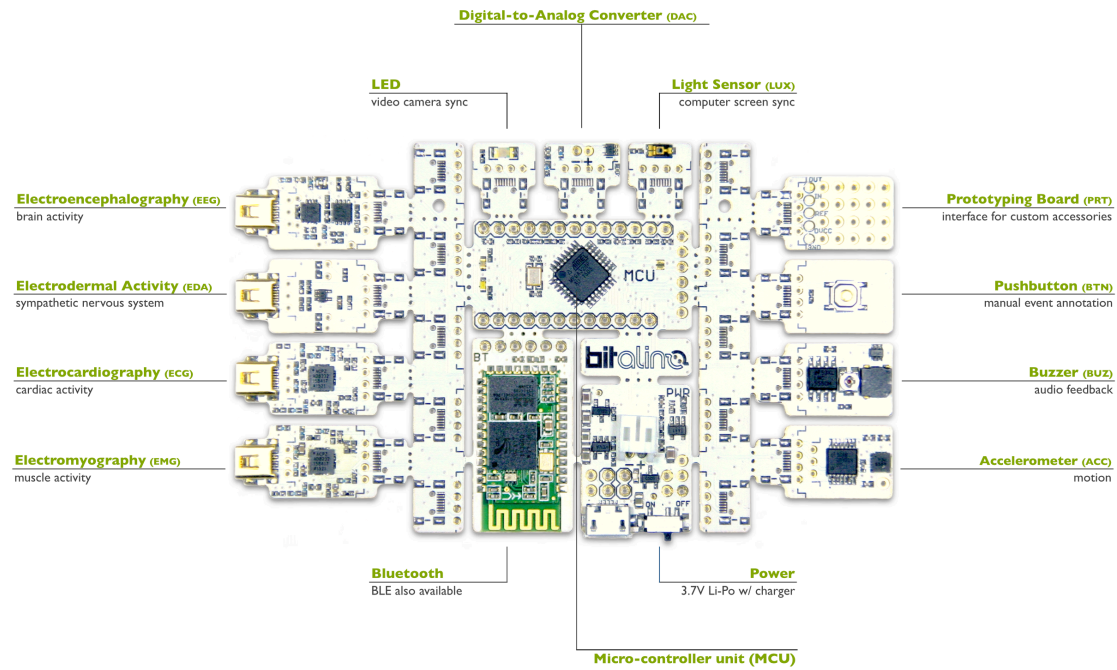


Fig. 4. BITalino (r)evolution Board with Bluetooth connectivity.

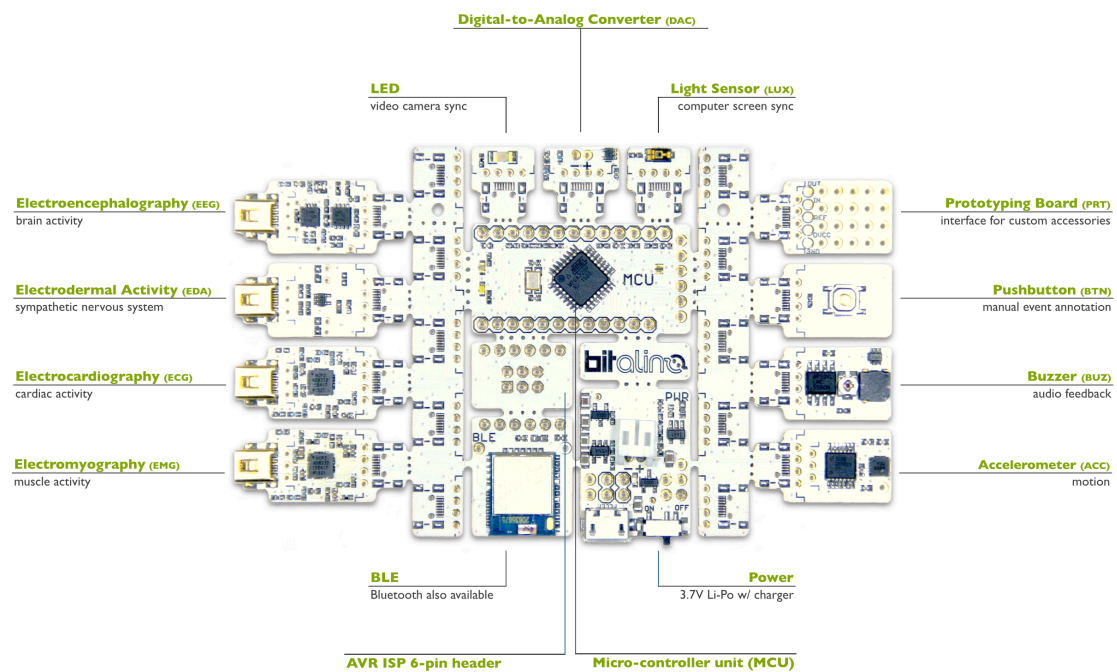


Fig. 5. BITalino (r)evolution Board with BLE connectivity.

BITalino (r)evolution Board Kit Data Sheet

PACKAGING

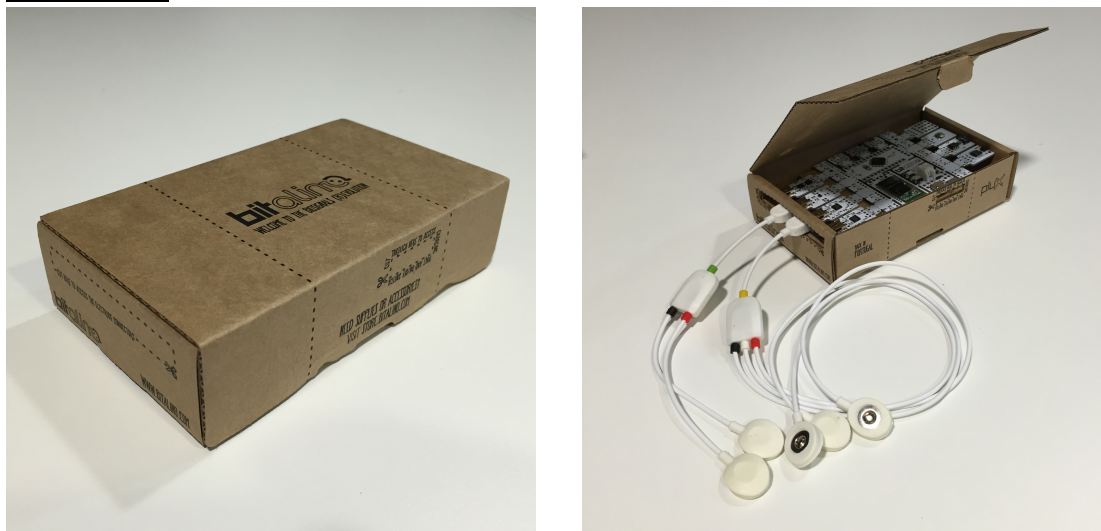


Fig. 6. BITalino (r)evolution Board kits ship in a convenient eco-friendly packaging that can double as an enclosure.

ORDERING GUIDE

Part #	Description
KIT-REV-BOARD-BT-UCE6	BITalino (r)evolution Board kit with Bluetooth connectivity and UC-E6 connectors
KIT-REV-BOARD-BLE-UCE6	BITalino (r)evolution Board kit with BLE connectivity and UC-E6 connectors