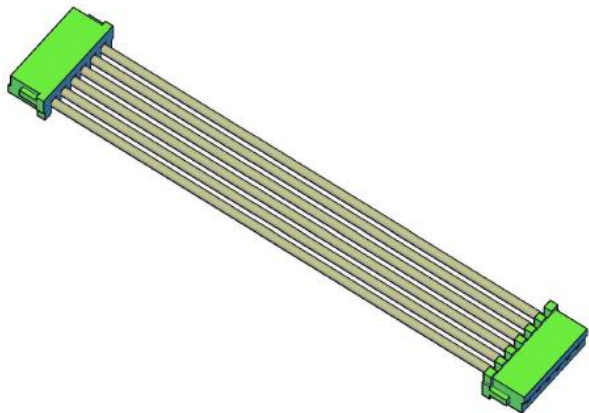
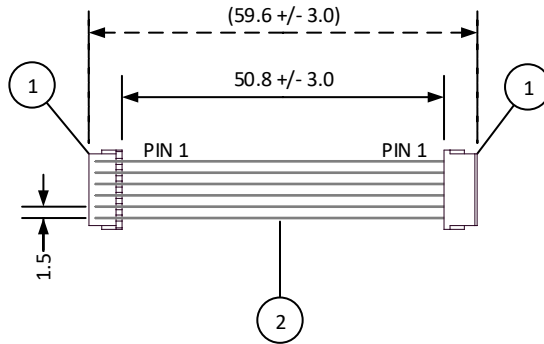


| 4 | | 3 | | 2 | | 1 | |
|------|--------------------|--------------|-----------|-----------|--------------------|---|--|
| ITEM | CONNECTOR PART NO. | DESCRIPTION | IPI CHECK | EOR CHECK | Applicable Tooling | | |
| 1 | See Table 1 | ZR CONNECTOR | | | BCD | | |
| 2 | UL1571, 28 AWG | GREY | | | TABLE 1 | | |

| ITEM | NUMBER OF CIRCUITS | CONNECTOR PART NO. | ASSEMBLY PART NUMBER | TOTAL WIRE REQUIRED |
|------|--------------------|--------------------|----------------------|---------------------|
| 1 | 2 | 02ZR-8M-P | A02ZR02ZR28H51A | 101.6 |
| 1 | 3 | 03ZR-8M-P | A03ZR03ZR28H51A | 152.4 |
| 1 | 4 | 04ZR-8M-P | A04ZR04ZR28H51A | 203.2 |
| 1 | 5 | 05ZR-8M-P | A05ZR05ZR28H51A | 254.0 |
| 1 | 6 | 06ZR-8M-P | A06ZR06ZR28H51A | 304.8 |
| 1 | 7 | 07ZR-8M-P | A07ZR07ZR28H51A | 355.6 |
| 1 | 8 | 08ZR-8M-P | A08ZR08ZR28H51A | 406.4 |
| 1 | 9 | 09ZR-8M-P | A09ZR09ZR28H51A | 457.2 |
| 1 | 10 | 10ZR-8M-P | A10ZR10ZR28H51A | 508.0 |
| 1 | 11 | 11ZR-8M-P | A11ZR11ZR28H51A | 558.8 |
| 1 | 12 | 12ZR-8M-P | A12ZR12ZR28H51A | 609.6 |
| 1 | 13 | 13ZR-8M-P | A13ZR13ZR28H51A | 660.4 |



| | | |
|--|--|----------------------|
| SCALE | 1: 1 | |
| DIMENSIONS All dimensions are in MM with a tolerance of +/- 3.0 unless otherwise specified. | CUSTOMER NAME | CUSTOMER PART NO. |
| | DESCRIPTION 1.5 mm Pitch ZR Standard Catalog Assembly - 2" Overall Length - Pin out: 1 to 1 | |
| DRAWN BY STEVEN PILKINGTON | ASSEMBLY PART NO. SEE TABLE 1 | |
| CHECKED BY JUSTIN BAKER | DRAWING NO. & REVISION GAM-016 | REVISED 2/25/2016 |



| REV. | DESCRIPTION | DATE | BY |
|------|-------------|------|----|
|------|-------------|------|----|

4 3 2 1