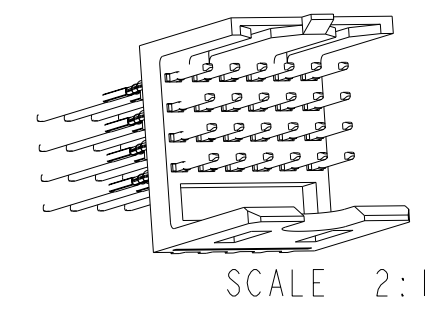
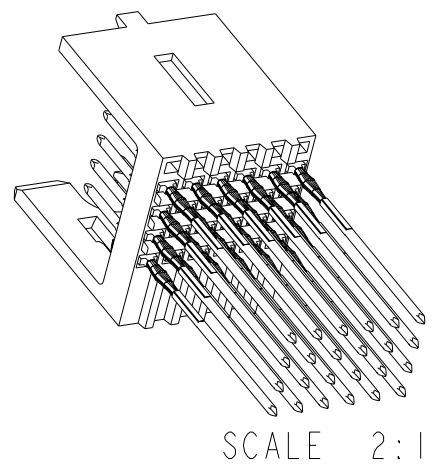
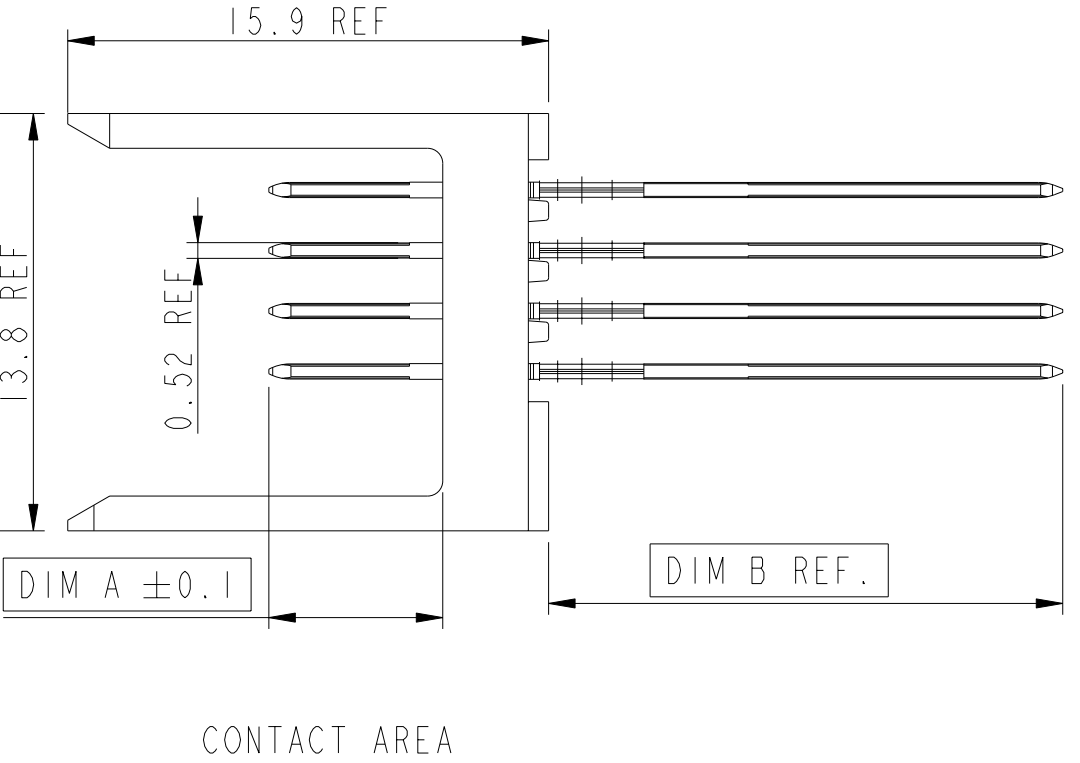
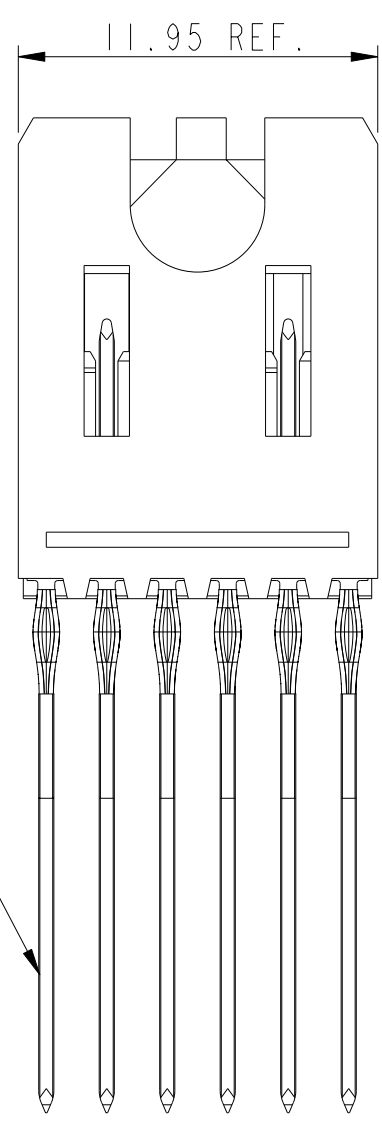
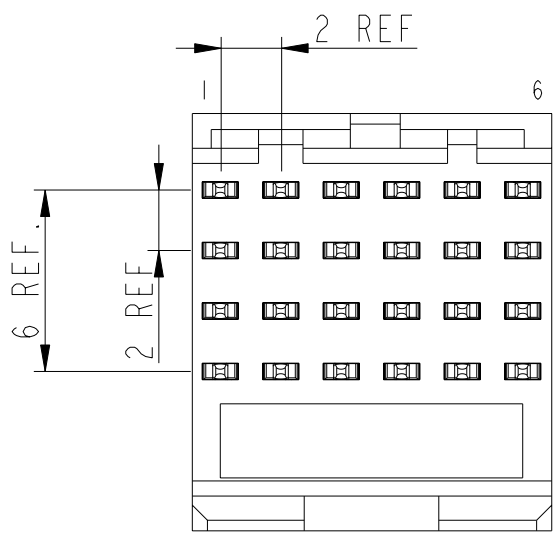


TIN LEAD P/N
58793-XY

LEAD FREE P/N
58793-XYLF



- NOTES
- FOR DIM A AND DIM B, SEE SHEET 2 AND UP
 - BODY MATERIAL : LIQUID CRYSTAL POLYMER 30% GLASS
FLAME RETARDANT ACC. UL 94-V0.
 - PIN MATERIAL : PHOSPHOR BROZE.
 - PLATING ON PRESS-FIT AREA SnPb FOR TIN LEAD VERSION
PLATING ON PRESS-FIT AREA Sn FOR LEAD FREE VERSION
PLATING ON CONTACT AREA CONFORMS TO PERFORMANCE LEVEL SHOWN IN TABLE BELOW.
 - PRODUCT MARKING : PART NUMBER & BATCH ID.

GENERAL CHARACTERISTICS AND RoHS INFORMATIONS:
SEE DRAWING C-8626-000P

CONTACT AREA S

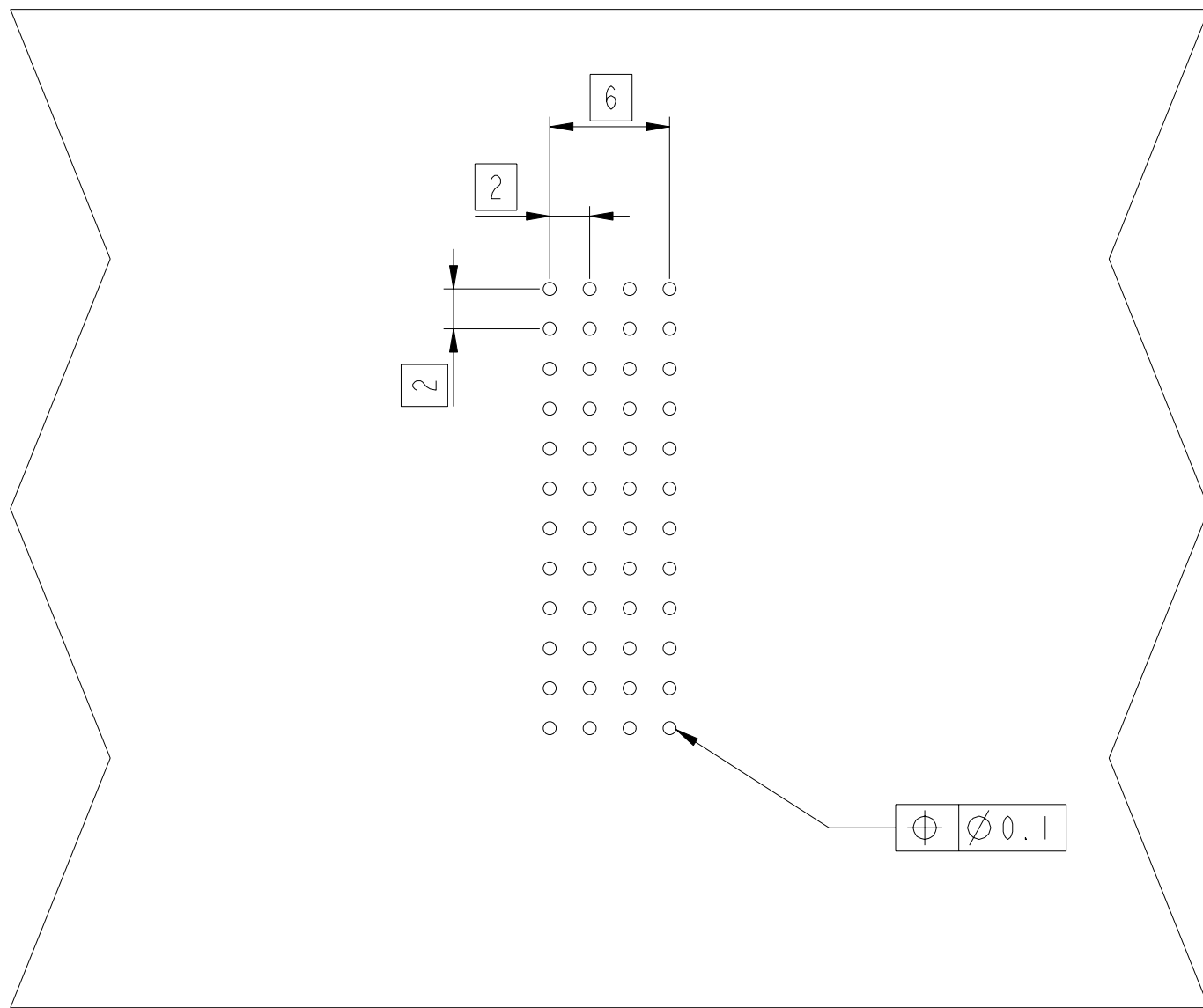
PLATING IN CONTACT AREA	
DASH NUMBER	PERFORMANCE LEVEL
1YY(LF)	TELCORDIA CO
2YY(LF)	TELECOM CLASS
3YY(LF)	IEC CLASS I

rev	ecn no	dr	date
A	H70695	DDB	1997/10/16
B	H90388	HME	1999/06/24
C	LS05-0056	LGO	2005/07/13
D	LS06-0084	LGO	2006-07-01
-	-	-	-
-	-	-	-
-	-	-	-

www.fciconnect.com			surface ISO 1302	tolerance std ISO 406 ISO 1101	projection mm
			TOLERANCES UNLESS OTHERWISE SPECIFIED		←→
Dr	L GOISNARD	2005/07/13	ANGULAR	0.X	±0.3
Eng	M LENOIR	2005/07/13		LINEAR	0.XX
Chr	Ph LEGARE	2005/07/13	0° ±2°	0.XXX	±0.05
Appr	Ph LEGARE	2005/07/13	Product family		size A3
			METRAL		Scale 4:1
			Spec ref		ECN LS06-0084
			Title		Rev. D
			METRAL SIGNAL HDR STR PF		
			NARROW BODY 4 ROW		
			catalog no		85793C
			SEE TABLE		CUSTOMER
			sheet 1 of 3		



Copyright FCI.



KEY		
CODE	DIMENSIONS	
	DIM A MATE	DIM B MATE
1	5.00	4.30
2	5.75	4.30
3	6.50	4.30
4	7.25	4.30
5	5.00	13.60
6	5.75	13.60
7	6.50	13.60
8	7.25	13.60
9	5.00	17.00
10	5.75	17.00
11	6.50	17.00
12	7.25	17.00

PC BOARD LAYOUT
COMPONENT SIDE
SCALE 3:1

SEE PRINT 58351 FOR ADDITIONAL
PCB INFORMATION

www.fciconnect.com			surface <input checked="" type="checkbox"/> ISO 1302	tolerance std ISO 406 ISO 1101	projection	mm
TOLERANCES UNLESS OTHERWISE SPECIFIED						
Dr	L GOISNARD	2005/07/13	ANGULAR	LINEAR	0.X	±0.3
Eng	M LENOIR	2005/07/13			0.XX	±0.1
Chr	Ph LEGARE	2005/07/13	0°	±2°	0.XXX	±0.05
Appr	Ph LEGARE	2005/07/13	Product family		METRAL	Spec ref --
			METRAL SIGNAL HDR STR PF		Rev. D	
			NARROW BODY 4 ROW		85793C	
			catalog no		SEE TABLE	
					CUSTOMER	
					sheet 2 of 3	

Copyright FCI.

METRAL P/N	ROW	CONTACT CODE MOD. I					
		1	2	3	4	5	6
85793-X01 OR 85793-X01LF	D	10	-	10	-	10	-
	C	-	10	-	10	-	10
	B	10	-	10	-	10	-
	A	-	10	-	10	-	10

METRAL P/N	ROW	CONTACT CODE MOD. I					
		1	2	3	4	5	6
85793-X02 OR 85793-X02LF	D	1	1	-	-	1	1
	C	1	1	-	-	1	1
	B	1	1	-	-	1	1
	A	1	1	-	-	1	1

www.fciconnect.com			surface <input checked="" type="checkbox"/> ISO 1302	tolerance std ISO 406 ISO 1101	projection 	mm
TOLERANCES UNLESS OTHERWISE SPECIFIED						
Dr	L GOISNARD	2005/07/13	ANGULAR	LINEAR	0.X	±0.3
Eng	M LENOIR	2005/07/13			0.XX	±0.1
Chr	Ph LEGARE	2005/07/13	0° ±2°		0.XXX	±0.05
Appr	Ph LEGARE	2005/07/13	Product family		METRAL	Spec ref --
			METRAL SIGNAL HDR STR PF		dwg no	85793C
			NARROW BODY 4 ROW		Rev.	D
			catalog no	SEE TABLE	CUSTOMER	sheet 3 of 3



Copyright FCI.