

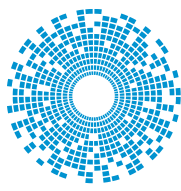


SealJack™

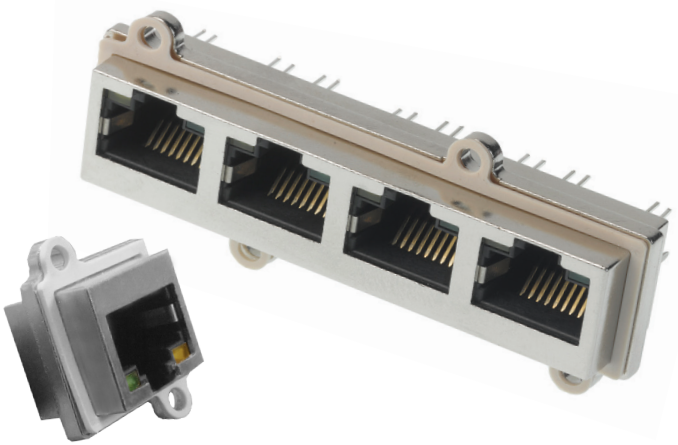
Vertical Jack Configuration

Harsh Environment Solutions

Reliability and functionality are a necessity when the need for Ethernet begins to move outside the typical office environment. Moisture and other environmental factors limit the capabilities of electronics in these environments thus requiring a sealed yet reliable connector that protects against such factors. Based on the reliability of Stewart Connector's RJ45 jack coupled with a sealed housing design, Stewart Connector's SealJack™ provides reliable connectivity in the most demanding environments. This unique sealed design is the lightest and most compact on the market, which can be used to transmit up to 10G Base-T Ethernet speeds.



stewart
CONNECTOR
a bel group



SealJack™

Main Characteristics

- Available in a single port vertical and four port vertical harmonica jack configuration
- Allows for sealed protection from outside elements for IP67 applications per IEC 60529 Specifications
- The connector housing is comprised of a Zinc die cast alloy with Nickel plating
- A compact design that minimizes weight, volume and area over competitive products
- Port Density volume of 2.3 ports per in³
- Available with optional EPP 918-A protective coating
- Minimum of 750 mating cycles
- Includes a gasket that allows for front panel mounting or rear panel mounting
- Multiple LED configurations available
- POE+ compatible and RoHS compliant

Data transmission

- Supports 10/100 Base-T, 1G Base-T, and 10G Base-T Ethernet
- Options available to support CAT5E and CAT6A premise wiring systems (Consult Factory)

Applications

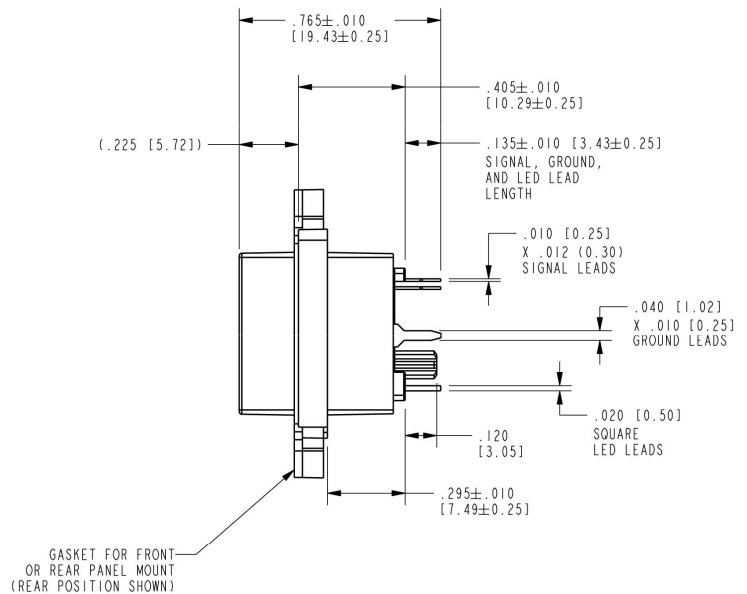
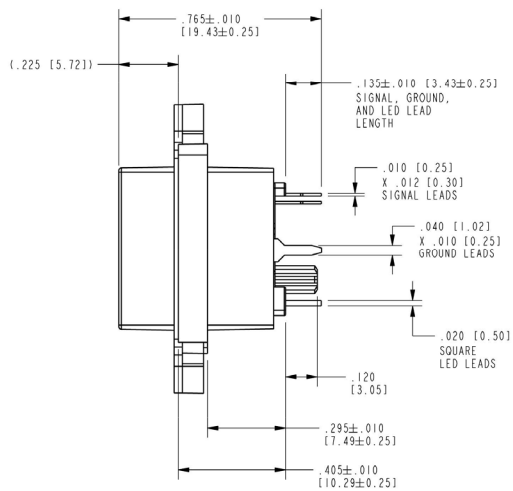
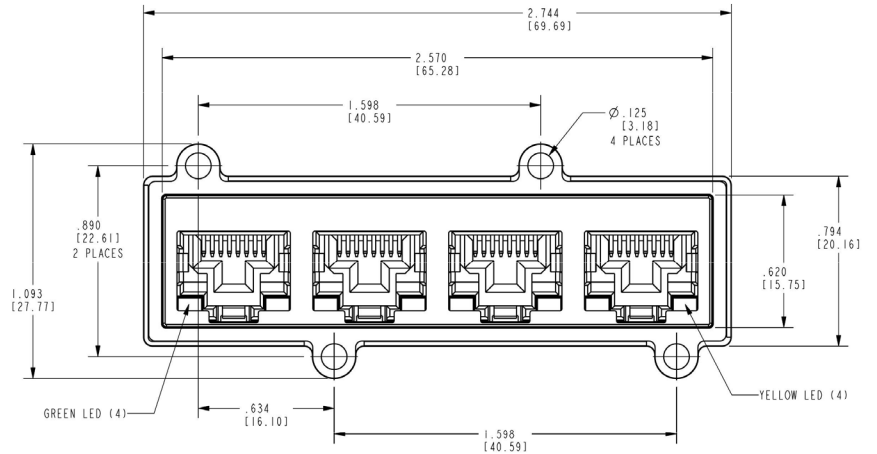
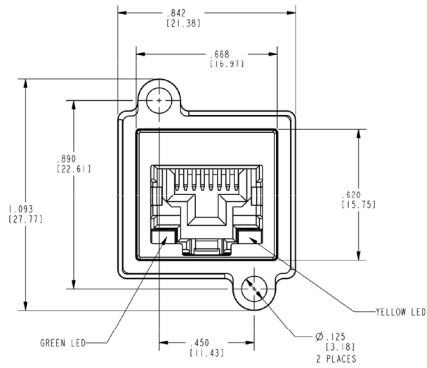
- Rugged computing equipment
- Industrial Environments
- Military Communication
- Marine Equipment
- Medical devices
- Test Equipment
- Connectivity for non-office environments
- Renewable Energy Industry

Part Number	Port Configuration	Description	LEDs
SS-60400-001	1 x 1	Single Port SealJack with LEDs	G/Y
SS-60400-004	1 x 1	Single Port SealJack without LEDs	NONE
SS-60400-007	1 x 4	Four Port Harmonica SealJack with LEDs	G/Y
SS-60400-010	1 x 4	Four Port Harmonica SealJack without LEDs	NONE



SealJack™

Dimensions



Custom designs are available on request. Email techhelp@belf.com to submit your specific application needs.

Data sheets with electrical and mechanical specifications are available at stewartconnector.com



Stewart Connector +1 717.235.7512
11118 Susquehanna Trail South techhelp@belf.com
Glen Rock, PA 17327 USA stewartconnector.com