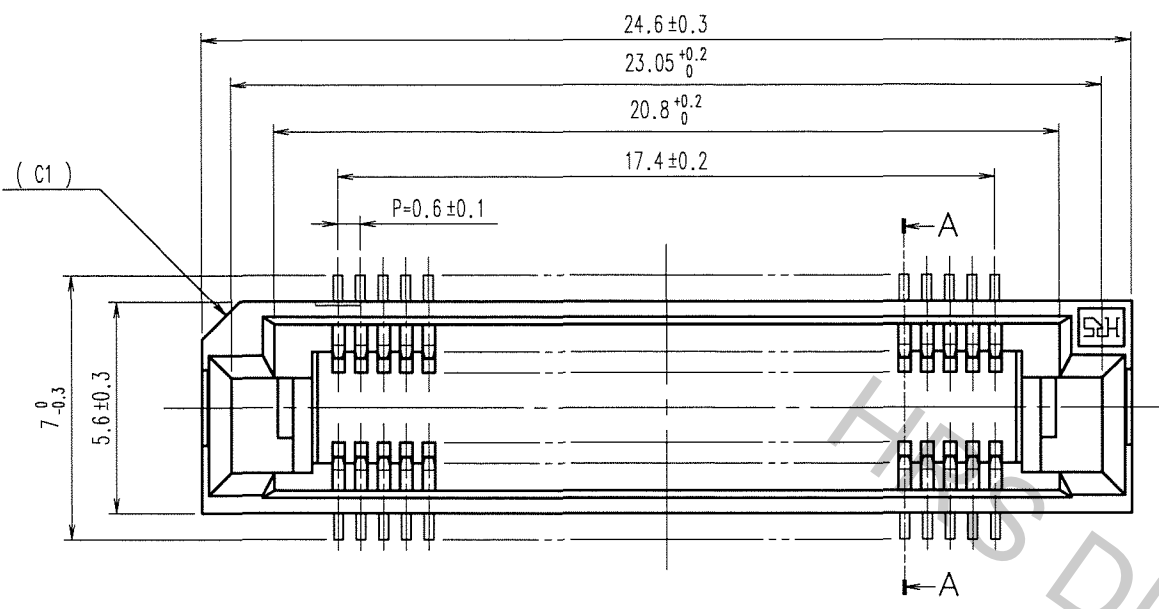
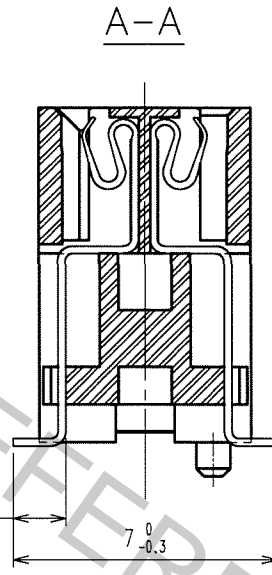
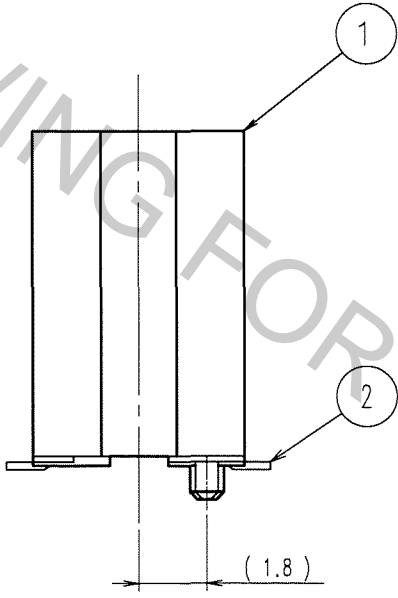
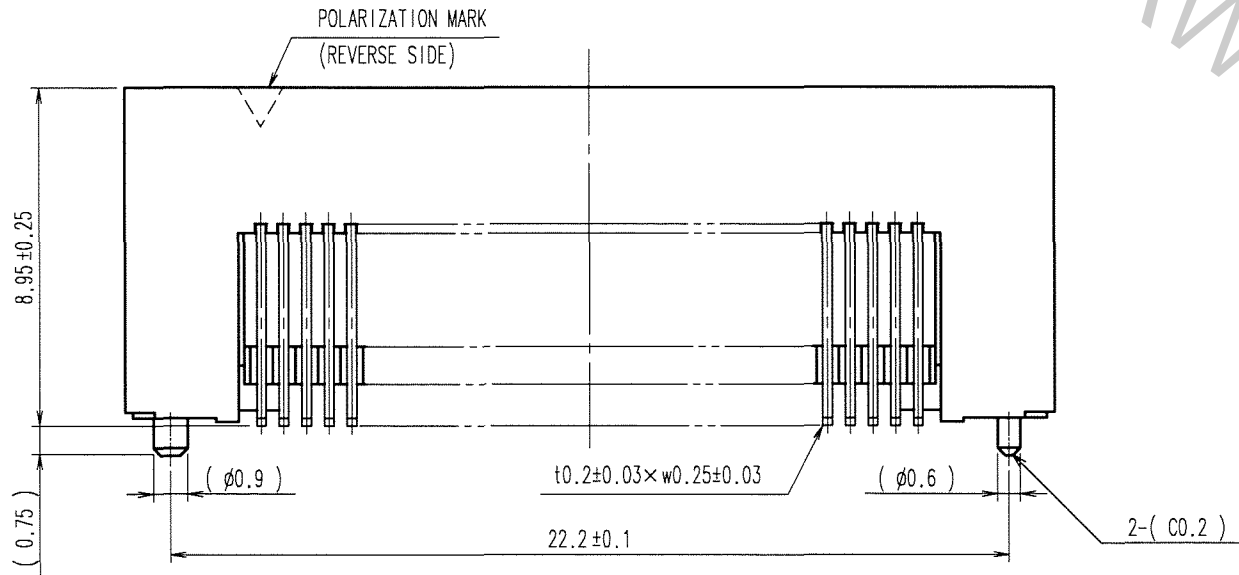
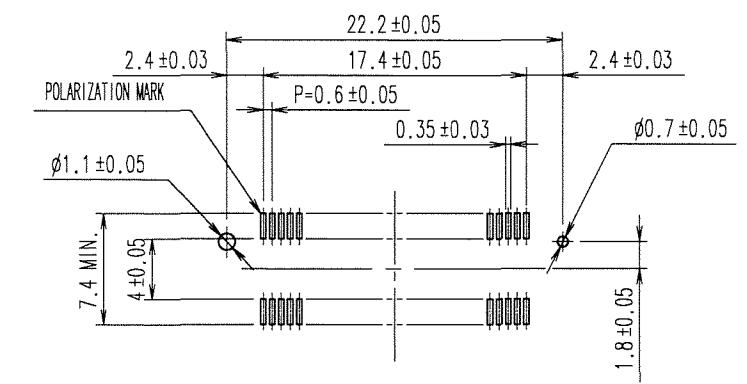


Apr.1.2017 Copyright 2017 HIROSE ELECTRIC CO., LTD. All Rights Reserved.

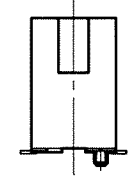
COUNT	DESCRIPTION OF REVISIONS	BY	CHKD	DATE	COUNT	DESCRIPTION OF REVISIONS	BY	CHKD	DATE
2	DIS-F-001012	K.D	H.O	'06.09.28					



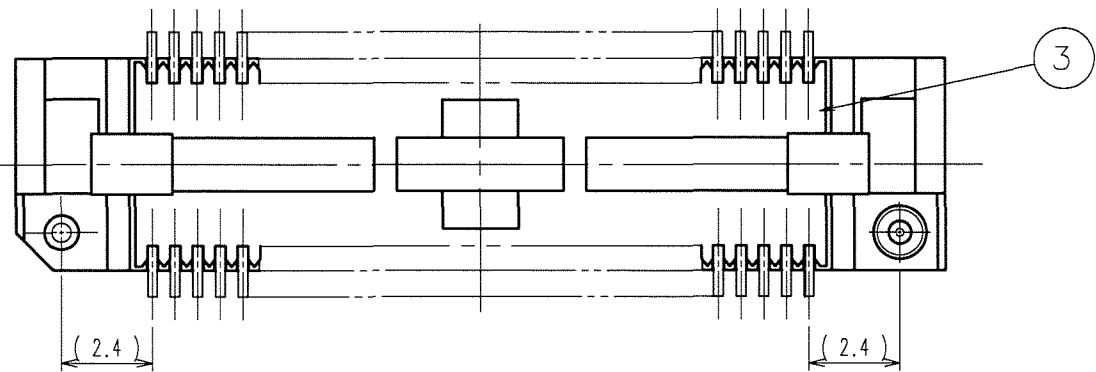
RECOMMENDED LAND PATTERN DIMENSION OF PCB (MOUNTING SIDE) (2:1)



3 FIG. 1 (2:1)



- NOTE 1. LEAD CO-PLANARITY SHALL BE 0.1mm MAX.
 2. TUBE PACKAGING SHALL BE APPLIED FOR THIS PRODUCT. SEE NEXT PAGE FOR DETAILS.
 3. SIDE OF CONNECTOR ALSO ACCEPTS FIG. 1 CONFIGURATION.
 4. FOR MODIFICATION, ETC., PREVENTIVE HOLE FOR SINK MARK MAY BE ADDED ACCORDING TO CIRCUMSTANCES.
 5. THE DIMENSIONS IN PARENTHESES ARE FOR REFERENCE.



1, 3	POLYPHENYLENE SULFIDE	LIGHT BROWN (UL94V-0)	2	PHOSPHOR BRONZE	CONTACT AREA: GOLD 0.1μm min. LEAD AREA: TIN 1μm min. Δ UNDER PLATING: NICKEL 1μm min. Δ
NO.	MATERIAL	FINISH, REMARKS	NO.	MATERIAL	FINISH, REMARKS

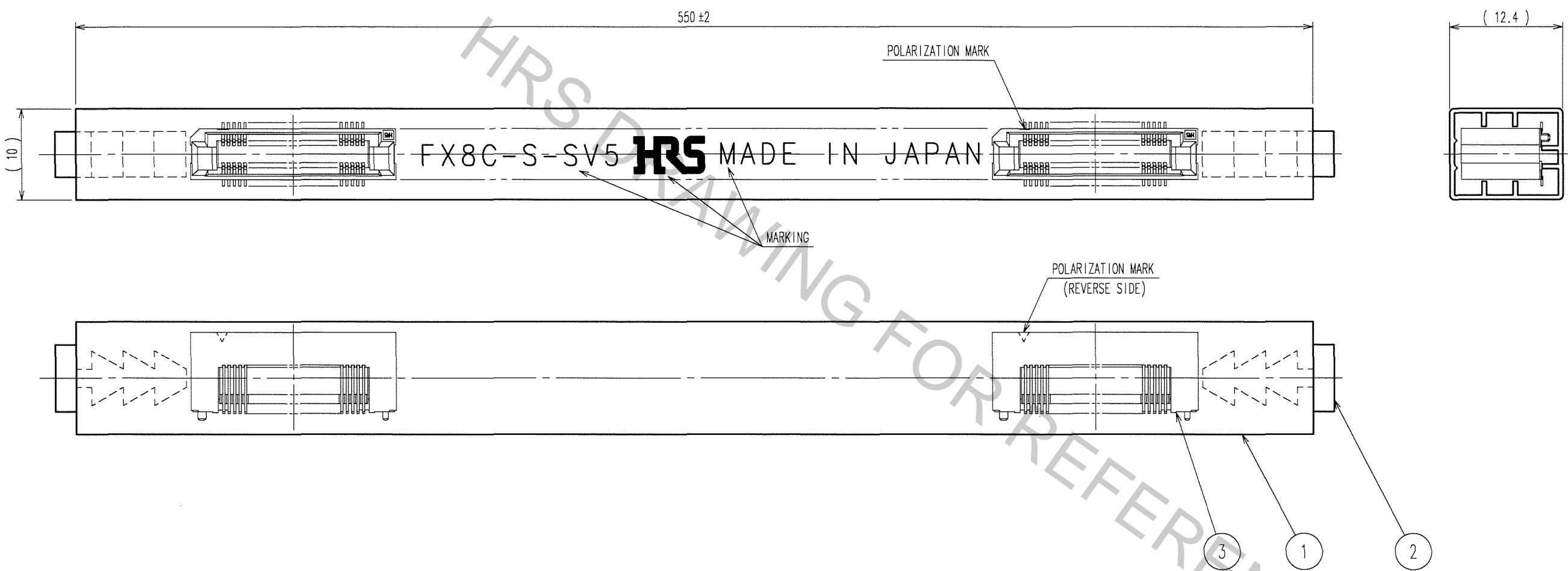
CODE NO. (OLD) CL	DRAWN K.DOI '05.09.02	DESIGNED K.DOI '05.09.02	CHECKED H.OZAWA '05.09.02	APPROVED H.OKAWA '05.09.02	RELEASED .
----------------------	-----------------------------	--------------------------------	---------------------------------	----------------------------------	---------------

SCALE 5 : 1	DRAWING NO. EDC3-150891-21	PART NO. FX8C-60S-SV5(91)
UNITS mm	HIROSE ELECTRIC CO., LTD	CODE NO. CL578-0821-0-91

TO

Apr.1.2017 Copyright 2017 HIROSE ELECTRIC CO., LTD. All Rights Reserved.

COUNT	DESCRIPTION OF REVISIONS	BY	CHKD	DATE	COUNT	DESCRIPTION OF REVISIONS	BY	CHKD	DATE
△				..	△				..
△				..	△				..
△				..	△				..



NOTE 1. 1 TUBE : 21 CONNECTORS.
 2. THE DIMENSIONS IN PARENTHESES ARE FOR REFERENCE.

2		POLYVINYL CHLORIDE STOPPER	3 (CONNECTOR)			
1		POLYVINYL CHLORIDE TUBE				
NO.	MATERIAL	FINISH, REMARKS	NO.	MATERIAL	FINISH, REMARKS	
CODE NO. (OLD) CL			DRAWN	DESIGNED	CHECKED	APPROVED
			K.DOI '05.09.02	K.DOI '05.09.02	H.OZAWA '05.09.02	H.OKAWA '05.09.02
DRAWING NO. EDC3-150891-21			PART NO. FX8C-60S-SV5(91)			
SCALE FREE			CODE NO. CL578-0821-0-91			2
UNITS mm			HRS HIROSE ELECTRIC CO., LTD			

TO