

REV	DOCUMENT	CHANGED BY	CHECK
3	0033382	AB	30AUG07

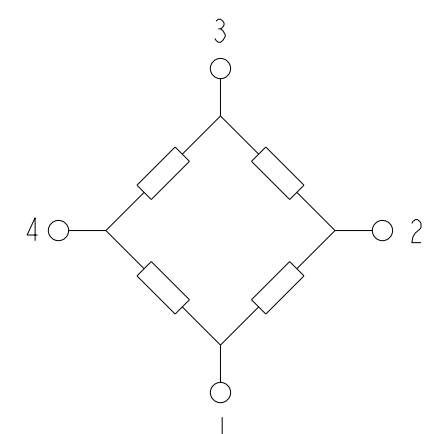
CPX
SERIES
DESIGNATES PRESSURE
 - NO DESIGNATION (PSI)
PRESSURE RANGE
 05, 15, 30,
 60, 100, 150 PSIA

A
ACCURACY GRADE
C - COMMERCIAL GRADE
 - NO DESIGNATION
 COMMERCIAL GRADE
PORT OPTION
F - AXIAL
 - NO PORT/O-RING SEAL
PRESSURE REFERENCE
A - ABSOLUTE

CATALOG LISTINGS	
②	CPX15AF
②	
③	
③	

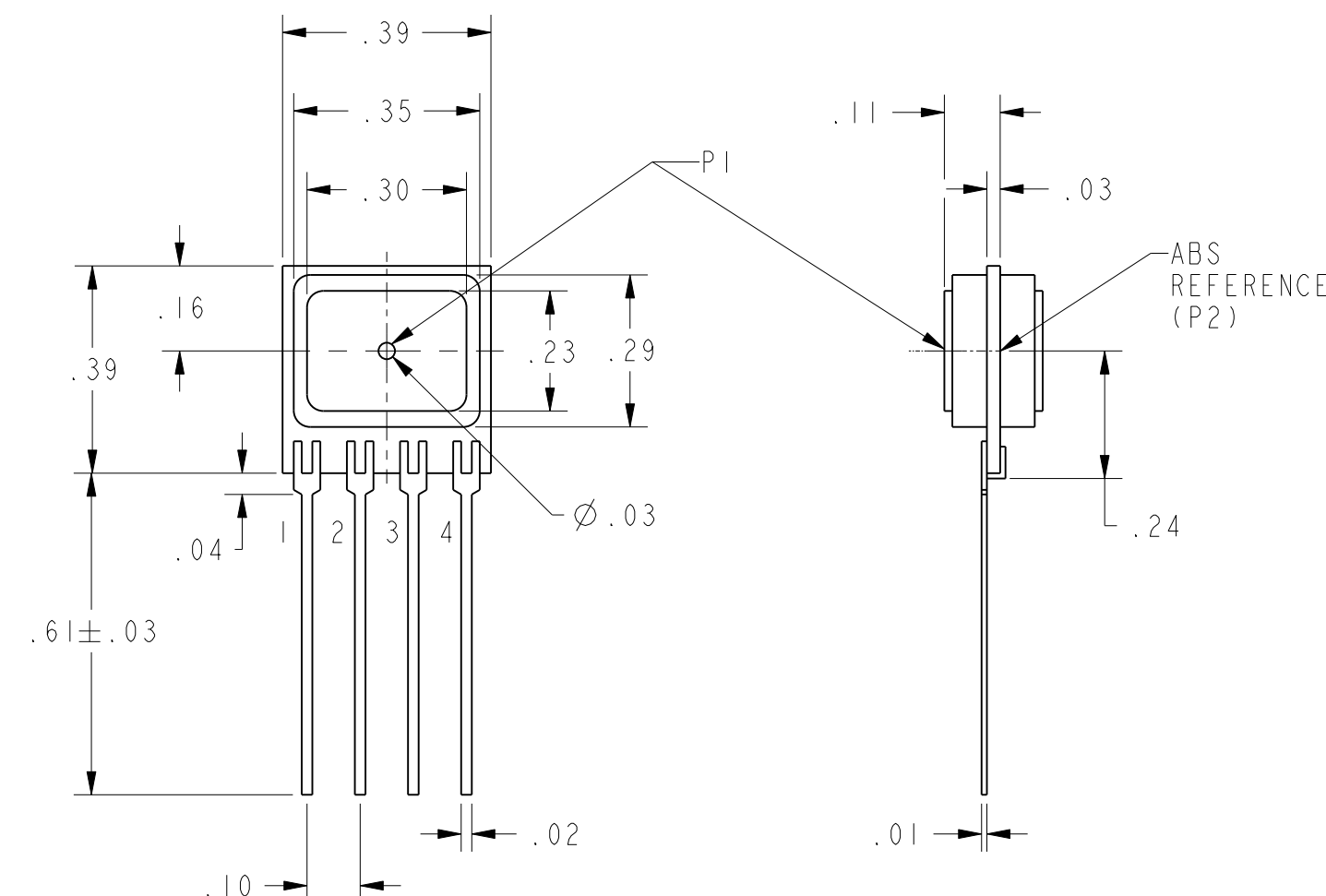
CPX A STYLE (ABSOLUTE)	PERFORMANCE AT 25°C AND 5±0.01 Vdc (UNLESS OTHERWISE STATED)						
	C-GRADE			UNITS	FULL SCALE PRESSURE PSI	PROOF PRESSURE PSI	BURST PRESSURE PSI
	MIN	NOM	MAX				
OFFSET (0 PSIA) (FOR ALL ABSOLUTE LISTINGS)	-50	0	50	mV			
5 PSIA SPAN (P1>P2)	112	168.5	225	mV	5	15	25
15 PSIA SPAN (P1>P2)	168	253	338	mV	15	45	75
30 PSIA SPAN (P1>P2)	168	253	338	mV	30	90	150
60 PSIA SPAN (P1>P2)	189	263.5	338	mV	60	180	300
100 PSIA SPAN (P1>P2)	210	295	380	mV	100	250	400
150 PSIA SPAN (P1>P2)	187	262.5	338	mV	150	250	400
TEMPERATURE CHANGE BRIDGE RESISTANCE	---	2600	---	ppm/°C			
TEMPERATURE CHANGE SPAN	---	-1800	---	ppm/°C			
COMBINED LINEARITY AND HYSTERESIS ^②	---	---	1	% SPAN			

GENERAL OPERATING CHARACTERISTICS	ALL PRESSURES AND GRADES			
	MIN	NOM	MAX	UNITS
EXCITATION VOLTAGE	---	5	12	Vdc
INPUT RESISTANCE	---	3000	---	OHMS
OUTPUT RESISTANCE	---	3000	---	OHMS
OPERATING TEMPERATURE	-25	25	85	°C
STORAGE TEMPERATURE	-40	---	125	°C

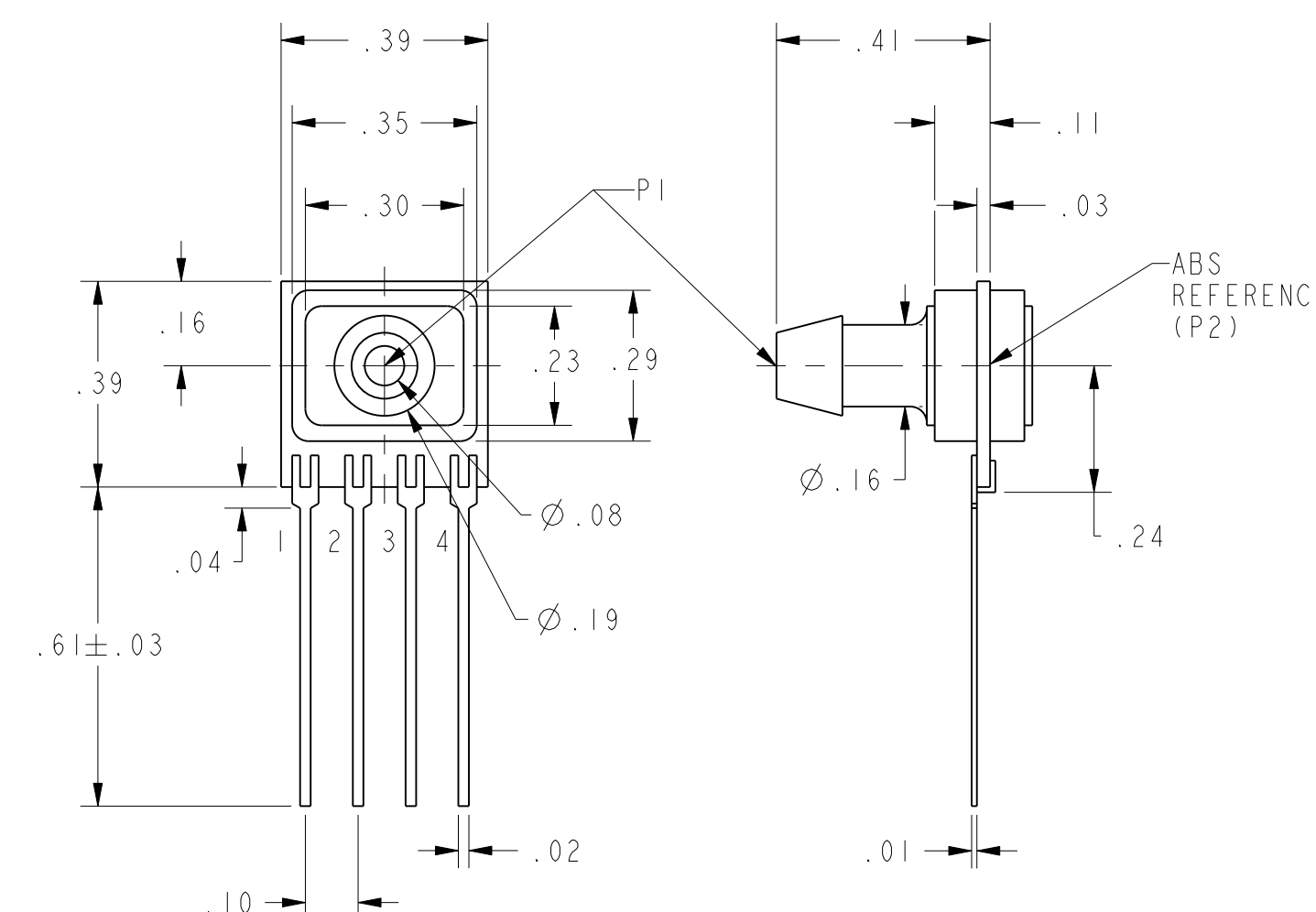


EQUIVALENT CIRCUIT

PIN OUT	
1	-V EXCITATION
2	+ OUTPUT SIGNAL
3	+ V EXCITATION
4	- OUTPUT SIGNAL



A HOUSING



AF HOUSING

NOTES

- 1 - SPAN IS THE ALGEBRAIC DIFFERENCE BETWEEN THE OUPUT AT FULL SCALE PRESSURE AND THE OFFSET OUTPUT
- ^② LINEARITY IS MEASURED AT 1/2 FULL SCALE PRESSURE USING BEST STRAIGHT LINE FIT
- 3 - THE OUTPUT OF THE SENSOR IS PROPORTIONAL, RATIOMETRIC, TO THE EXCITATION VOLTAGE. ALL SPECIFICATIONS WILL NOMINALLY BE CHANGED BY THE RATIO OF V_{EXCITATION}/5.0 Vdc
- 4 - LIMIT SOLDERING TO 315°C FOR LESS THAN 10 SECONDS
- 5 - APPLYING PRESSURE TO PORT INDICATED ON THE DRAWINGS SHOWN
- 6 - SENSORS ARE OPERATIONAL OVER VACUUM PRESSURE RANGE
- 7 - P1 INPUT MEDIA RESTRICTED TO DRY GASES ONLY

UNLESS OTHERWISE SPECIFIED TOLERANCES ARE:	<input checked="" type="checkbox"/> US (inch) CUSTOMARY	<input type="checkbox"/> SI (mm) METRIC	DRAWN	TRF	19MAR01	Honeywell		
NO PLACE	X	±.040 ±1	CHECK	SAV	19MAR01			
ONE PLACE	.X	±.030 ±0,4	THIS DRAWING COVERS A PROPRIETARY ITEM AND IS THE PROPERTY OF HONEYWELL. THIS DRAWING IS NOT TO BE COPIED OR USED WITHOUT THE PERMISSION OF HONEYWELL.			TITLE		
TWO PLACE	.XX	±.015 ±0,15				PRESSURE SENSOR		
THREE PLACE	.XXX	±.005 ±				SIZE	DWG TYPE	DRAWING NAME
ANGLES	±	±				C	I	CPX ABS SERIES CHART 1
RAW MATERIAL-COMMERCIAL STANDARD	±	±	3D PTC	ASME Y14.5M-1994	SCALE	3:1		
THIRD ANGLE PROJECTION						WEIGHT		
						SHEET		
						1 OF 1		