

1. USB MATERIALS:
 -SHELL - PHOSPHOR BRONZE, PLATED WITH MATTE TIN 2.54um MIN
 -HOUSING - THERMOPLASTIC, GLASS FILLED, UL 94V-0 RATED
 -CONTACT - PHOSPHOR BRONZE WITH SELECTIVE GOLD PLATING
 -SPRING CLIP: PHOSPHOR BRONZE
 RJ45 MATERIALS:
 -PLASTIC HOUSING - BLACK, THERMOPLASTIC FLAMMABILITY RATING UL 94V-0
 SHIELD - BRASS, PLATED WITH 0.76 um SEMI-BRIGHT NICKEL,
 POST DIPPED WITH 2.54 um MIN SAC SOLDER ON SOLDER TAILS
 -CONTACTS: PHOSPHOR BRONZE, PLATED WITH 1.27um MIN OVERALL NICKEL
 UNDERPLATE, SELECTIVE 1.27um MIN GOLD AT MATING INTERFACE AND 2.54um
 MIN MATTE TIN ON SOLDER TAILS. OR 1.27um MIN NICKEL UNDERPLATE,
 WITH 0.05um GOLD PLATING OVER 0.76um MIN PALLADIUM NICKEL PLATING AT
 MATING INTERFACE AND 2.54um MIN MATTE TIN ON SOLDER TAILS.
- LED - DIFFUSED EPOXY LENS, 0.5 x 0.5 CARBON STEEL WIREFRAME LEADS
 PREPLATED WITH 2.03 um MIN SILVER OVER 1.02 um MIN NICKEL UNDERPLATE OVER
 1.02 um MIN COPPER UNDERPLATE; POST-PLATED WITH 2.54 um MIN TIN

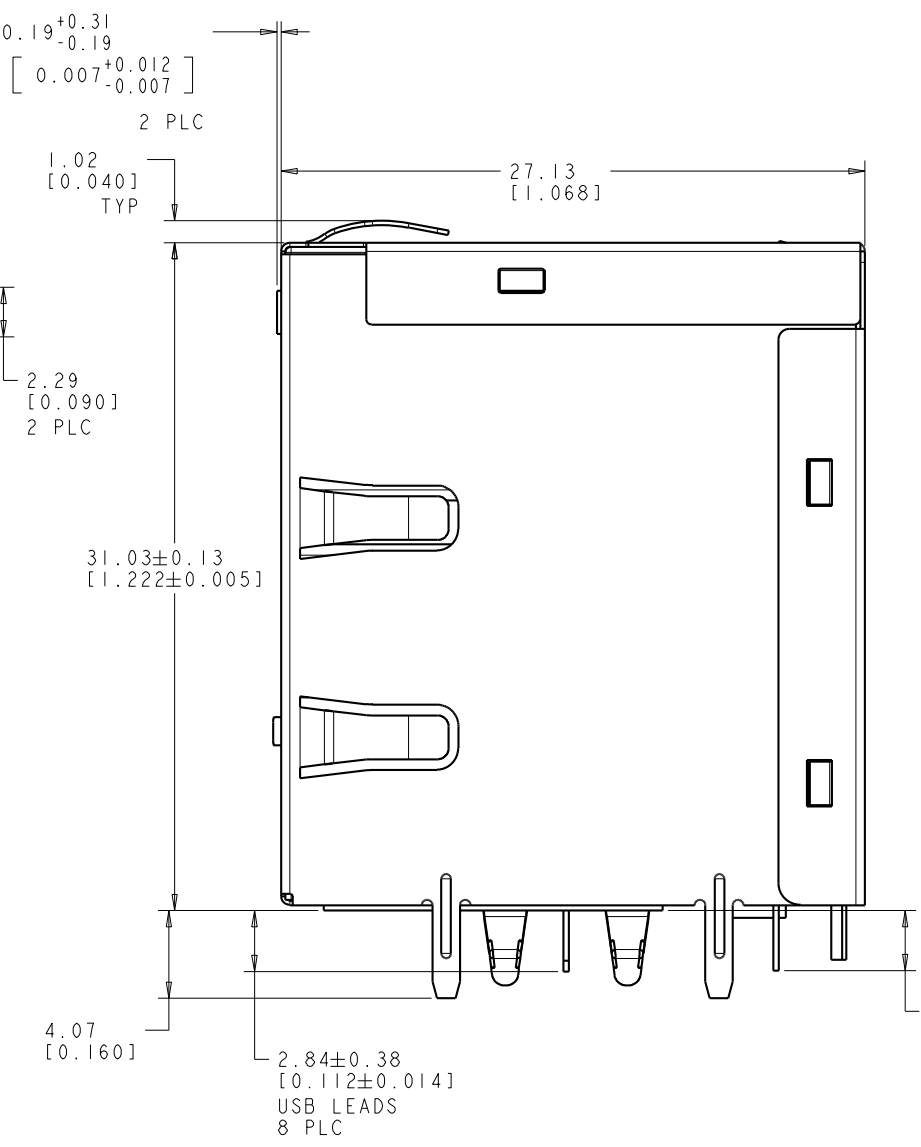
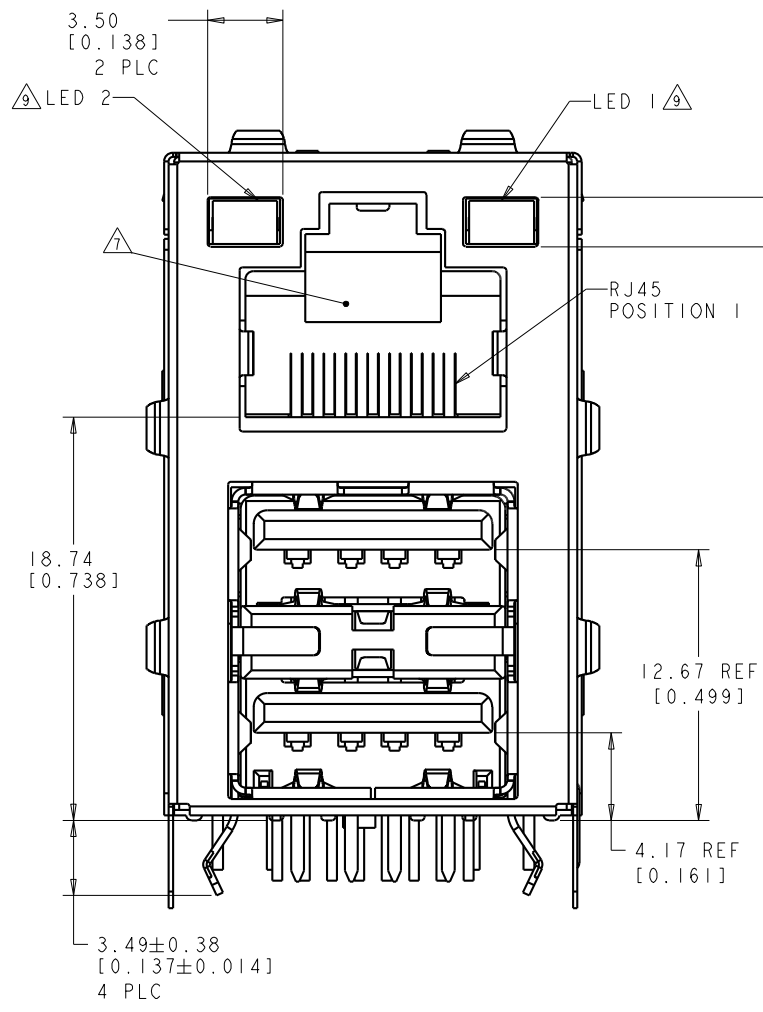
2. RJ45 ELECTRICAL REQUIREMENTS @ 25°C
 MAGNETICS:
 - IMPEDANCE: 100 OHMS
 - OPEN CIRCUIT INDUCTANCE (OCL): 350 uH (min), 0.1 VRMS, 100 KHZ, WITH
 8 mA DC BIAS, T = 0°C TO +70°C
 - TURNS RATIO (CHIP:CABLE): TX: 1:1, RX: 1:1

FREQUENCY	INSERTION LOSS dB (MAX)	RETURN LOSS dB (MIN)
0.5 - 30.0 MHz	1.1	18
30.1 - 60.0 MHz	1.1	18-20LOG(f/30)
60.1 - 80.0 MHz	1.1	12

FREQUENCY	CROSSTALK ATTENUATION dB (MIN)	COMMON MODE REJECTION RATIO dB (MIN)
0.5 - 40.0 MHz	35	30
40.1 - 100.0 MHz	33-20LOG(f/50)	30

- DIELECTRICAL ISOLATION VOLTAGE:
 - 2250 VDC (CUTOFF CURRENT = 1 mA) FOR 60 SECONDS DURATION (PRIMARY
 TO SECONDARY)
 - ALL BRIDGED ON EITHER SIDE OF MAGNETICS PACKAGE FOR RJ-45 CONTACTS

3. PART NUMBER, DATE CODE AND COUNTRY LOCATED IN APPROXIMATE AREA SHOWN.
 DATE CODE: YY IS YEAR, WW IS THE WORK WEEK, D IS DAY OF WEEK WITH SUNDAY=1
4. AGENCY APPROVAL LOGO, TRP CONNECTOR LOGO TO BE LOCATED IN THE APPROXIMATE AREA SHOWN.
5. OPERATING TEMPERATURE: FROM 0°C TO + 70°C
6. DATUM LOCATION AND DIMENSION TO BE ESTABLISHED BY CUSTOMER.
7. RJ45 CAVITY CONFORMS TO FCC RULES AND REGULATION PART 68 SUBPART F.
8. MATING INTERFACE COMPLIES WITH USB (UNIVERSAL SERIAL BUS) SPECIFICATION REV 2.0,
 UTILIZING TRP P/N 292323-1 WITH USB 2.0 CERTIFICATE TEST ID NO. 60000242.
9. LED'S COMPLIANT WITH IEC60825-1 SAFETY OF LASER PRODUCTS.
 WHEN OPERATED AT CURRENT OF 20 mA
10. THE MAGNETIC CIRCUIT IN THIS PART IS DESIGN FOR A NIC CONNECTION. THE TRANSMIT AND
 RECEIVE CHANNELS ARE NOT SYMMETRICAL AND DO NOT SUPPORT AUTO-MDIX OPERATION
11. THESE PARTS ARE RECOMMENDED FOR WAVE SOLDERING PROCESS.
 PEAK SOLDERING TEMPERATURE IS 260°C MAX. 10 SECONDS MAX.



YELLOW	GREEN	6368532-2
GREEN	YELLOW	6368532-1
LED 2	LED 1	PART NUMBER

THIS DRAWING IS A CONTROLLED DOCUMENT.

DIMENSIONS:	TOLERANCES UNLESS OTHERWISE SPECIFIED:	DATE	BY	APPV
mm	0 PLC ±0.25 1 PLC ±0.25 2 PLC ±0.25 3 PLC ±0.25 4 PLC ±0.25	27JAN2005	M. D. LONG	
		27JAN2005	B. LAPPIN	
		27JAN2005	S. FLICKINGER	

MODEL NAME: MAGJACK

PRODUCT SPEC: OVER USB NON-PoE

APPLICATION SPEC:

CUSTOMER DRAWING

SCALE: 6:1

SHEET 1 OF 2

REV H

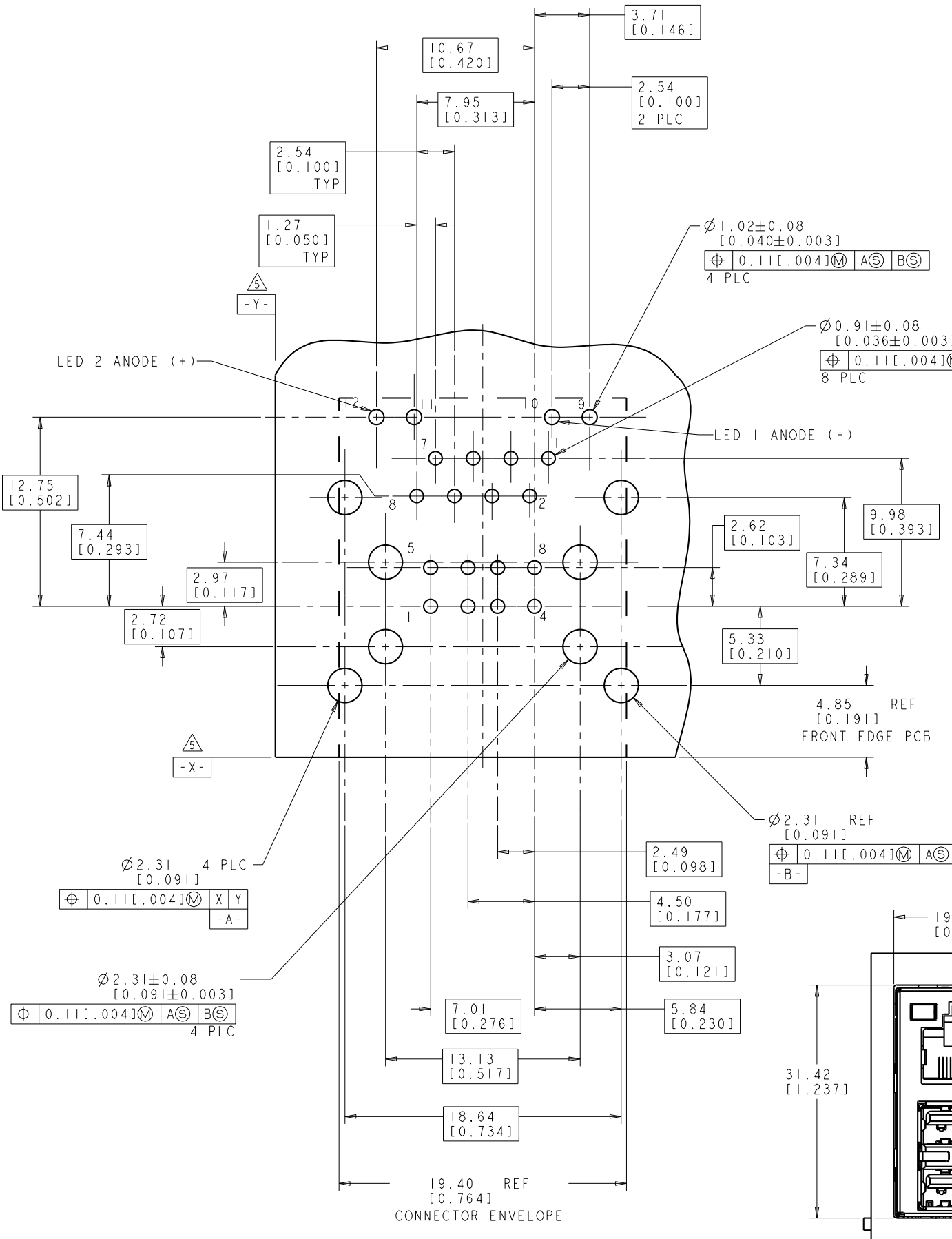
trp CONNECTOR DONGGUAN CHINA

MAGJACK OVER DUAL USB UR214, 10/100 CIRCUIT, W/LEDS

SIZE: A1

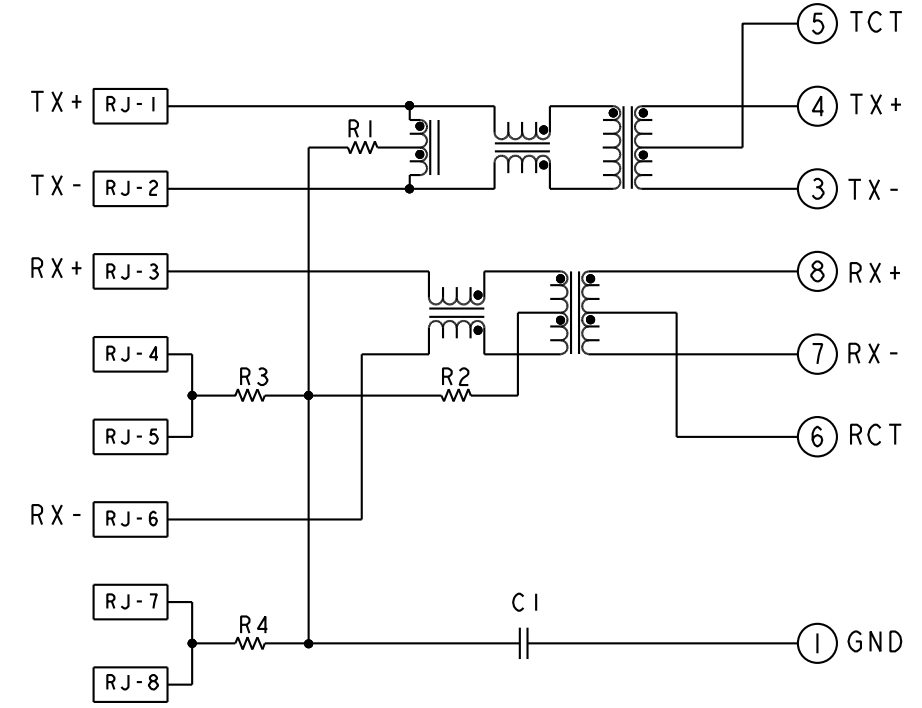
CAGE CODE: -

DRAWING NO: C-6368532

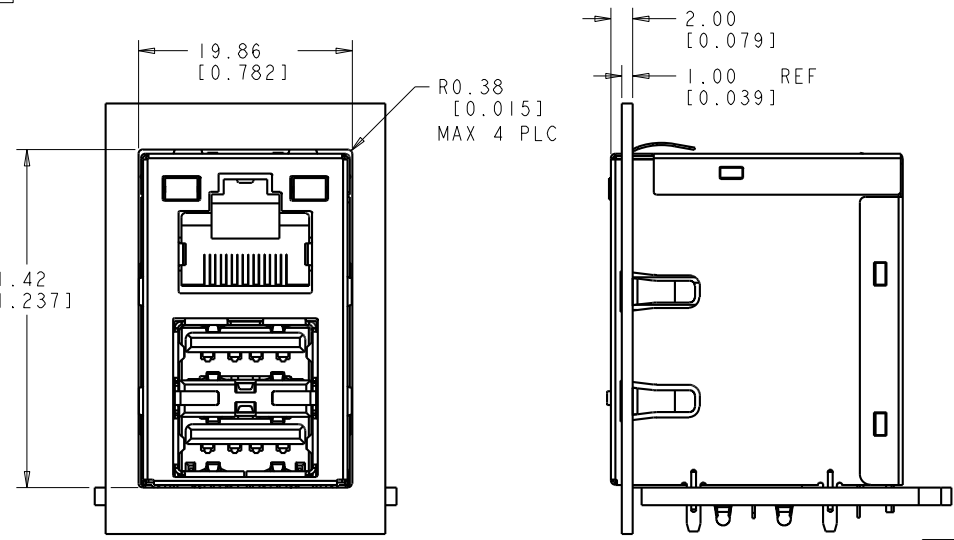
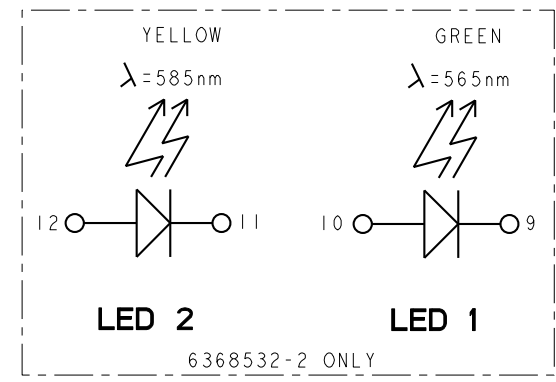
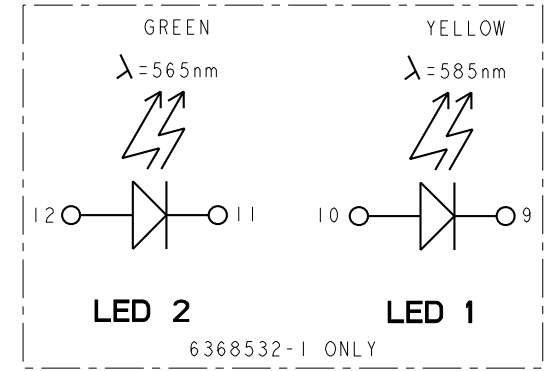


RECOMMENDED P.C.B. FOOTPRINT
COMPONENT SIDE

Circuit UR214 Schematic



R1 - R4 = 75 Ohms, 1/16w, 5% RESISTORS
C1 = 1000pF, 2kV DECOUPLING CAPACITOR



SUGGESTED PANEL CUT-OUT DIMENSIONS
SCALE 3:1

THIS DRAWING IS A CONTROLLED DOCUMENT.		DWN M. D. LONG 27JAN2005 CRK B. LAPPIN 27JAN2005 APVD S. FLECKINGER 27JAN2005	DONGGUAN CHINA
DIMENSIONS: mm TOLERANCES UNLESS OTHERWISE SPECIFIED: 0 PLC ±0.25 1 PLC ±0.25 2 PLC ±0.25 3 PLC ±0.25 4 PLC ±0.25	PRODUCT SPEC APPLICATION SPEC	MODEL NAME: MAGJACK OVER USB NON-POE	DESC: MAGJACK OVER DUAL USB UR214, 10/100 CIRCUIT, W/LEDS SIZE: A1 DRAWING NO: 6368532 SCALE: 3:1 SHEET: 2 OF 2 REV: H