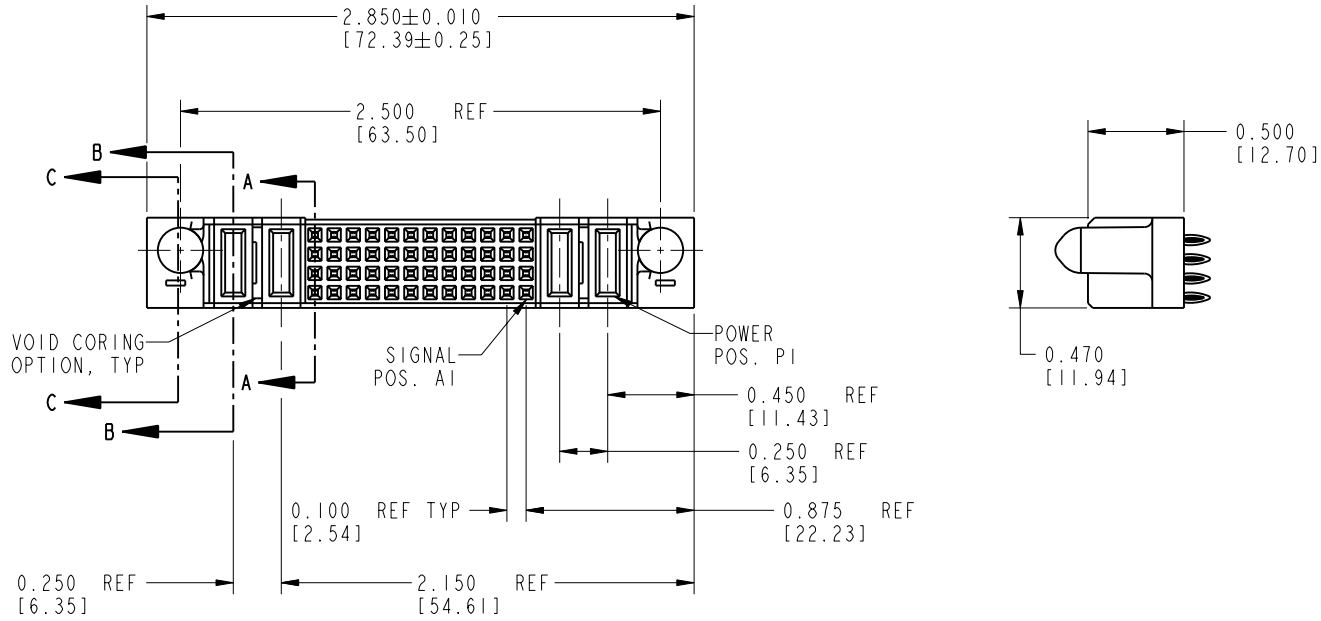


Tous droits strictement réservés. Reproduction ou communication o des liens interdite sous quelque forme que ce soit sans autorisation écrite du propriétaire. Propriété de c FCI. Droits de reproduction FCI.



All rights strictly reserved. Reproduction or issue to third parties in any form, whenever is not permitted without written authority from the proprietor. Property of FCI. Copyright FCI.

PRODUCT No.	ROWS	POWER			SIGNAL									POWER		E1					
		E2	P4	P3	12	11	10	9	8	7	6	5	4	3	2		1	P2	P1		
51750-014-- Note: ③	D C B A		PF	PC	F	F	F	F	F	F	F	F	F	F	F	F	F	F	PC	PF	



CODE	DIM "M"		CONTACT TYPE
	±0.010 [0.25]		
F	N/A	[N/A]	SIGNAL
PC	0.042	[1.07]	POWER
PF	0.092	[2.34]	POWER

mat'l code				NOTE 1		tolerances unless otherwise specified		CUSTOMER		FCI	
ltr	ecn no.	dr	date	linear	.XX±.01/0.X±0.3		COPY		www.fciconnect.com		
A	V10899	JWS	02-22-01		.XXX±.005/0.XX±0.13		projection		title		
B	V10982	JWS	03-08-01		.XXX±.0020/.XXX±.051				2P + 48S + 2P VERTICAL PRESS-FIT RECEPTACLE		
C	DG05-0181	SJ	06/21/05	angles	0°±2°		INCH/MM		product family		code
D	DG06-0265	JMG	07/03/06		dr		J. SHAFFER	02-22-01	PwrBlade		213
				engr	J. DODDS	02-22-01	scale		size		sheet
				chr	J. DODDS	02-22-01	1:1		dwg no		1 of 4
				appd	J. DODDS	02-22-01			A		51750-014
sheet index		revision sheet		D	D	D	D				
1		2		1	2	3	4				

1 | 2

Pro/E

3 |

cage code 22526

4

PDM: Rev:D

STATUS: Released

Printed: Dec 20, 2010

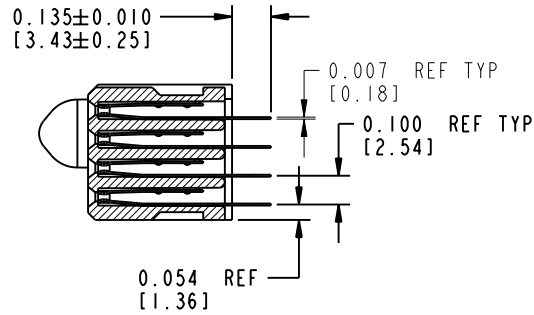
Tous droits strictement réservés. Reproduction ou communication o des liers interdite sous quelque forme que ce soit sans autorisation écrite du propriétaire. Propriete de c FCI. Droits de reproduction FCI.



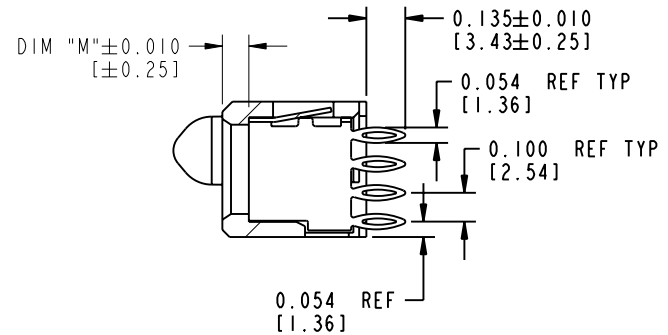
All rights strictly reserved. Reproduction or issue to third parties in any form, whatever is not permitted without written authority from the proprietor. Property of FCI. Copyright FCI.

PRODUCT NUMBER

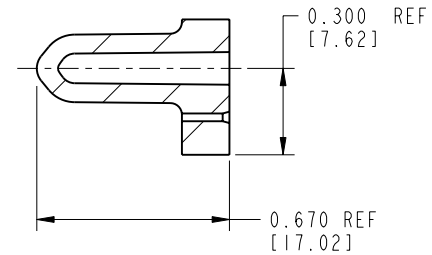
51750-014__
Note: ③



SECTION A-A
SCALE 3:2



SECTION B-B
SCALE 3:2



SECTION C-C
SCALE 3:2

mat'l code		NOTE 1		tolerances unless otherwise specified		CUSTOMER		FCI	
lfr	ecn no.	dr	date	linear	.XX±.01/0.X±0.3	projection	COPY	www.fciconnect.com	
D				angles	.XXX±.005/0.XX±0.13		title	2P + 48S + 2P	
				dr	.XXX±.0020/.XXX±.051	INCH/MM	product family	PwrBlade	code
				enrg	0°±2°	scale	size	dwg no	213
				chr	J. SHAFFER 02-22-01	1:1	A	51750-014	sheet
				appd	J. DODDS 02-22-01				2
sheet index	revision sheet								

Pro/E

cage code 22526

PDM: Rev:D

STATUS: Released

Printed: Dec 20, 2010

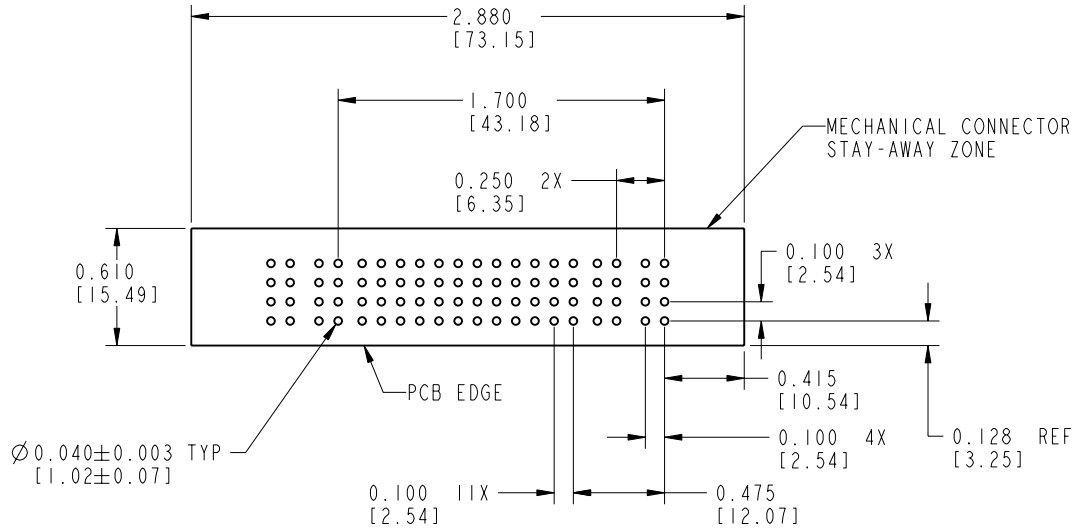
Tous droits strictement réservés. Reproduction ou communication o des liens interdite sous quelque forme que ce soit sans autorisation écrite du propriétaire. Propriété de c FCI. Droits de reproduction FCI.



All rights strictly reserved. Reproduction or issue to third parties in any form whatever is not permitted without written authority from the proprietor. Property of FCI. Copyright FCI.

PRODUCT NUMBER

51750-014__
Note: ③



RECOMMENDED PCB LAYOUT

mat'l code		NOTE 1		tolerances unless otherwise specified		CUSTOMER		FCI		www.fciconnect.com	
lfr	ecn no.	dr	date	linear	.XX±.01/0.X±0.3	COPY		projection		title	
D				angles	.XXX±.005/0.XX±0.13	INCH/MM		VERTICAL PRESS-FIT RECEPTACLE		2P + 48S + 2P	
				dr	.XXX±.0020/.XXX±.051	scale		product family		code	
				enqr	0°±2°	1:1		PwrBlade		213	
				chr				size		sheet	
				appd				A		3	
sheet index		revision sheet						51750-014			

cage code 22526

Pro/E

PDM: Rev:D

STATUS: Released

Printed: Dec 20, 2010

Tous droits strictement réservés. Reproduction ou communication o des liers interdite sous quelque forme que ce soit sans autorisation écrite du propriétaire. Propriete de c FCI. Droits de reproduction FCI.



All rights strictly reserved. Reproduction or issue to third parties in any form whatever is not permitted without written authority from the proprietor. Property of FCI. Copyright FCI.

PRODUCT NUMBER

51750-014__
Note: ③

CONNECTOR NOTES:

1. FOR ADDITIONAL INFORMATION, REFER TO DRAWING NUMBER 51750.

PCB NOTES:

2. ALL DIMENSIONS ARE BASIC UNLESS OTHERWISE SPECIFIED.
3. 51750-014;51750-014LF;51750-014GLF PLATING SPEC. SEE PRINT:10064183
4. ALL THROUGH HOLES ARE LOCATED WITH A TRUE POSITION OF 0.004 [0.10]
5. ALL HOLE DIAMETERS ARE FINISHED HOLE SIZE
6. $\varnothing 0.0453 \pm 0.0010$ [1.151 \pm 0.025] DRILLED HOLES PLATED WITH 0.0003 [0.008] MIN SnPb OVER 0.001 [0.03] TO 0.003 [0.08] Cu PLATING TO ACHIEVE A $\varnothing 0.040 \pm 0.003$ [1.02 \pm 0.07] HOLE.

CONFIDENTIAL

mat'l code		NOTE 1		tolerances unless otherwise specified		CUSTOMER		FCI		www.fciconnect.com		
lfr	ecr no.	dr	date	linear	.XX±.01/.X±.3		COPY		projection	title		
D					.XXX±.005/.XX±.13		INCH/MM			2P + 48S + 2P		VERTICAL PRESS-FIT RECEPTACLE
				angles	.XXX±.0020/.XXX±.051		1:1		product family	PwrBlade		
					0°±2°		scale			size		code
				dr	J. SHAFFER	02-22-01	A		51750-014		213	
				enr	J. DODDS	02-22-01					sheet	
				chr	J. DODDS	02-22-01					4	
				appd	J. DODDS	02-22-01						
sheet index	revision sheet											

cage code 22526

Pro/E

PDM: Rev:D

STATUS: Released

Printed: Dec 20, 2010