

THE INFORMATION CONTAINED HEREIN IS CONSIDERED "PROPRIETARY" TO BEL FUSE INC. AND SHALL NOT BE COPIED, REPRODUCED OR DISCLOSED WITHOUT THE WRITTEN APPROVAL OF BEL FUSE INC.



LED1 POLARITY			LED2 POLARITY			
PIN 13	PIN 14	COLOR	PIN 15	PIN 16	PIN 17	COLOR
-	+	YELLOW	-	+	/	ORANGE
/	/	/	/	+	-	GREEN
/	/	/	-	+	-	MIXED YELLOW

**ELECTRICAL CHARACTERISTICS @ 25°C**

**URNS RATIO**

TP1	1CT : 1CT ±2%
TP2	1CT : 1CT ±2%
TP3	1CT : 1CT ±2%
TP4	1CT : 1CT ±2%

OCCL @ 100kHz/100mVRMS	(0-70 Deg. C)
8mA DC BIAS	350µH MIN.

**INS. LOSS**

0.1MHz TO 1MHz	-1.1 dB MAX
1MHz TO 65MHz	-0.5 dB MAX
65MHz TO 100MHz	-0.8 dB MAX
100MHz TO 125MHz	-1.2 dB MAX

**RET. LOSS (MIN) @ 100 OHMS +/-15%**

0.5MHz-40MHz	-18 dB
40MHz-100MHz	-12+20LOG(f/80MHz) dB

**CM TO CM REJ**

100kHz - 100MHz	-30 dB MIN
-----------------	------------

**CM TO DM REJ**

100kHz - 100MHz	-35 dB MIN
-----------------	------------

**HIPOT (Isolation Voltage): 1500 Vrms / 2250 VDC**

100% OF PRODUCT TESTED IN PRODUCTION

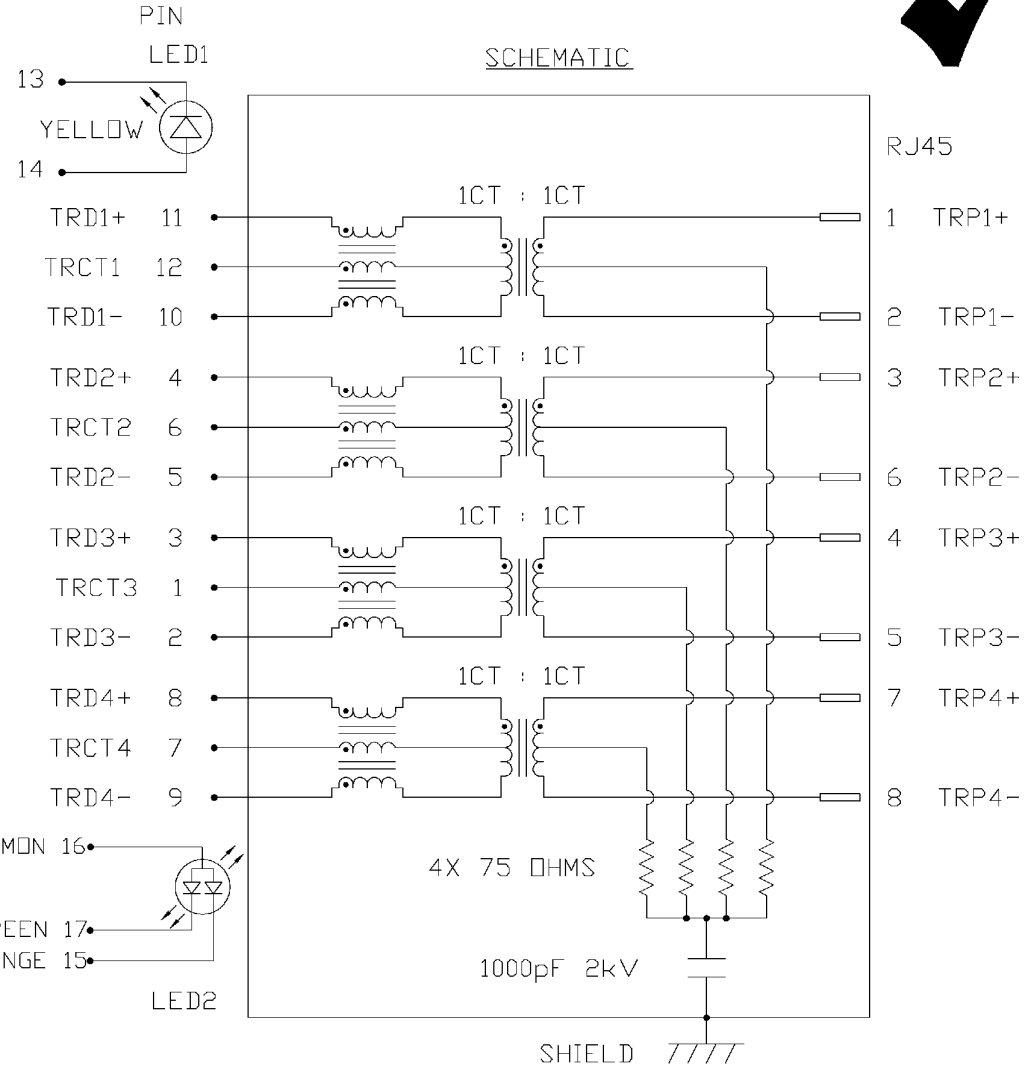
**LED 1**

VF (FORWARD VOLTAGE) IF=20mA YELLOW 2.1V TYP.  
 AD (DOMINANT WAVELENGTH) IF=20mA YELLOW 590nm TYP.

**LED 2**

VF (FORWARD VOLTAGE) IF=20mA YELLOW GREEN 2.2V TYP.  
 AMBER 2.1V TYP.  
 AD (DOMINANT WAVELENGTH) IF=20mA YELLOW GREEN 570nm TYP.  
 AMBER 607nm TYP.

MIXED YELLOW DOES NOT HAVE SPECIFIC WAVELENGTH.



ORIGINATED BY	DATE	TITLE
CHOU WANCHONG	03-17-08	gigabit MagJack® (Ultra Low Profile)
DRAWN BY	DATE	
DENG PING	03-17-08	

PART NO. / DRAWING NO.	STANDARD DIM.	[ ] METRIC DIM. AS REFERENCE
L836-1JX1-43	TOL. IN INCH	UNIT : INCH [mm]
FILE NAME	.X	SCALE : N/A
L836-1JX1-43_A.DWG	.XX	SIZE : A4
	.XXX	PAGE : 2

REV. : A
----------

SIZE : A4
-----------

REV. : A
SIZE : A4
PAGE : 2

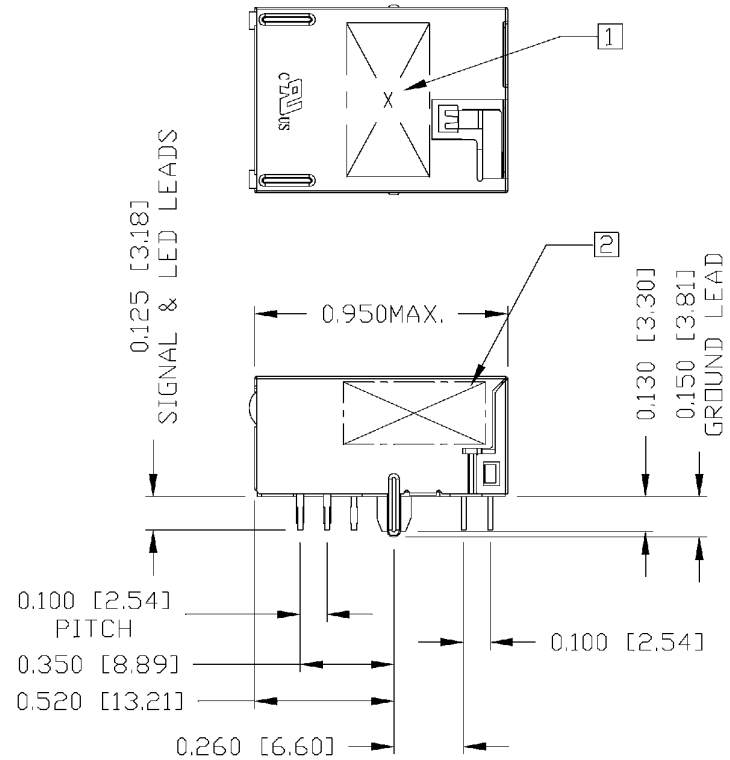
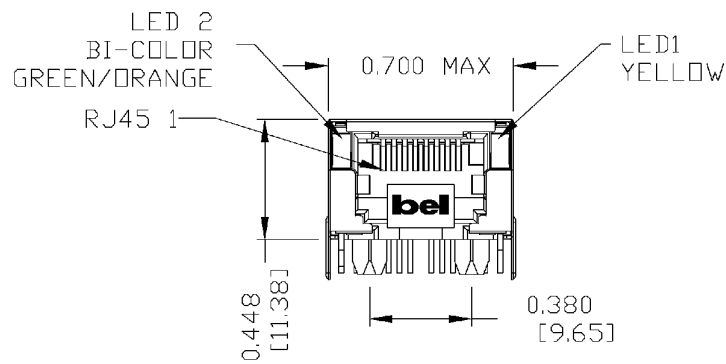


THE INFORMATION CONTAINED HEREIN IS CONSIDERED "PROPRIETARY" TO BEL FUSE INC. AND SHALL NOT BE COPIED, REPRODUCED OR DISCLOSED WITHOUT THE WRITTEN APPROVAL OF BEL FUSE INC.

RoHS  
2002/95/EC



MECHANICAL SPECIFICATION



NOTES:

- PLASTIC HOUSING: THERMOPLASTIC PA  
FLAMMABILITY RATING UL 94V-0
- CONTACTS: 30 MICRO-INCH HARD GOLD PLATING
- OUTPUT PINS: TIN-COATED COPPER WIRE, DIA 0.018 INCH (GROUND LEADS ARE SOLDER DIPPED)
- METAL SHIELD: NICKEL PLATED ON COPPER ALLOY.

1. MARK PART WITH PART NUMBER(L836-1JX1-43) AND DATE CODE.

2. MARK PART WITH MFG. LOGO, MFG. NAME.

3. RoHS COMPLIANCE, PER EU DIRECTIVE 2002/95/EC.

US UL RECOGNIZED - FILE #E196366 AND E169987.

ORIGINATED BY	DATE	TITLE	PART NO. / DRAWING NO.	STANDARD DIM. TOL. IN INCH	[ ] METRIC DIM. AS REFERENCE	 COMPONENTS FOR A CONNECTED PLANET	
CHEN BILL	03-17-08	gigabit MagJack® (Ultra Low Profile)	L836-1JX1-43	.X	UNIT : INCH [mm]		REV. : A
DRAWN BY	DATE		FILE NAME	.XX	SCALE : N/A		SIZE : A4
WEI SHADYI	03-17-08	L836-1JX1-43_A.DWG	.XXX	±0.010	⊕		PAGE : 3

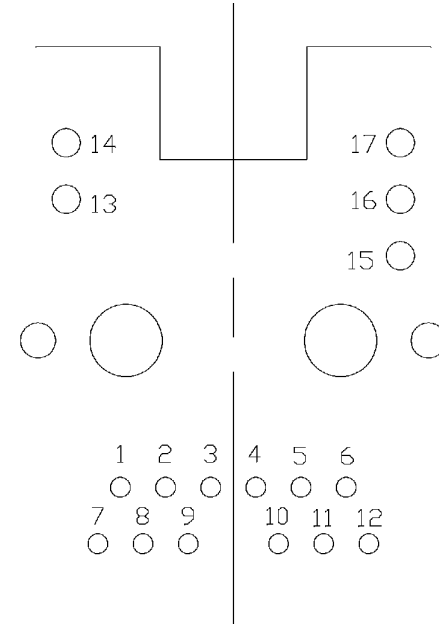
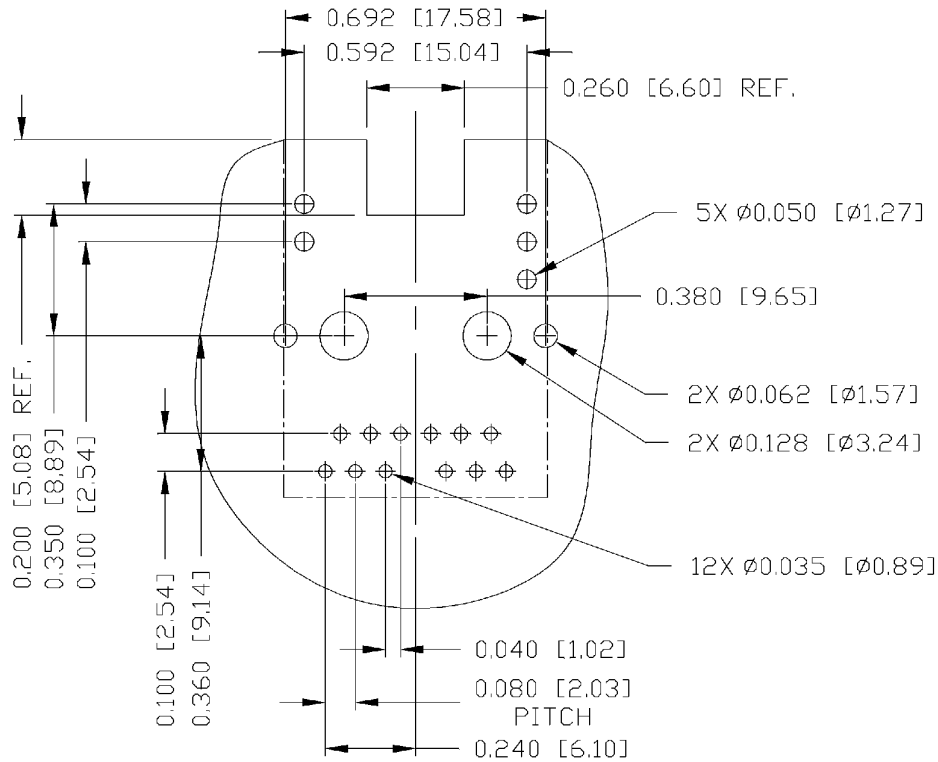
THE INFORMATION CONTAINED HEREIN IS CONSIDERED "PROPRIETARY" TO BEL FUSE INC. AND SHALL NOT BE COPIED, REPRODUCED OR DISCLOSED WITHOUT THE WRITTEN APPROVAL OF BEL FUSE INC.

RoHS  
2002/95/EC



RECOMMENDED PCB FOOTPRINT

COMPONENT SIDE VIEW



PIN-OUT INFORMATION

(SCALE 1.5:1)

FOR ONE UNIT

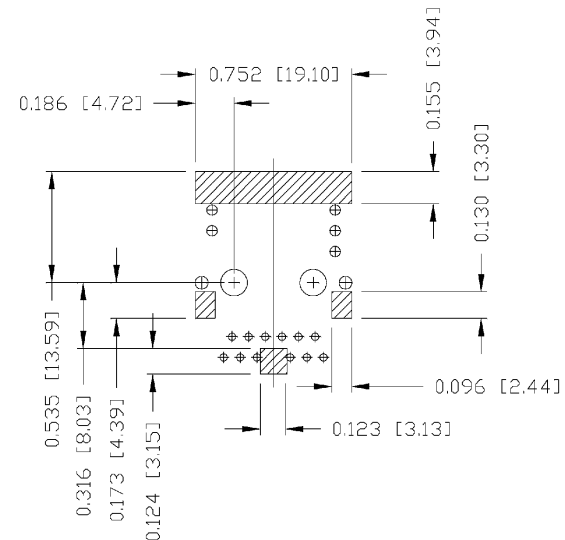
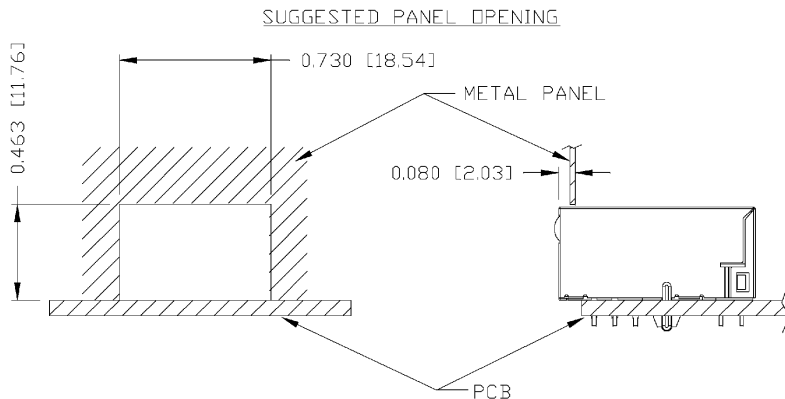
ORIGINATED BY	DATE	TITLE	PART NO. / DRAWING NO.	STANDARD DIM. TOL. IN INCH	[ ] METRIC DIM. AS REFERENCE
CHEN BILL	03-17-08	gigabit MagJack® (Ultra Low Profile)	L836-1JX1-43	.X	UNIT : INCH [mm] REV. : A
DRAWN BY	DATE		FILE NAME	.XX	SCALE : N/A SIZE : A4
WEI SHAOYI	03-17-08		L836-1JX1-43_A.DWG	.XXX ±0.004	PAGE : 4



THE INFORMATION CONTAINED HEREIN IS CONSIDERED "PROPRIETARY" TO BEL FUSE INC. AND SHALL NOT BE COPIED, REPRODUCED OR DISCLOSED WITHOUT THE WRITTEN APPROVAL OF BEL FUSE INC.



KEEP OUT AREA



**NOTE:**

THE DISTANCE OF PANEL INSIDE SURFACE RELATIVE TO FRONT SURFACE OF PART IS ONLY A SUGGESTION. IN CASE THIS DISTANCE IS DIFFERENT, THE REQUIRED PANEL OPENING DIMENSIONS CHANGE ACCORDINGLY.

**TRAY PACKING INFORMATION**

PACKING TRAY : 0200-9999-E4 (TOP)  
0200-9999-E5 (BOTTOM)

PACKING QUANTITY : 60 PCS FINISHED GOODS PER TRAY  
11 TRAYS (660 PCS FINISHED GOODS) PER CARTON BOX

NOTE : CARDBOARDS ARE PLACED BETWEEN LAYERS OF PACKING TRAY INSIDE CARTON BOX (INCLUDE THE UPPERMOST AND LOWERMOST TRAY)

THE SHADED AREA ON THE CUSTOMER BOARD ARE RECOMMENDED TO BE CLEAR OFF ANY VIA HOLE OR COMPONENT PAD.

ORIGINATED BY	DATE	TITLE	PART NO. / DRAWING NO.	STANDARD DIM.	[ ] METRIC DIM. AS REFERENCE
CHEN BILL	03-17-08	gigabit MagJack® (Ultra Low Profile)	L836-1JX1-43	TOL. IN INCH	UNIT : INCH [mm] REV. : A
DRAWN BY	DATE		FILE NAME	.X	SCALE : N/A
WEI SHAOYI	03-17-08		L836-1JX1-43_A.DWG	.XX	PAGE : 5
				.XXX	±0.010

