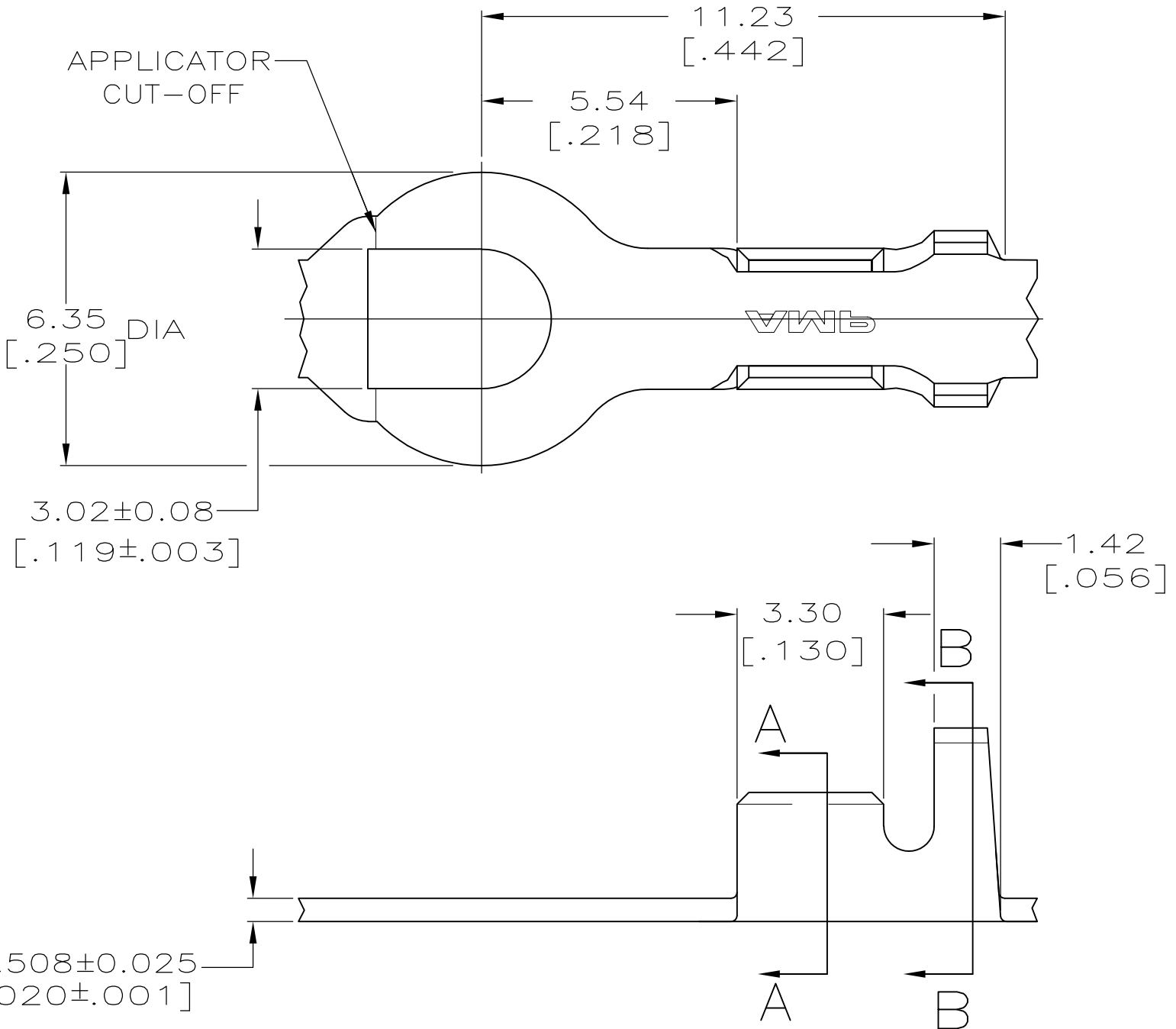
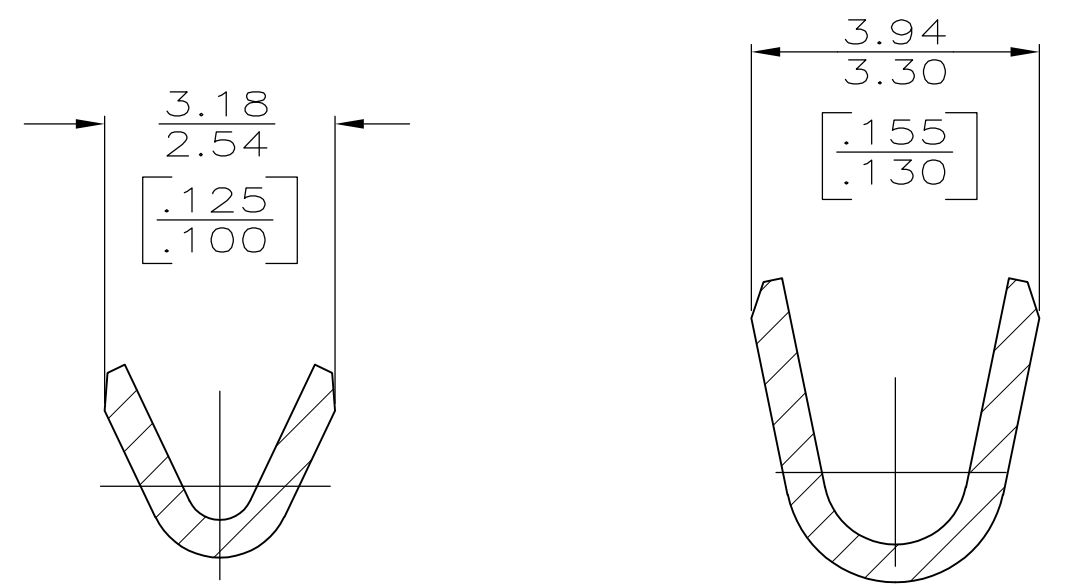


THIS DRAWING IS UNPUBLISHED. RELEASED FOR PUBLICATION  
 © COPYRIGHT BY TYCO ELECTRONICS CORPORATION. ALL INTERNATIONAL RIGHTS RESERVED.

LOC	DIST	REVISIONS					
AF	50	P	LTR	DESCRIPTION	DATE	DWN	APVD
		B		REVISED PER ECR-10-006099	08JUL10	HMR	PD



1. CONTINUOUS STRIP ON REEL.



1.90-2.54 DIA [.075-.100]	[24-20] AWG	61238-1
INSULATION RANGE	WIRE RANGE	PART NO

THIS DRAWING IS A CONTROLLED DOCUMENT.		DWN PHILLIP M FORTNEY 09/MAR/95	Tyco Electronics Tyco Electronics Corporation Harrisburg, PA 17105-3608	
DIMENSIONS: mm [INCHES]		CHK JEFF R RUTH 09/MAR/95	NAME SPADE	
TOLERANCES UNLESS OTHERWISE SPECIFIED:		APVD GARY YETTER 09/MAR/95	SIZE A3	
0 PLC ± -		PRODUCT SPEC	CAGE CODE 00779	DRAWING NO G-61238
1 PLC ± -		APPLICATION SPEC	RESTRICTED TO	
2 PLC ± 0.25 [.010]		WEIGHT	SCALE 8:1	
3 PLC ± -		FINISH TIN	SHEET 1 OF 1	
4 PLC ± -		MATERIAL 082 BRASS	REV B	
ANGLES ± -		CUSTOMER DRAWING		