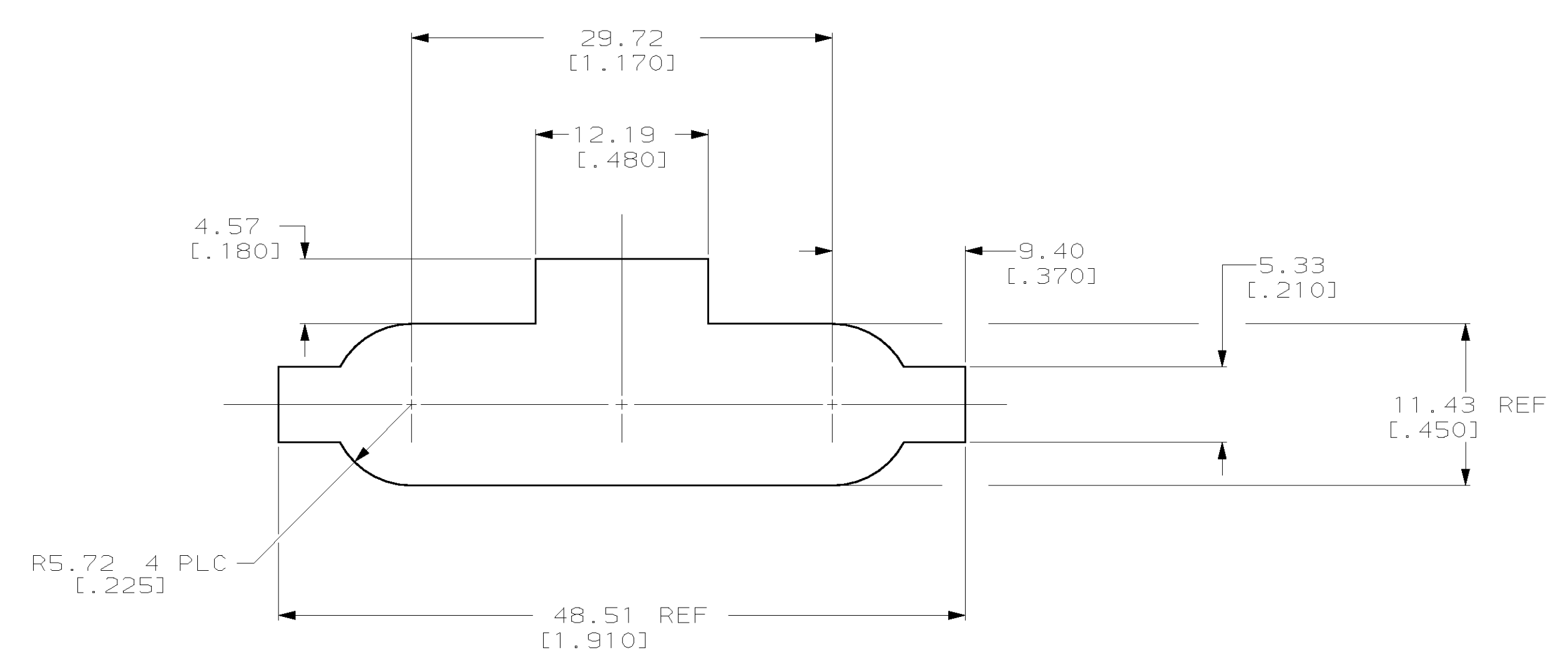
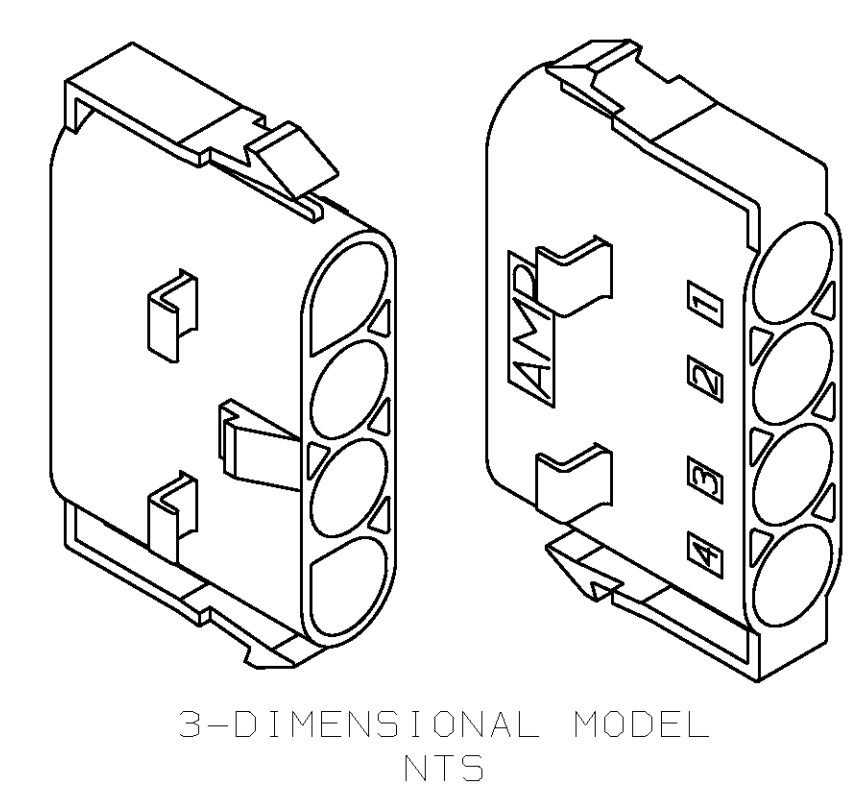
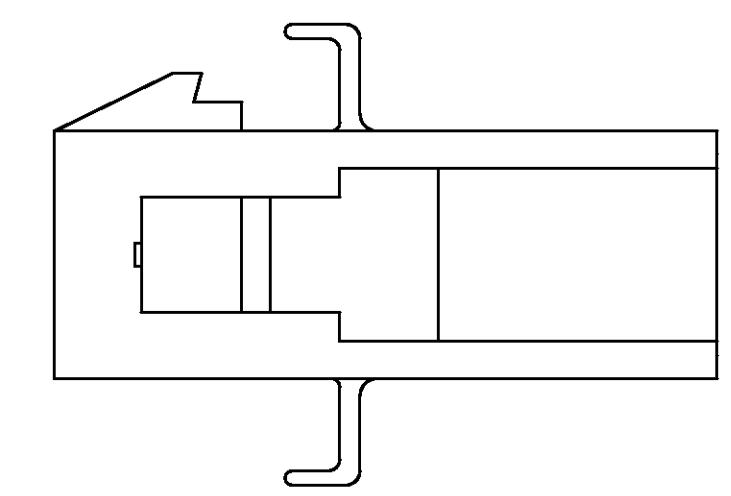
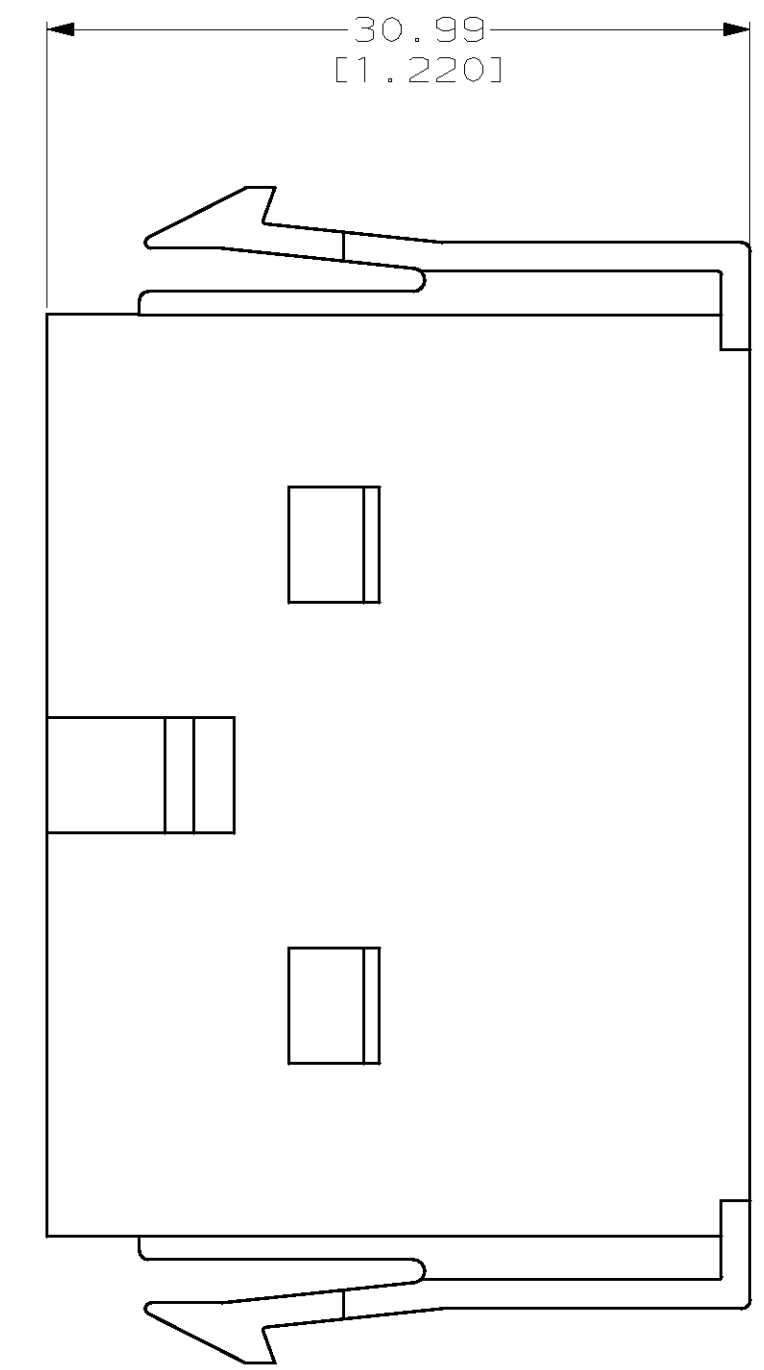
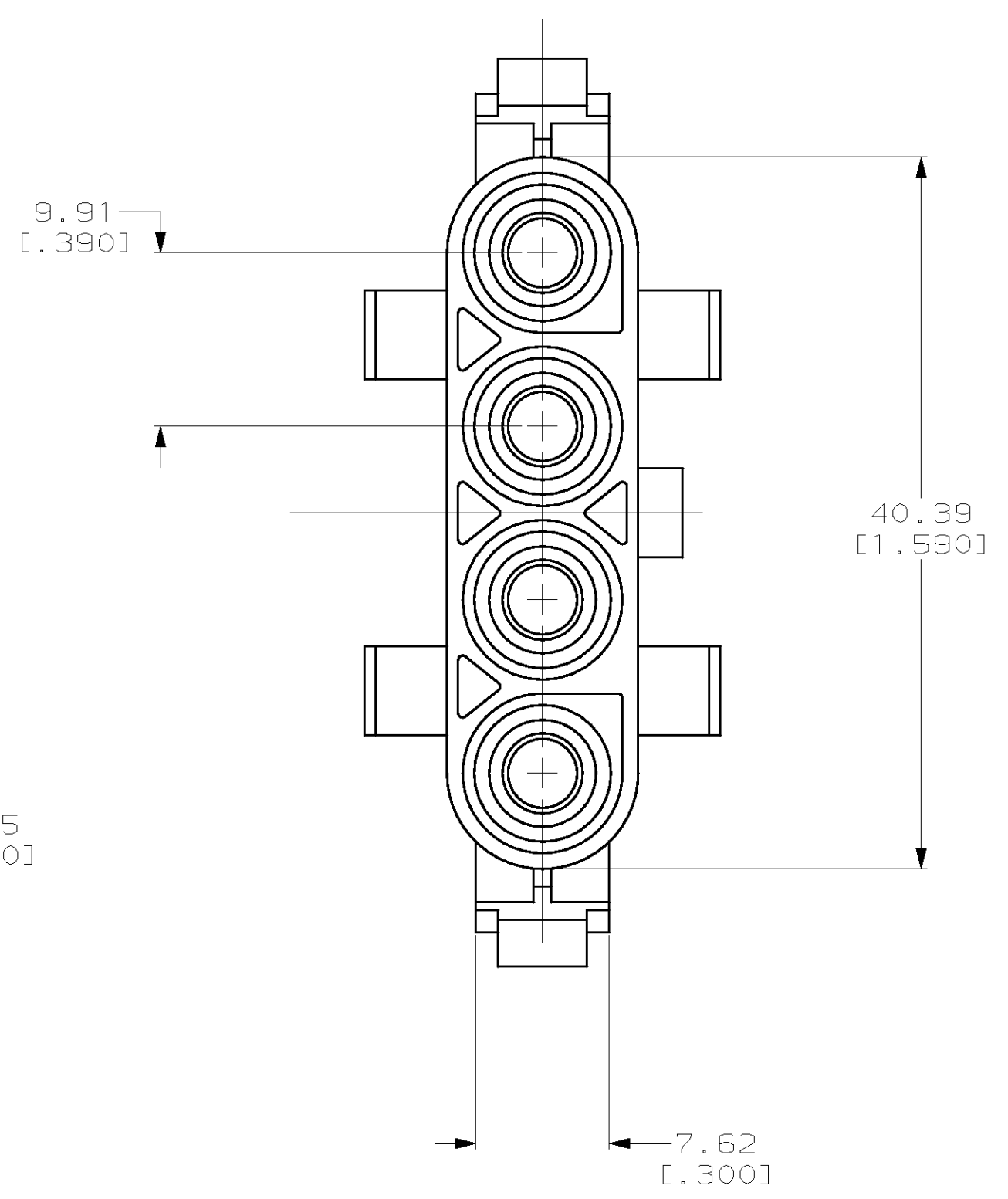
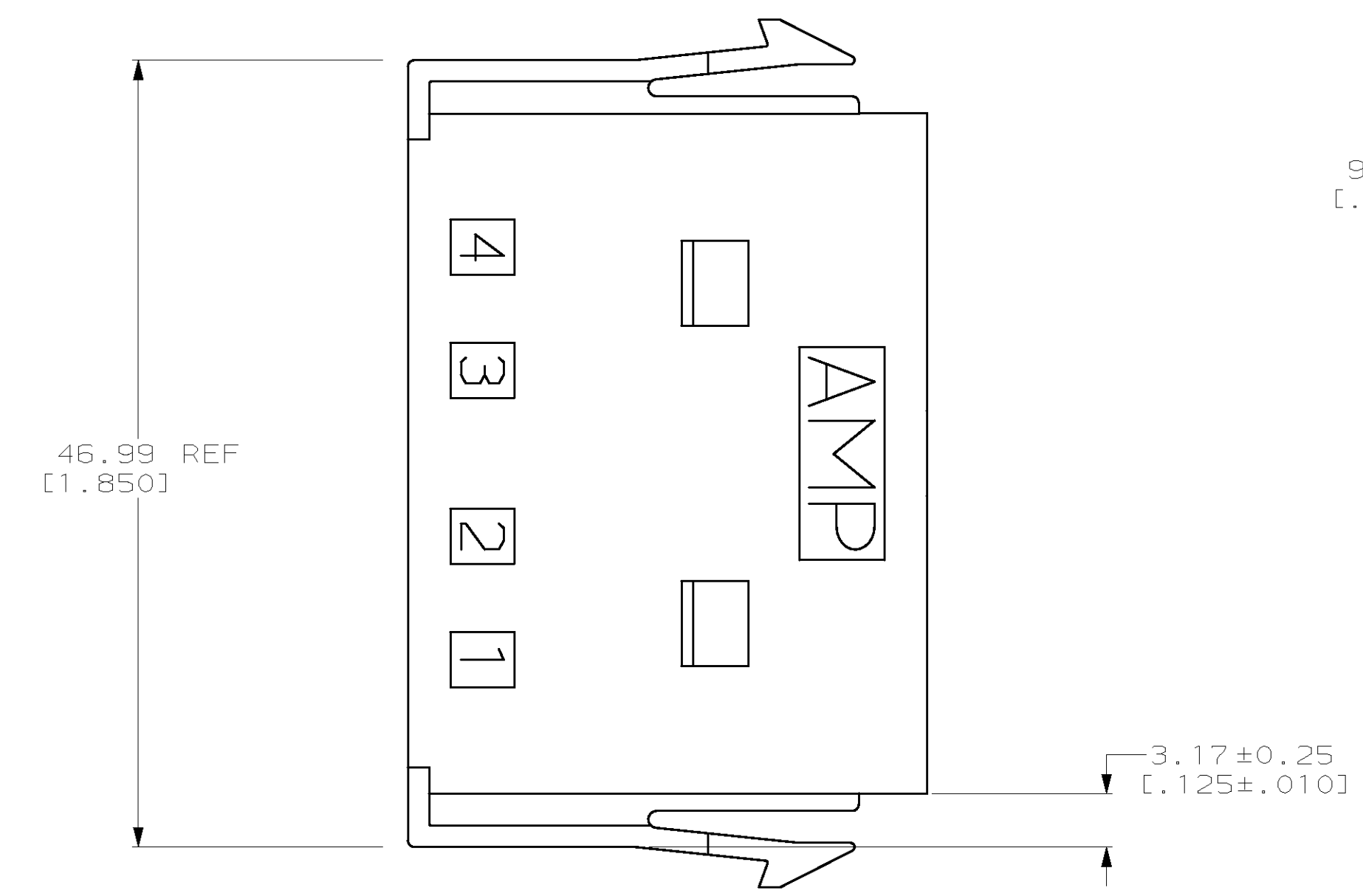


LOC	QTY	REV	DATE	OWN	APPROV
CM	53				

REVISIONS					
REV	DESCRIPTION	DATE	OWN	APPROV	
C	REV PER EC 061B-0243-98	30-DEC-98	JH	RS	

1. TO BE USED WITH APPROPRIATE .156 MATE-N-LOK PINS.
2. PANEL MUST BE PUNCHED SO THAT THE HOUSING ENTERS THE PANEL IN THE SAME DIRECTION AS THE PUNCH.
3. DIMENSIONS IN BRACKETS ARE IN INCHES.



RECOMMENDED CUT OUT FOR 0.76 [.030] TO 2.29 [.090] THICK PANEL

794118-1  
PART NUMBER



THIS DRAWING IS A CONTROLLED DOCUMENT.		OWN D. LEWIS 4-19-98	AMP Incorporated Harrisburg, PA 17105-3608
DIMENSIONS INCHES	TOLERANCES UNLESS OTHERWISE SPECIFIED:	CHK R. SWING 4-19-98	AMP
0 PLC ±	1 PLC ±	APPROV J.C. MARTIN 4-30-98	CAP, PANEL MOUNT, 4 CIRCUIT, .156, MATE-N-LOK™
2 PLC ±	3 PLC ±	PRODUCT SPEC	SIZE A1
4 PLC ±	5 PLC ±	APPLICATION SPEC	CAGE CODE 00779
MATERIAL NYLON UL94V-2	FINISH -	HEIGHT -	DRAWING NO 794118
CUSTOMER DRAWING		SCALE 3:1	SHEET 1 OF 1