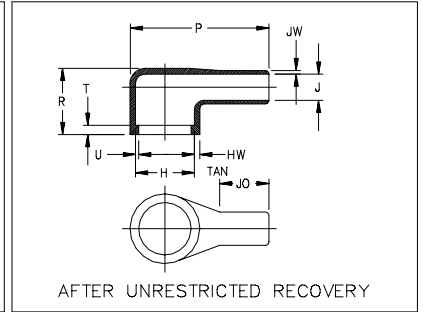
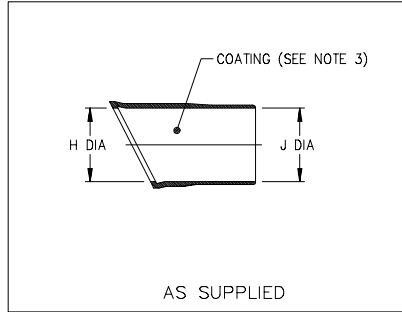


Thermofit<sup>®</sup> Molded Parts  
 Specification Control Drawing  
 Limited Distribution

Part Number : 222D2XX-X-01  
 Description : Boot, 90°, With Lip

NOTES

- All dimensions are in  $\frac{\text{inches}}{\text{millimeters}}$
- Dimensions appearing in table are as follows:  
 a - As Supplied  
 b - After Unrestricted Recovery
- Coating is optional. As supplied dimensions appearing in table are for uncoated parts. When coating is added, entry diameters will be reduced by .06 max.



PART NUMBER	H		J		P ±10%	R Ref	T Ref	U Ref	JO Ref	HW ±20%	JW ±20%
	Min	Max	Min	Max							
	a	b	a	b							
222D211-X-01	.88 [22,3]	.45 [5,1]	.88 [22,3]	.25 [6,3]	1.90 [48,2]	.73 [18,5]	.12 [3,0]	.04 [1,0]	1.21 [30,7]	.06 [1,5]	.045 [1,1]
222D221-X-01	1.01 [25,7]	.59 [15,0]	1.01 [25,7]	.29 [7,4]	2.36 [59,9]	.78 [19,8]	.12 [3,0]	.04 [1,0]	1.38 [35,0]	.06 [1,5]	.045 [1,1]
222D232-X-01	1.16 [29,5]	.74 [18,8]	1.16 [29,5]	.33 [8,4]	3.00 [76,2]	.82 [20,8]	.12 [3,0]	.04 [1,0]	1.74 [44,2]	.07 [1,8]	.045 [1,1]
222D242-X-01	1.34 [34,0]	.90 [22,9]	1.34 [34,0]	.38 [9,7]	2.10 [53,3]	.86 [21,8]	.12 [3,0]	.04 [1,0]	.54 [13,7]	.07 [1,8]	.045 [1,1]
222D263-X-01	1.72 [43,7]	1.34 [34,0]	1.72 [43,2]	.48 [12,2]	5.00 [127,0]	1.08 [27,4]	.12 [3,0]	.065 [1,6]	3.25 [82,5]	.08 [2,0]	.045 [1,1]

If this document is printed it becomes uncontrolled.  
 Check for the latest revision.

**Raychem**

RAYCHEM CORPORATION  
 300 CONSTITUTION DRIVE  
 MENLO PARK, CALIFORNIA 94025

Revision : D  
 Date : 3/29/00

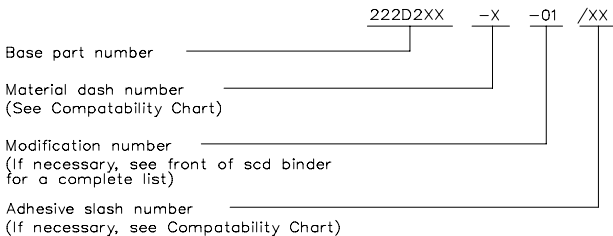
Part Number : 222D2XX-X-01  
 Description : Boot, 90°, With Lip

Thermofit<sup>®</sup> Molded Parts  
 Specification Control Drawing  
 Limited Distribution

Part Number : 222D2XX-X-01  
 Description : Boot, 90°, With Lip

COMPATABILITY CHART					
MATERIAL DASH NO.	MATERIAL DESCRIPTION	RT SPEC	COATING SLASH NO.	COATING S NO.	COATING DESCRIPTION
-3	Polyolefin, Semi-Rigid	RT-301	N/A		
-4	Polyolefin, Flexible	RT-1304	N/A		
-25	Elastomer, Fluid Resistant	RT-1325	/42	S-1017	Adhesive

ORDERING INFORMATION



THIS DRAWING IS SUBJECT TO CHANGE WITHOUT NOTICE; CONSULT YOUR NEAREST FIELD REPRESENTATIVE FOR CURRENT REVISION

**Raychem**

RAYCHEM CORPORATION  
 300 CONSTITUTION DRIVE  
 MENLO PARK, CALIFORNIA 94025

Revision : D  
 Date : 3/29/00

Part Number : 222D2XX-X-01  
 Description : Boot, 90°, With lip

CAD FILE MP00041