

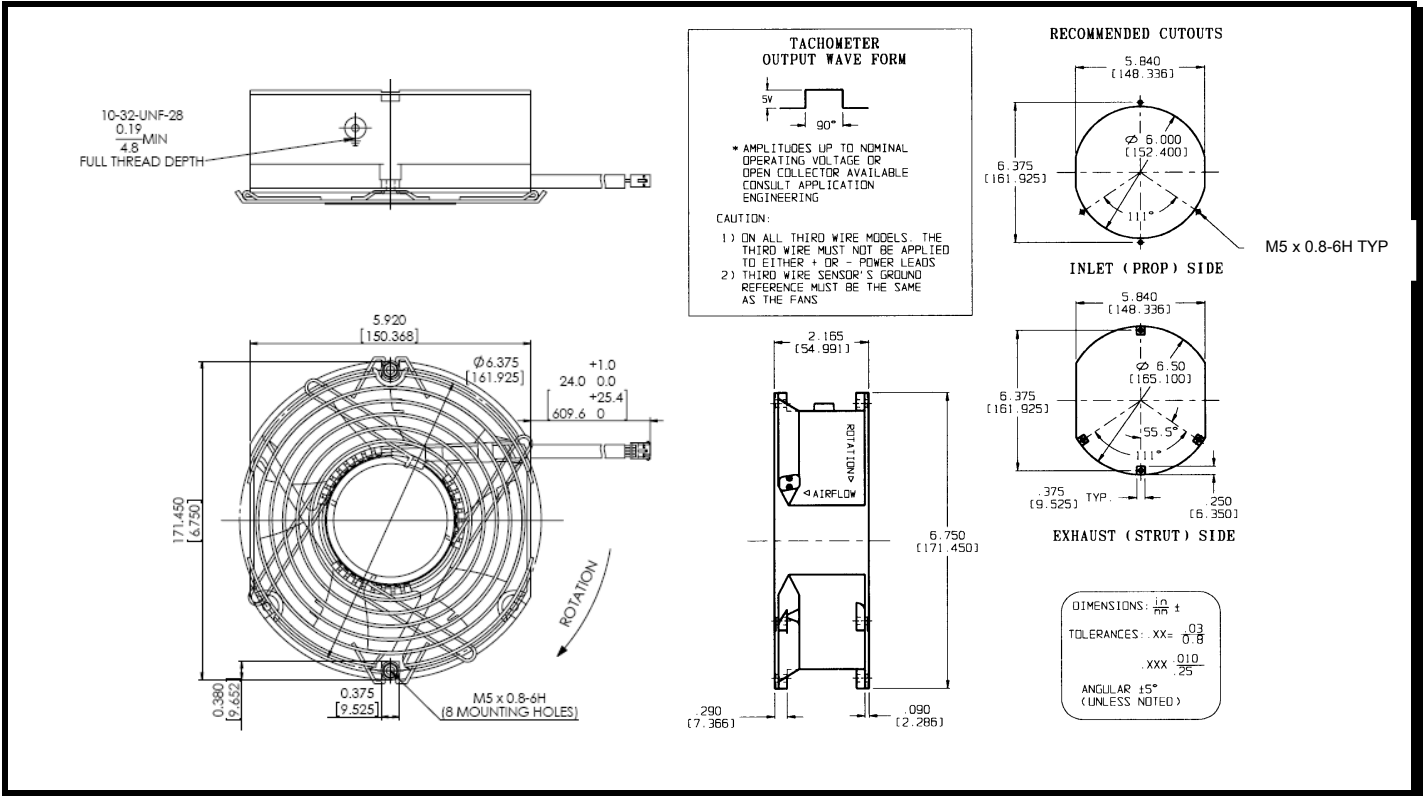
# SPECIFICATIONS



**Model Number:** MT24R0X-E2  
**Part Number:** 19041196A

**Reversion:** 03  
**Aug 02, 2015**

## Mechanical Drawing:



### Motor:

Nominal Voltage = 24 vdc  
 Operating Voltage Range = 12 - 28 vdc  
 Nominal Running Current = 1.70 amps  
 Max. Locked Rotor Current = 3.50 amps  
 Running Power = 41.0 watts  
 Speed = 4000 ± 10% RPM  
 Bearings = Ball  
 Air Flow = 345 CFM  
 Acoustic = 60.6 dBA

### Construction:

Venturi: Aluminum, Black.  
 Propeller: Plastic, Black, UL94V-0

### Life Expectancy:

This fan is designed for continuous duty life of 90,000 hours at 40°C.

### Agency Approved:

UL, CE

### Additional Features:

Brushless DC Motor  
 Electronic Locked Rotor Protected  
 Polarity Protected  
 Automatic Restart Capability  
 Operating Temperature: -10°C to 70°C  
 Storage Temperature: -40°C to 85°C  
 Enviroshield: Type 2  
 Programmable Speed Control  
 M5 tapped mounting holes – all faces  
 Finger Guard attached to strut. Side

### Tachometer:

Output: Open Collector  
 I<sub>c</sub>: 5 mA Typical  
 Isolated: No  
 Pulses per Revolution: 2

### Termination:

24" Harness, fan edge/tip of connector, 22 AWG, UL 1007

Connector: Tyco 350780-1

Terminals: Tyco 350561-3

Wire Seal: Tyco 794274-1

Pin 1: Tachometer (Blue)

Pin 2: Negative: Fan Ground (Black)

Pin 3: Positive: Fan Power (Red)

Pin 4: Program Lead (Yellow)

### Program Speed Control

Control signal type: PWM

Control signal freq: 4 KHz

PWM amplitude: Insensitive, 3VDC – 28VDC

Speed control profile

Duty Cycle (%)	Speed (RPM) W/ Tolerance (%)
0	0
10	0
15	1000 ± 10%
20	2000 ± 10%
25	2000 ± 10%
50	2650 ± 10%
75	3300 ± 10%
80	3500 ± 10%
100	4000 ± 10%

s

### PO Curve

