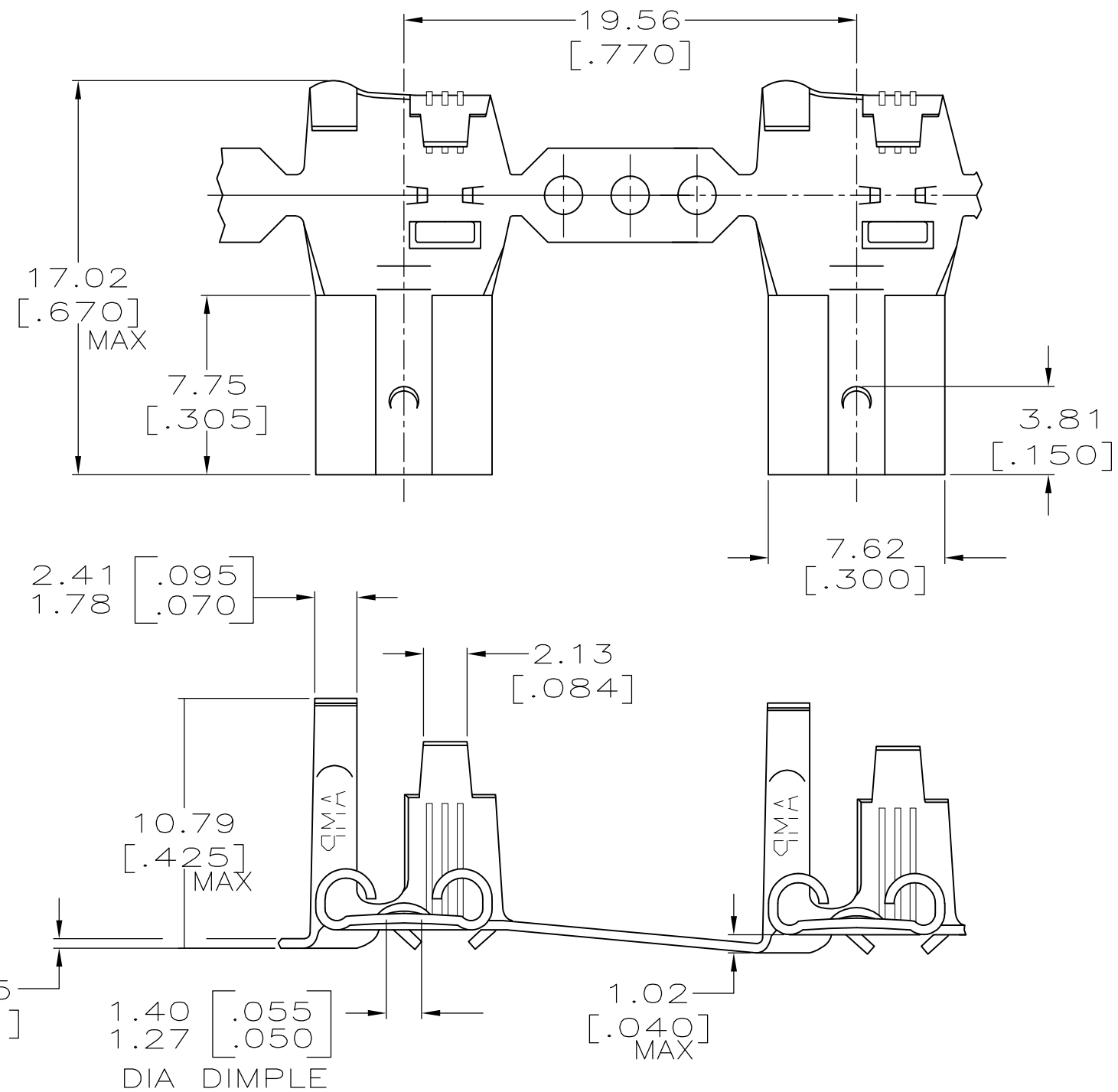



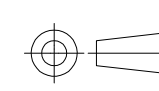
THIS DRAWING IS UNPUBLISHED. RELEASED FOR PUBLICATION
 © COPYRIGHT - By - ALL RIGHTS RESERVED.

LOC	DIST	REVISIONS			
P	LTR	DESCRIPTION	DATE	DWN	APVD
AF	50	Y	REVISED PER ECR-12-013445	09NOV12	KH PD

- CONTINUOUS STRIP ON REELS
- WIRE SIZE IS FOR AN [#18-#12] AWG.
- INSULATION RANGE 2.79-5.33 [.110-.210] DIA.
- MATING TAB THICKNESS TO BE 0.81 ± 0.025 [.032 ± .001]



60645-1
PART NO.

THIS DRAWING IS A CONTROLLED DOCUMENT.		DWN	JR RUTH	8/11/95	 TE Connectivity RECEPTACLE, FASTON, FLAG, 6.35 [.250] SERIES				
DIMENSIONS:		CHK	MS FEHER	8/11/95				NAME	
mm [INCHES]		APVD	P DESANTIS	8/11/95				SIZE	
		PRODUCT SPEC		CAGE CODE					
TOLERANCES UNLESS OTHERWISE SPECIFIED:		APPLICATION SPEC		DRAWING NO		RESTRICTED TO			
0 PLC ± -		-		A3 00779 C-60645		-			
1 PLC ± -		-		SCALE		SHEET			
2 PLC ± 0.38 [.015]		-		4:1		1 OF 1			
3 PLC ± -		-		REV		Y			
4 PLC ± -		-		CUSTOMER DRAWING		-			
ANGLES ± -		-		-		-			
FINISH		-		-		-			
MATERIAL		BRASS		-		-			