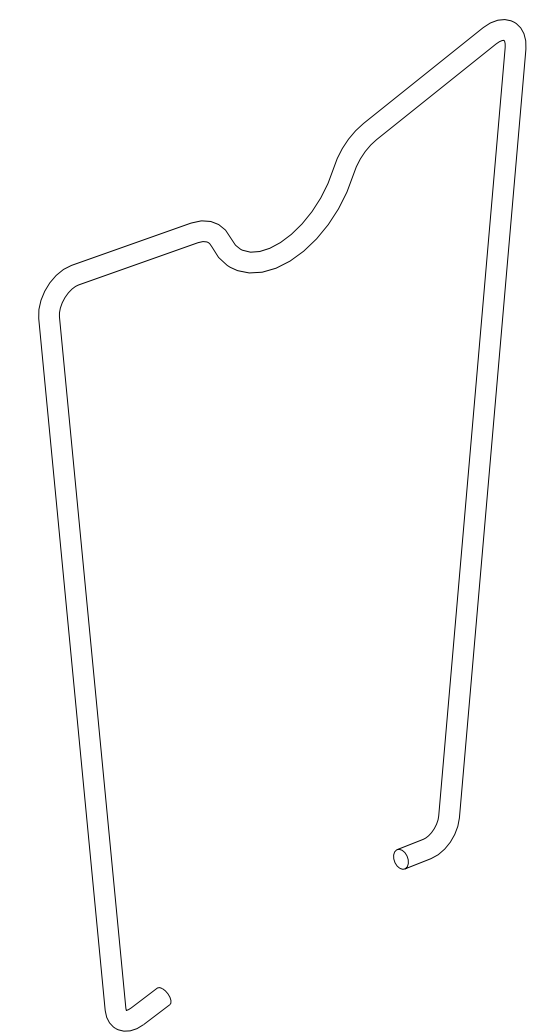
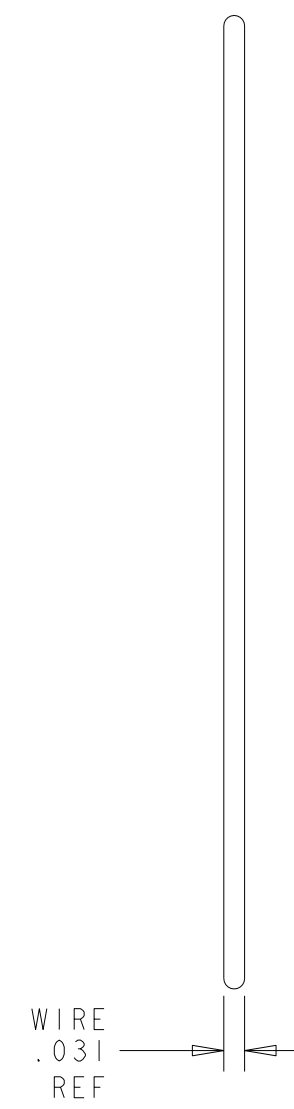
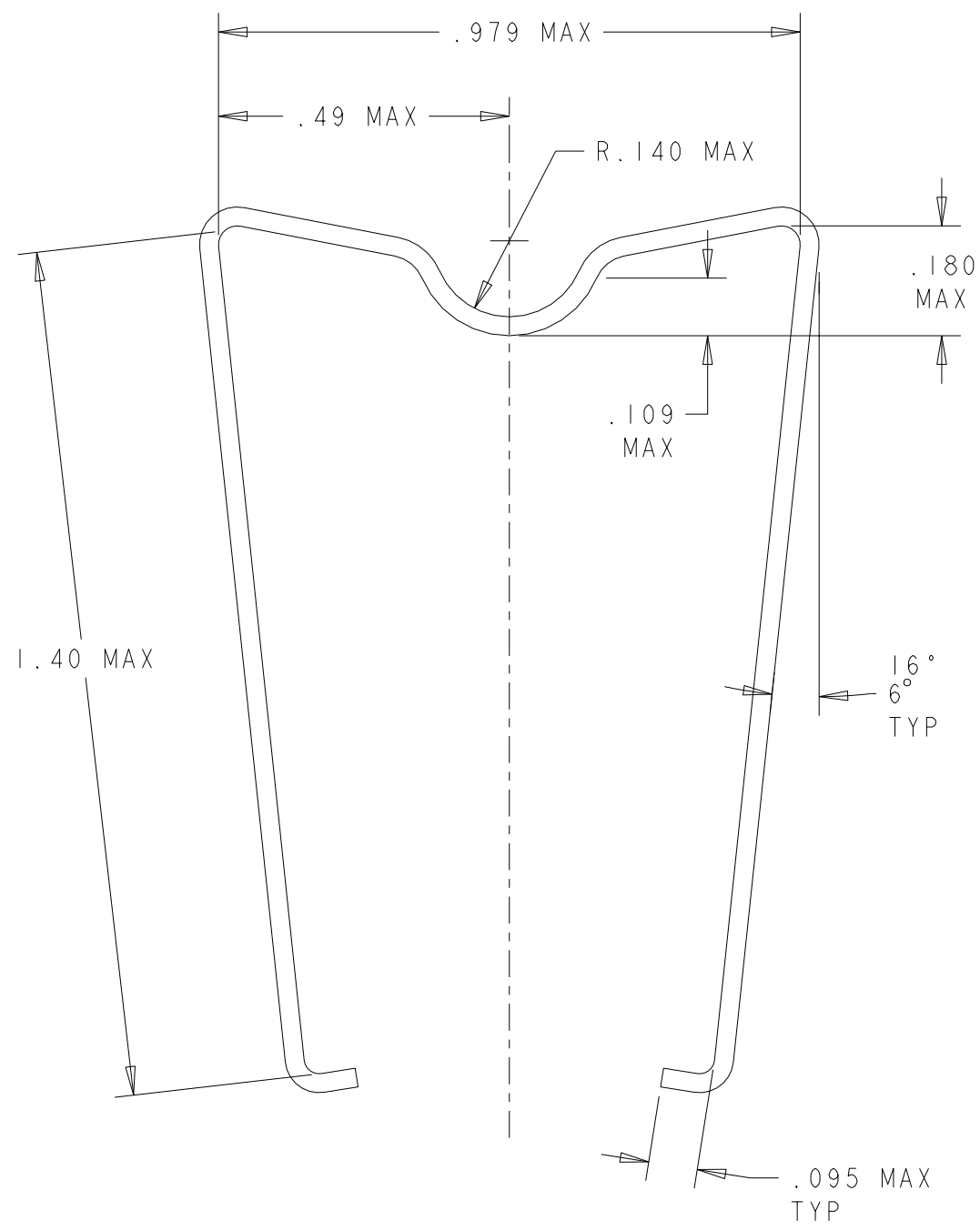


THIS DRAWING IS UNPUBLISHED. RELEASED FOR PUBLICATION 20
 © COPYRIGHT 20 BY TYCO ELECTRONICS CORPORATION. ALL RIGHTS RESERVED.

LOC	DIST	REVISIONS			
P	LTR	DESCRIPTION	DATE	DWN	APVD
GZ	00				
		A EC: 0710-0178-04	02APR2004	KZ	WS



TYCO PART NO: 3-1393159-5

<small>THIS DRAWING IS A CONTROLLED DOCUMENT FOR TYCO ELECTRONICS CORPORATION IT IS SUBJECT TO CHANGE AND THE CONTROLLING ENGINEERING ORGANIZATION SHOULD BE CONTACTED FOR THE LATEST REVISION.</small>		DWN 02APR2004 K. ZARBOCK		Potter & Brumfield Tyco Electronics Harrisburg, PA 17105-3608	
DIMENSIONS: INCHES		TOLERANCES UNLESS OTHERWISE SPECIFIED:		NAME WIRE RETAINER, (2 POLE)	
		0 PLC ±- 1 PLC ±0.1 2 PLC ±0.01 3 PLC ±0.003 4 PLC ±- ANGLES ±1°		PRODUCT SPEC -	
MATERIAL SS 302		FINISH -		APPLICATION SPEC -	
		WEIGHT -		SIZE A3 CAGE CODE 00779 DRAWING NO C-20C249 RESTRICTED TO -	
CUSTOMER DRAWING				SCALE 4:1 SHEET 1 OF 1 REV A	