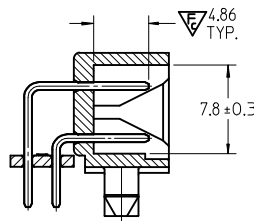
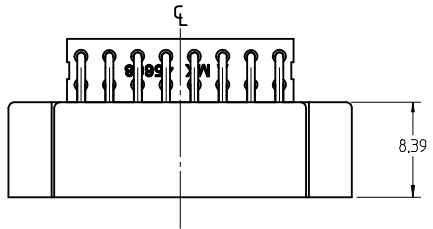
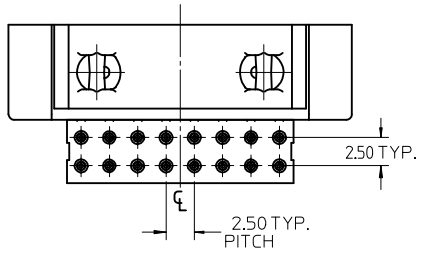
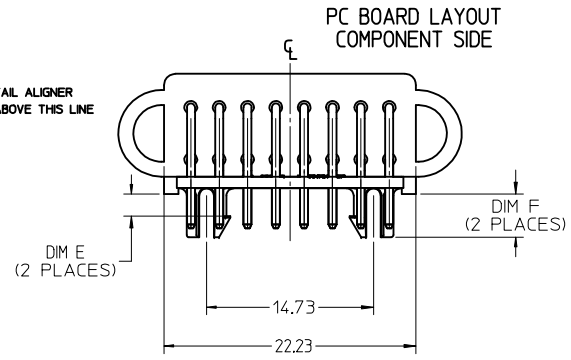
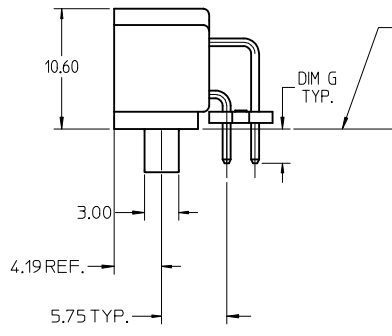
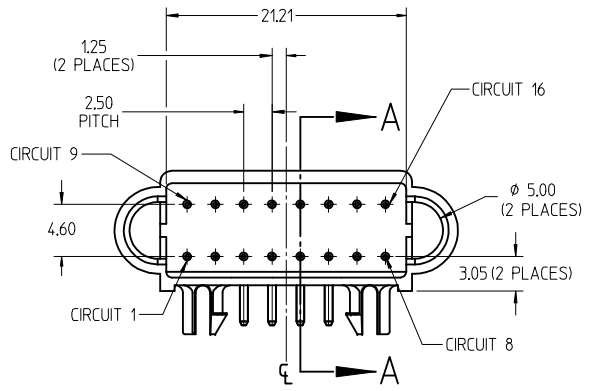
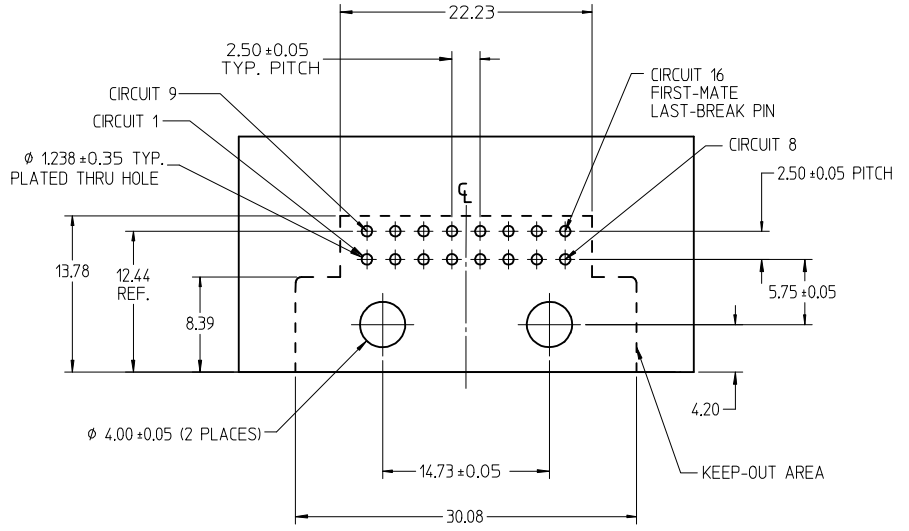


PART NUMBER	PCB THICKNESS	DIM E	DIM F	DIM G	STATUS
45608-0001	1.67	1.95	3.82	3.02	TOOLED
45608-0005	3.05	3.29	5.19	4.39	NOT TOOLED



SECTION A-A



- NOTES:
- HOUSING MATERIAL: HIGH-TEMP THERMOPLASTIC, 94V-0. (COLOR: BLACK)
TAIL ALIGNER: HIGH-TEMP THERMOPLASTIC (COLOR: OPTIONAL)
 - PIN MATERIAL: 0.70mm DIA. BRASS
 - PIN PLATING: 2.504μm TIN OVER 1.254μm NICKEL.
 - PRODUCT SPECIFICATION: PS-45579-001.
 - PACKAGING: TRAY.

ADDED 7/8 03 EC NO: UCP2013-1200 DRWN: DROSCA 2012/09/25 CHKD: APPR: JCOMERCI 2012/09/25	QUALITY SYMBOLS	GENERAL TOLERANCES (UNLESS SPECIFIED) <table border="1"> <thead> <tr> <th></th> <th>mm</th> <th>INCH</th> </tr> </thead> <tbody> <tr> <td>4 PLACES</td> <td>± ---</td> <td>± ---</td> </tr> <tr> <td>3 PLACES</td> <td>± ---</td> <td>± ---</td> </tr> <tr> <td>2 PLACES</td> <td>± 0.13</td> <td>± ---</td> </tr> <tr> <td>1 PLACE</td> <td>± 0.25</td> <td>± ---</td> </tr> </tbody> </table> ANGULAR ±1/2° DRAFT WHERE APPLICABLE MUST REMAIN WITHIN DIMENSIONS		mm	INCH	4 PLACES	± ---	± ---	3 PLACES	± ---	± ---	2 PLACES	± 0.13	± ---	1 PLACE	± 0.25	± ---	SCALE 3:1	DESIGN UNITS METRIC	THIRD ANGLE PROJECTION	REVISE ON CAD ONLY
			mm	INCH																	
	4 PLACES		± ---	± ---																	
	3 PLACES		± ---	± ---																	
2 PLACES	± 0.13	± ---																			
1 PLACE	± 0.25	± ---																			
		DIMENSION STYLE MM ONLY	TITLE	SPOX BMI RIGHT ANGLE DUAL ROW 8 POSITION HEADER ASSEMBLY																	
		APPROVED BY JCOMERCI	DRAWN BY TGREGORI	CHECKED BY MCARRANZ	MOLEX INCORPORATED																
					MATERIAL NO. SEE TABLE	DOCUMENT NO. SD-45608-001															