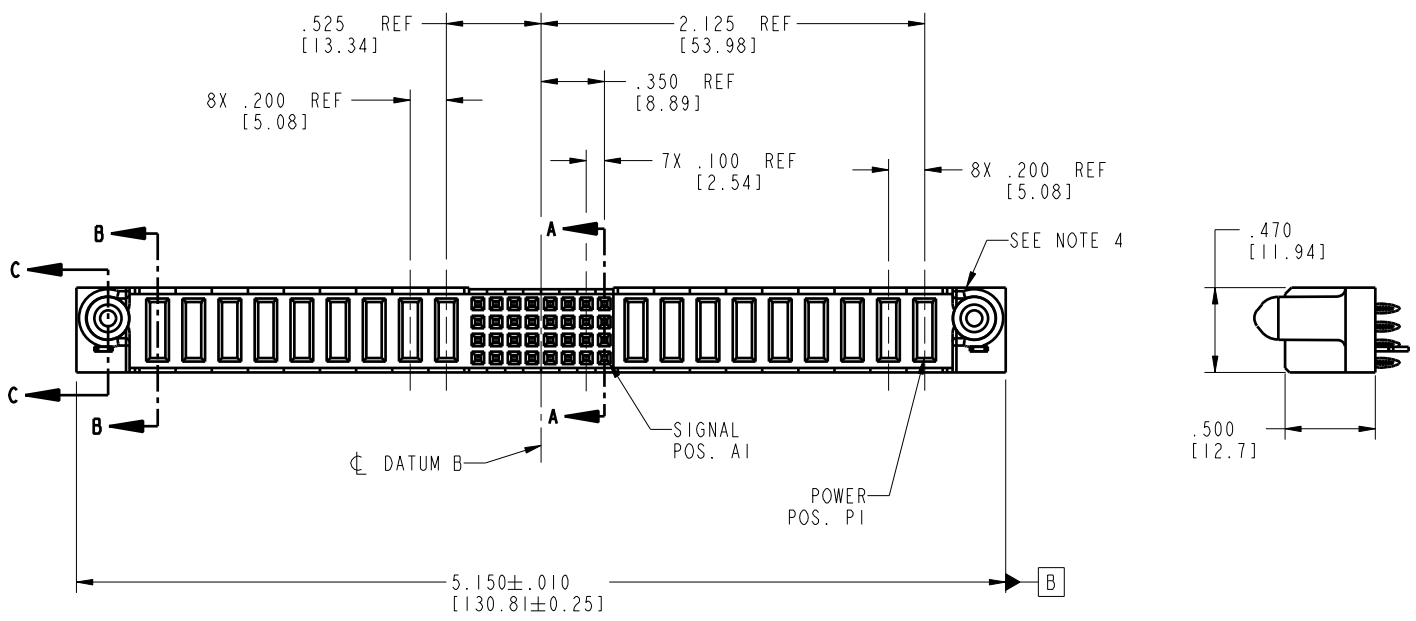


Tous droits strictement réservés. Reproduction ou communication o des liens interdite sous quelque forme que ce soit sans autorisation écrite du propriétaire. Propriété de c FCI. Droits de reproduction FCI.

All rights strictly reserved. Reproduction or issue to third parties in any form whatsoever is not permitted without written authority from the proprietor. Property of FCI. Copyright FCI.

PRODUCT NO.	ROWS	POWER										SIGNAL										POWER									
		E2	P18	P17	P16	P15	P14	P13	P12	P11	P10	8	7	6	5	4	3	2	1	P9	P8	P7	P6	P5	P4	P3	P2	P1	E1		
51940-180-- NOTE ③	0 A		PC	PC	PC	PC	PC	PC	PC	PC	PC	PC	PC	PC	PC	PC	PC	PC	PC	PC	PC	PC	PC	PC	PC	PC	PC				



CODE	DIM "M" MATING LENGTH	CONTACT TYPE
PC	.042 [1.07]	POWER
F	N/A [N/A]	SIGNAL
HA	N/A [N/A]	HOLD-DOWN

mat'l code SEE NOTE 2				tolerances unless otherwise specified		CUSTOMER		<b>FCI</b> www.fciconnect.com	
lir	ecn no.	dr	date	linear	.XX±.01/0.X±0.3	COPY		projection	
A	DG05-0527	RYAN	02/14/06	angles	.XXX±.005/0.XX±0.13	INCH/MM		title 9P + 32S + 9P	
				dr	.XXX±.002/0.XXX±0.051	scale 1:1		VERTICAL PRESSFIT RECEPT	
				engr	RYAN YUAN 12/06/05	product family PwrBlade		code 213	
				chr	SALLY LUO 12/06/05	size A		dwg no 51940-180	
				opod	BEER FU 12/06/05	sheet 1 of 4		sheet 1 of 4	
					JOSEPH HSIA 12/06/05				
sheet index	revision	A	A	A	A				
	sheet	1	2	3	4				

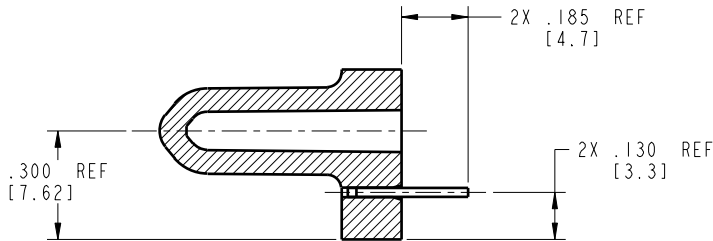
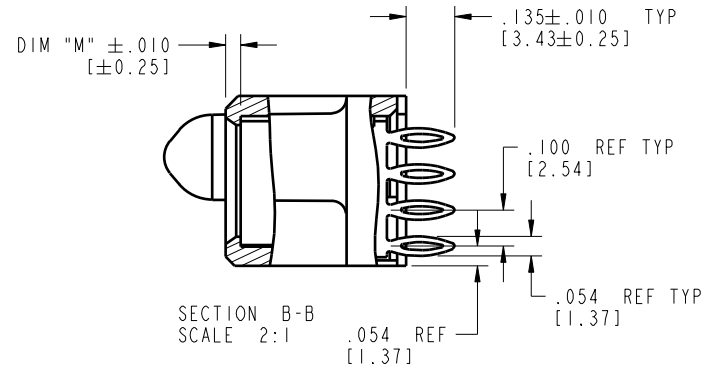
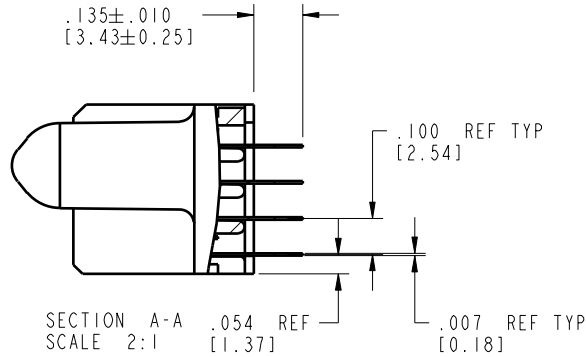
code code 22526

Tous droits strictement réservés. Reproduction ou communication à des tiers interdite sous quelque forme que ce soit sans autorisation écrite du propriétaire. Propriété de c FCI. Droits de reproduction FCI.

All rights strictly reserved. Reproduction or issue to third parties in any form whatsoever is not permitted without written authority from the proprietor. Property of FCI. Copyright FCI.

PRODUCT NUMBER

51940-180\_\_  
NOTE ③



mat'l code				SEE NOTE 2	tolerances unless otherwise specified		CUSTOMER		<b>A</b> <b>FCI</b>		www.fciconnect.com	
lir	ecn no.	dr	date	linear	.XX±.01/0.X±0.3	COPY		projection		title		9P + 32S + 9P
A					.XXX±.005/0.XX±0.13			⊕		VERTICAL PRESSFIT RECEPT		
				angles	.XXX±.002/0.XXX±0.051					product family		PwrBlade
				dr	0°±2°			INCH/MM		size		213
				engr				scale		dwg no		sheet
				chr	RYAN YUAN 12/06/05			1:1		A		2 of 4
				appd	SALLY LUO 12/06/05					51940-180		
					BEER FU 12/06/05							
					JOSEPH HSIA 12/06/05							
sheet index	revision sheet											

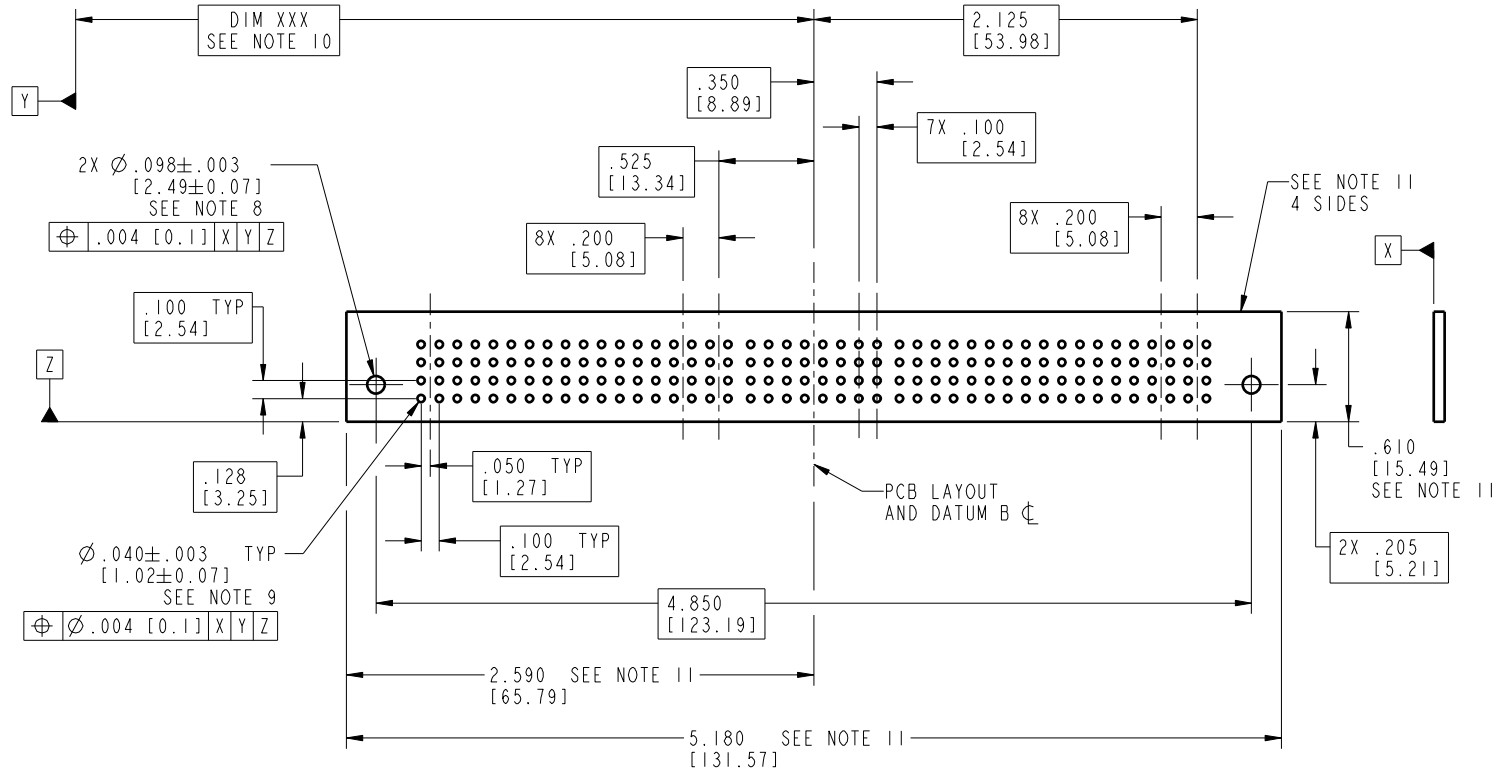
code code 22526

Pro/E

Tous droits strictement réservés. Reproduction ou communication à des tiers interdite sous quelque forme que ce soit sans autorisation écrite du propriétaire. Propriété de c FCI. Droits de reproduction FCI.

All rights strictly reserved. Reproduction or issue to third parties in any form whatsoever is not permitted without written authority from the proprietor. Property of FCI. Copyright FCI.

PRODUCT NUMBER  
51940-180--  
NOTE ③



mat'l code				SEE NOTE 2	tolerances unless otherwise specified		CUSTOMER		<b>FCI</b>	www.fciconnect.com
lir	ecn no.	dr	date	linear	.XX±.01/0.X±0.3	COPY		projection		
A				angles	.XXX±.005/0.XX±0.13	INCH/MM			9P + 32S + 9P	
				dr	.XXX±.002/0.XXX±0.051	scale			VERTICAL PRESSFIT RECEPT	
				eng		1:1		product family	PwrBlade	code
				chr	RYAN YUAN 12/06/05			size	213	
				appd	SALLY LUO 12/06/05			dwg no	51940-180	sheet
					BEER FU 12/06/05			A		3 of 4
					JOSEPH HSIA 12/06/05					
sheet index	revision	sheet								

code code 22526

Tous droits strictement réservés. Reproduction ou communication o des liers interdite sous quelque forme que ce soit sans autorisation écrite du propriétaire. Propriété de c FCI. Droits de reproduction FCI.

All rights strictly reserved. Reproduction or issue to third parties in any form whatsoever is not permitted without written authority from the proprietor. Property of FCI. Copyright FCI.

**PRODUCT NUMBER**

51940-180--  
NOTE ③

NOTES:

1. DIMENSIONS AND TOLERANCES ARE IN ACCORDANCE WITH ASME Y14.5M, 1994 UNLESS OTHERWISE SPECIFIED.

CONNECTOR NOTES:

② HOUSING MATERIAL: UL 94 V-0 GLASS FILLED HIGH-TEMP THERMOPLASTIC  
POWER CONTACT MATERIAL: COPPER ALLOY  
SIGNAL PIN MATERIAL: COPPER ALLOY

3. PLATING:  
SEE PRINT 10064183 FOR PLATING SPEC OF 51940-180; 51940-180LF

④ MANUFACTURER'S NAME, P/N, AND DATE CODE TO APPEAR ON THIS SURFACE.

5. PRODUCT SPECIFICATION GS-12-149.  
APPLICATION SPECIFICATION BUS-20-067.

6. PACKAGED IN TRAYS.

PCB NOTES:

7. ALL HOLE DIAMETERS ARE FINISHED HOLE SIZE.

⑧ MOUNTING HOLES, WHERE APPLICABLE, ARE UNPLATED.

⑨  $\varnothing .0453 \pm .0010$  [ $1.151 \pm 0.025$ ] DRILLED HOLES PLATED WITH  
.0003 [0.008] MIN SnPb OVER .001 [0.03]  
TO .003 [0.08] Cu PLATING TO ACHIEVE  
 $\varnothing .040 \pm .003$  [ $1.02 \pm .07$ ] HOLE.

⑩ "DIM XXX" TO BE DETERMINED BY THE CUSTOMER.

⑪ CONNECTOR KEEP-OUT ZONE.

12. FOR PRESS FIT APPLICATION,  
USE FCI CAM TOOL 430169-065

mat'l code				SEE NOTE 2		tolerances unless otherwise specified		CUSTOMER		A FCI		www.fciconnect.com	
lir	ecn no.	dr	date	linear	.XX±.01/0.X±0.3	projection		COPY		title		9P + 32S + 9P	
A					.XXX±.005/0.XX±0.13	INCH/MM		product family		PwrBlade		code	
				angles	.XXX±.002/0.XXX±0.051	scale		size		dwg no		213	
				dr	0°±2°	1:1		A		51940-180		sheet	
				engr	RYAN YUAN 12/06/05							4 of 4	
				chr	SALLY LUO 12/06/05								
				opod	BEER FU 12/06/05								
					JOSEPH HSIA 12/06/05								
sheet index	revision sheet												

code code 22526

Pro/E