

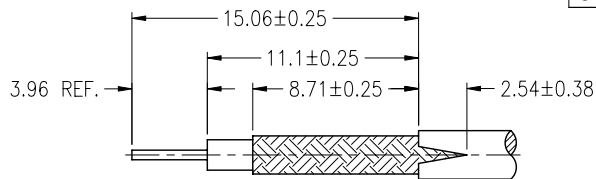
NOTES:

- MATERIALS AND FINISHES(PLATING THICKNESS IN MICRO-INCHES):  
 BODY - BRASS, NICKEL PLATING  
 CONTACT - BRASS, GOLD PLATING  
 INSULATOR - PTFE, NATURAL
- ELECTRICAL:  
 A. IMPEDANCE: 50 OHM  
 B. FREQUENCY RANGE: DC 0-4 GHz  
 C. DIELECTRIC WITHSTANDING VOLTAGE: 1500 VRMS, MIN.
- MECHANICAL:  
 A. DURABILITY: 500 CYCLES MIN.  
 B. TEMPERATURE RANGE: - 65°C to +165°C
- SOLDER CONTACT TO CABLE  
 WHEN CRIMPING CONTACT PIN TO CABLE, CRIMP WITH AMPHENOL TOOL 227-944 (M22520/5-01) AND DIE SET 227-1221-09, CAVITY 'B' (M22520/5-09, CLOSURE 'B')
- WHEN CRIMPING FERRULE TO CABLE, CRIMP WITH AMPHENOL TOOL 227-944 (M22520/5-01) AND DIE SET 227-1221-09, CAVITY 'A' (M22520/5-09, CLOSURE 'A')
- USE WITH BELDEN 9221 AND RG-179/U & 187/U CABLES.

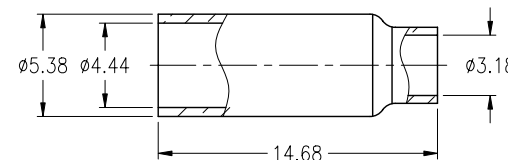
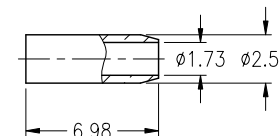
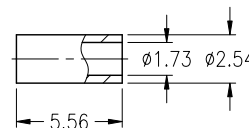
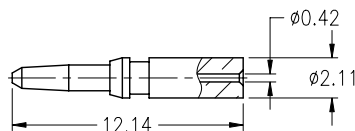
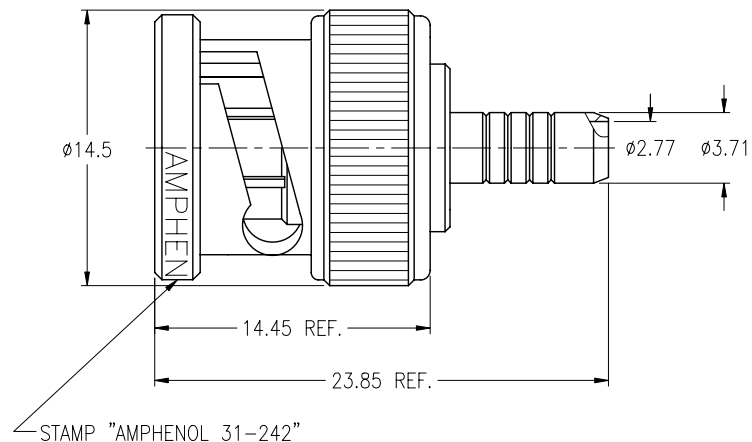
THIRD ANGLE PROJ.

REVISIONS

REV	DESCRIPTION	DATE	ECO	APPR
A2	STAMP WAS CHANGED\N/A	16-Dec-02	--	TONY
A3	APPEARANCE WAS CHANGED	15-Apr-03	--	TONY
A4	SEE SHEET 1	30-Jun-05	--	SH
B	SEE SHEET 1	06-Mar-08	--	AW
R	SEE SHEET 1	17-Mar-10	47921	SH
S	NOTE 4 WAS CHANGED\RD-DM11011001T1	12-Jan-11	48420	SH



RECOMMENDED  
CABLE STRIPPING DIM'S



THIS CONNECTOR IS COVERED BY U.S. PATENT 3439294

**CUSTOMER OUTLINE DRAWING**  
ALL OTHER SHEETS ARE FOR INTERNAL USE ONLY

UNLESS OTHERWISE SPECIFIED, DIMENSIONS ARE IN METRIC AND TOLERANCES ARE:  
 < 0.5mm ±0.05mm    0.5 - 6mm ±0.1mm    6 - 30mm ±0.2mm    30 - 120mm ± 0.3mm    ANGLES ±1°

NOTICE - These drawings, specifications, or other data (1) are, and remain the property of Amphenol Corp. (2) must be returned upon request; and (3) are confidential and not to be disclosed to any person other than those to whom they are given by Amphenol Corp. The furnishing of these drawings, specifications, or other data by Amphenol Corp., or to any other person to anyone for any purpose is not to be regarded by implication or otherwise in any manner licensing, granting rights or permitting such holder or any other person to manufacture, use or sell any product, process or design, patented or otherwise, that may in any way be related to or disclosed by said drawings, specifications, or other data.

MATERIAL	DRAWN	DATE	TITLE			Amphenol RF Danbury CT USA, Tainan Taiwan, Shenzhen China www.amphenolrf.com			
	T.DENG	12-Jan-11							
	ENGINEER	DATE	BNC PLUG MINIATURE COAX CABLE			DRAWING NO. 31-242			
	S.LI	12-Jan-11							
REFERENCE	APPROVED	DATE	SCALE: 2.5/1	SHEET	2 OF 2	ITEM NO. 31-242			
	S.HSIEH	12-Jan-11	DWG SIZE	CODE ID	REV				
FINISH	CAD FILE	F:\DWG\CNPD\31\242-SSZ			B	74868	S	PART NO. 31-242	