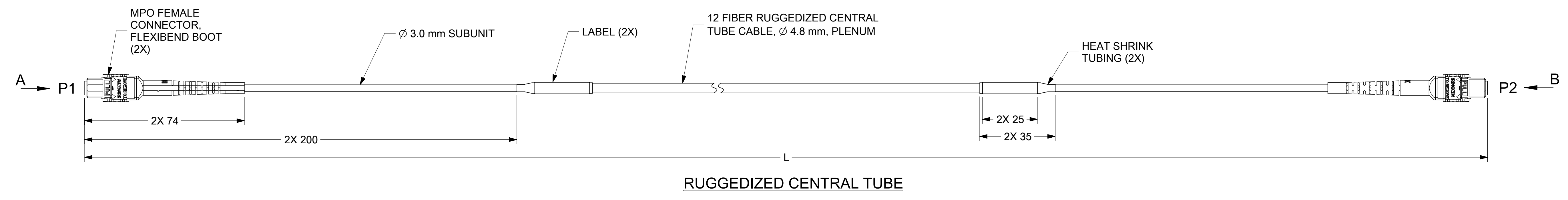
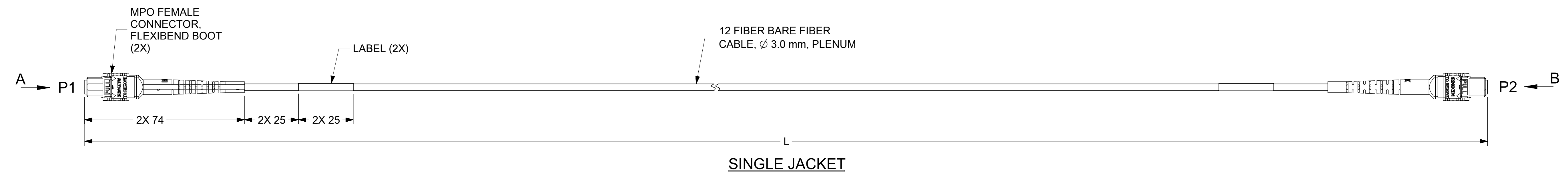
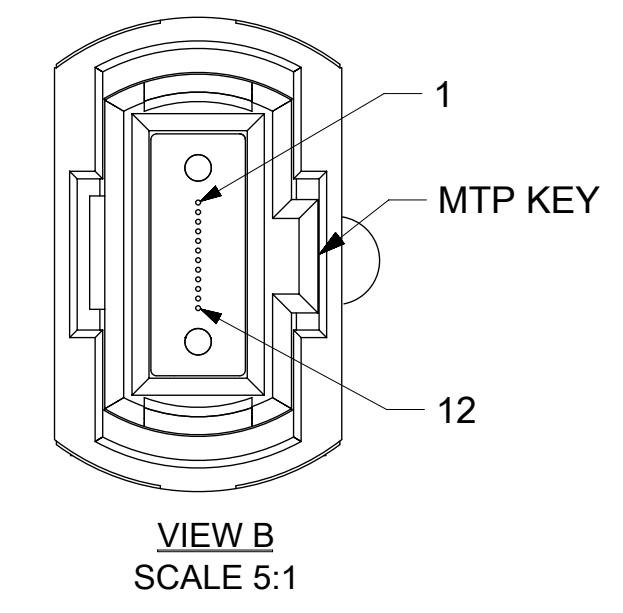
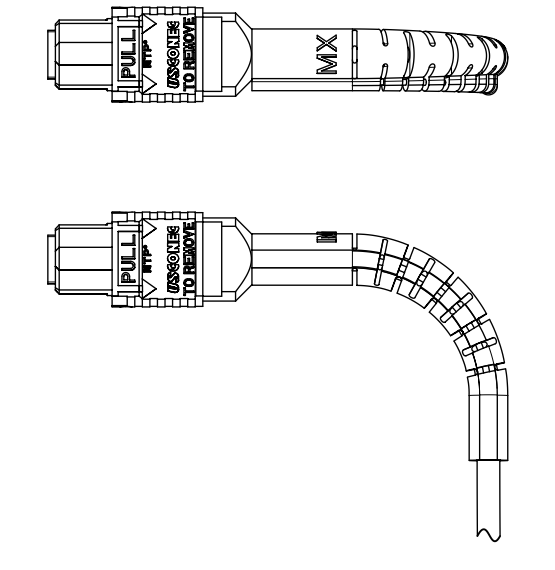
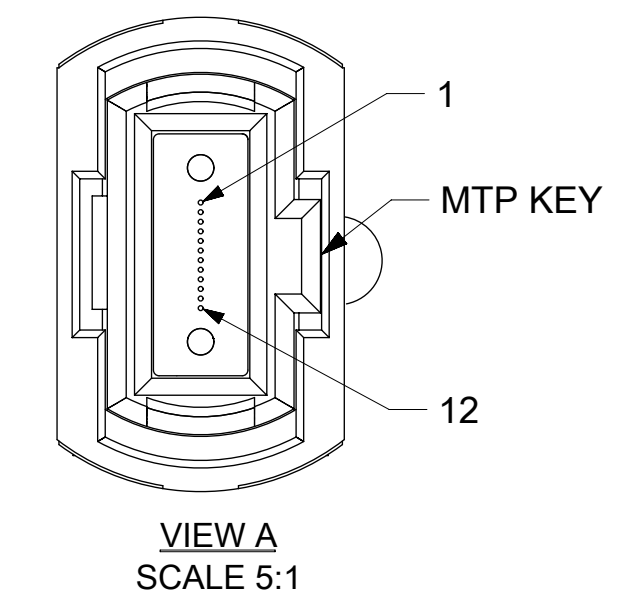


TRUNK CABLE P/N	OVERALL LENGTH, L (m)	CABLE TYPE	FIBER TYPE	CONNECTOR/CABLE COLOR	INSERTION LOSS	RETURN LOSS
1062250073	1.0 +0.2 / -0	SINGLE JACKET	MM 50/125 μm OM3 BIF	AQUA / AQUA	0.35 dB @ 850 nm	---
1062250074	3.0 +0.2 / -0					
1062250075	5.0 +0.2 / -0					
1062250025	10.0 +0.2 / -0					
1062250076	15.0 +0.3 / -0					
1062250026	25.0 +0.5 / -0	RUGGEDIZED CENTRAL TUBE	MM 50/125 μm OM3 BIF	AQUA / AQUA	0.35 dB @ 850 nm	---
1062250027	50.0 +1.0 / -0					
1062250028	100.0 +2.0 / -0					
1062250077	1.0 +0.2 / -0	SINGLE JACKET	MM 50/125 μm OM4 BIF	AQUA / AQUA	0.35 dB @ 850 nm	---
1062250078	3.0 +0.2 / -0					
1062250079	5.0 +0.2 / -0					
1062250029	10.0 +0.2 / -0					
1062250080	15.0 +0.3 / -0					
1062250030	25.0 +0.5 / -0	RUGGEDIZED CENTRAL TUBE	MM 50/125 μm OM4 BIF	AQUA / AQUA	0.35 dB @ 850 nm	---
1062250031	50.0 +1.0 / -0					
1062250032	100.0 +2.0 / -0					
1062250081	1.0 +0.2 / -0	SINGLE JACKET	SM 9/125 μm OS2 ITU-T G.657.A1 BIF	YELLOW / YELLOW	0.35 dB @ 1550 nm	- 50 dB @ 1550 nm
1062250082	3.0 +0.2 / -0					
1062250083	5.0 +0.2 / -0					
1062250033	10.0 +0.2 / -0					
1062250084	15.0 +0.3 / -0					
1062250034	25.0 +0.5 / -0	RUGGEDIZED CENTRAL TUBE	SM 9/125 μm OS2 ITU-T G.657.A1 BIF	YELLOW / YELLOW	0.35 dB @ 1550 nm	- 50 dB @ 1550 nm
1062250035	50.0 +1.0 / -0					
1062250036	100.0 +2.0 / -0					

CONNECTIONS	
FROM	TO
P1-1 THRU P1-12	P2-1 THRU P2-12



- NOTES:
1. ENDCAPS ARE NOT SHOWN BUT INCLUDED.
  2. LABEL IS PRINTED WITH MOLEX P/N AND SERIAL NUMBER.
  3. FOR DETAILED PRODUCT SPECIFICATION SEE DOCUMENT 1062250000 ES.
  4. CABLE CONSTRUCTION:
    - L < 25 meters - SINGLE JACKET CABLE
    - L ≥ 25 meters - RUGGEDIZED CENTRAL TUBE CABLE
  5. INSERTION LOSS TEST DATA IS PROVIDED WITH EACH SHIPMENT.
  6. PACKAGING:
    - L < 50 meters - INDIVIDUALLY COILED AND BAGGED
    - L ≥ 50 meters - SHIPPED ON SPOOLS



QUALITY SYMBOLS	THIS DRAWING CONTAINS INFORMATION THAT IS PROPRIETARY TO MOLEX ELECTRONIC TECHNOLOGIES, LLC AND SHOULD NOT BE USED WITHOUT WRITTEN PERMISSION		GENERAL TOLERANCES (UNLESS SPECIFIED)		DIMENSION UNITS	SCALE	molex®		
▽ = 0	2017/10/30	2017/11/08	mm	1:1	mm	1:1	MPO(F) TO MPO(F) TRUNK CABLE, FLEXIBEND BOOT, 12 FIBER, PLENUM		
▽ = 0	IGUMIN	IGUMIN	IGUMIN	2017/03/13	IGUMIN	2017/03/13			
▽ = 0	EC NO: 167430	DRWN: IGUMIN	4 PLACES ±	DATE	CHKD BY	DATE	PRODUCT CUSTOMER DRAWING		
▽ = 0	CHKD: IGUMIN	REV: APPR: IGUMIN	3 PLACES ±	DATE	CHKD BY	DATE			
▽ = 0	DRWN: IGUMIN	REV: APPR: IGUMIN	2 PLACES ±	DATE	APPR BY	DATE	SERIES	MATERIAL NUMBER	CUSTOMER
▽ = 0	DRWN: IGUMIN	REV: APPR: IGUMIN	1 PLACE ±	DATE	IGUMIN	2017/03/21	106225	SEE TABLE	
▽ = 0	DRWN: IGUMIN	REV: APPR: IGUMIN	0 PLACES ±	DATE	DRAFT WHERE APPLICABLE MUST REMAIN WITHIN DIMENSIONS	D	THIRD ANGLE PROJECTION	DOCUMENT NUMBER	DOC TYPE
▽ = 0	DRWN: IGUMIN	REV: APPR: IGUMIN	0 PLACES ±	DATE				1062250025	PSD
▽ = 0	DRWN: IGUMIN	REV: APPR: IGUMIN	0 PLACES ±	DATE				000	DOC PART
▽ = 0	DRWN: IGUMIN	REV: APPR: IGUMIN	0 PLACES ±	DATE					000
▽ = 0	DRWN: IGUMIN	REV: APPR: IGUMIN	0 PLACES ±	DATE					1 OF 1