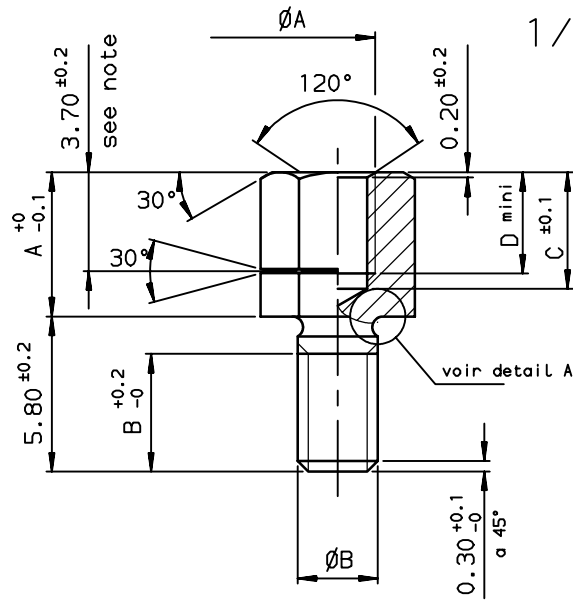
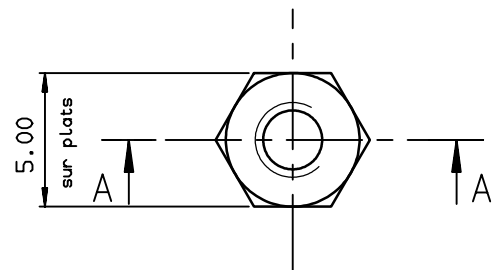
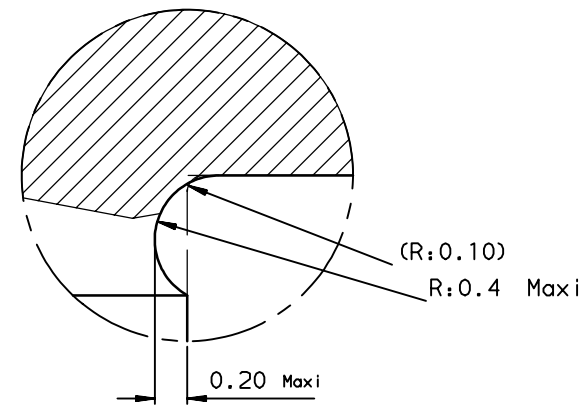


1/2 COUPE AA



Detail A (ech:30)



NOTES:

- Depth groove: 0.3mm use with 8655-1321 only which defined M3 thread inner.
- Packaging: per 1000
- Material: stainless steel
- 1 :Dimension controle with screw
- 2 :Dimension controle with caliber

| | | | | | | | | |
|-------------|--------------------|-----|-----|-----|---------------|---------------|------------|----------|
| 86551321LF | Female screw locks | 5.4 | 4.2 | 5.0 | 3.9 Note 2 | 4.2 Note 1 | M3 | M3 |
| 86551315LF | Female screw locks | 5.4 | 4.2 | 5.0 | 3.7 Note 2 | 4.1 Note 1 | 4.40UNC-2B | M3 |
| 86551316LF | Female screw locks | 6.4 | 4.8 | 5.8 | 4.3 | | 4.40UNC-2B | M3 |
| Part number | Designations | A | B | C | D | | ϕA | ϕB |

NOTE:RoHS INFORMATIONS

- These products meet European union Directives and other country regulations as described in G5-22-008. (RoHS Compliant products)
- Packaging spec: see G5-14-920

| rev | ecn no | dr | date |
|-----|-----------|-----|------------|
| A | LS06-0019 | LGO | 2006/03/06 |
| B | LS06-0097 | LGO | 2006/07/28 |
| - | - | - | - |
| - | - | - | - |
| - | - | - | - |
| - | - | - | - |

| | | | | | |
|---------------------------------------|----------|---|-----------------------------------|----------------------|---------------|
| www.fciconnect.com | | surface ISO 1302 <input checked="" type="checkbox"/> | tolerance std ISO 406 ISO 1101 | projection | mm |
| TOLERANCES UNLESS OTHERWISE SPECIFIED | | | | | |
| Dr | GOISNARD | 2006/03/06 | ANGULAR | 0.X ±0.1 | size A3 |
| Eng | PESSON | 2006/03/06 | LINEAR | 0.XX ±0.1 | Scale 5 |
| Chr | LEGARE | 2006/03/06 | 0.XX' ±2' | 0.XXX ±0.1 | ECN LS06-0097 |
| Appr | LEGARE | 2006/03/06 | Product family | D-SUB | Spec ref - |
| | | title FEMALE SCREW LOCKS | | dwg no C01-8655-1604 | Rev. B |
| catalog no | | - | | CUSTOMER | sheet 1 of 1 |

European Views

Copyright FCI.