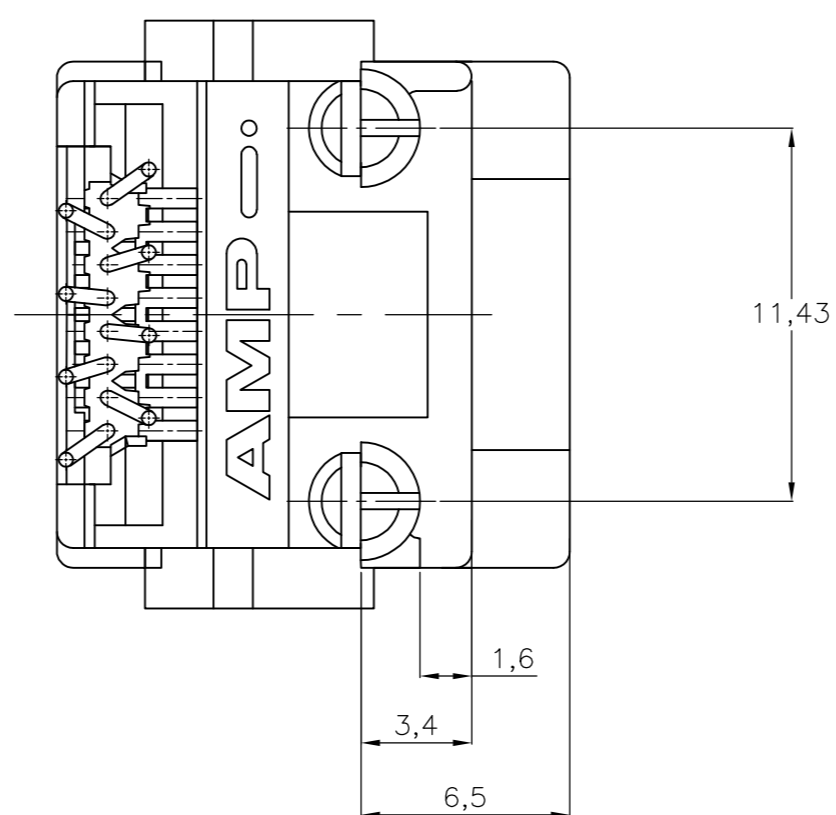
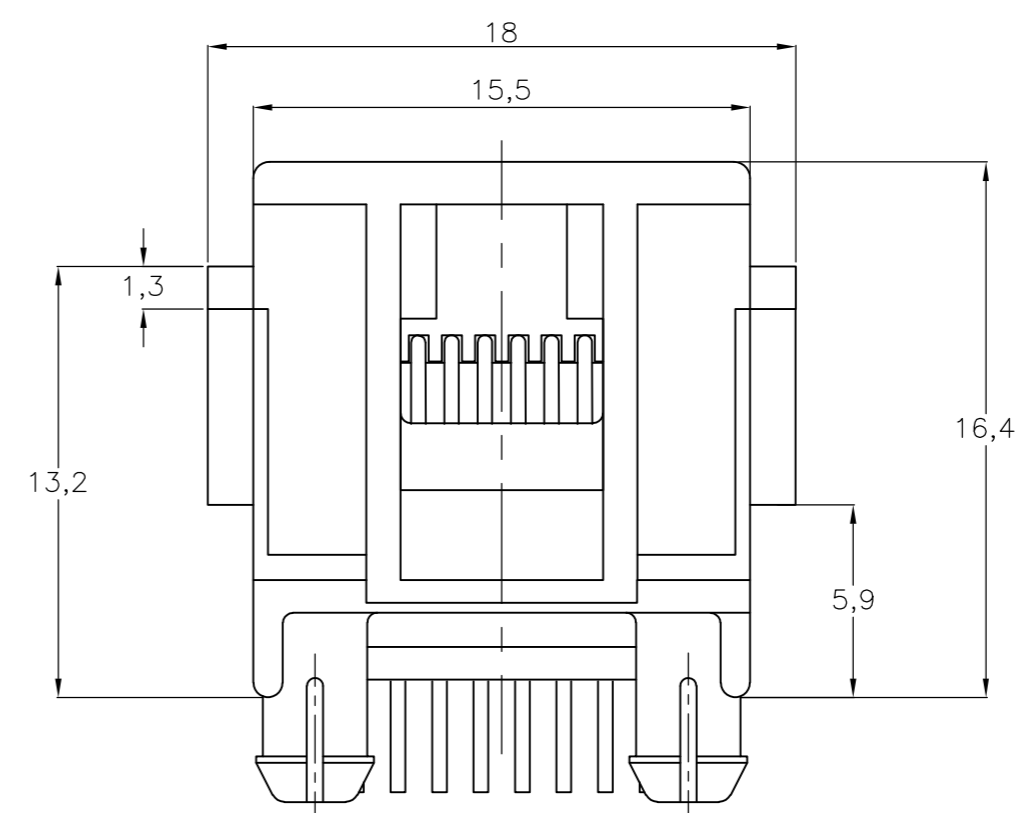
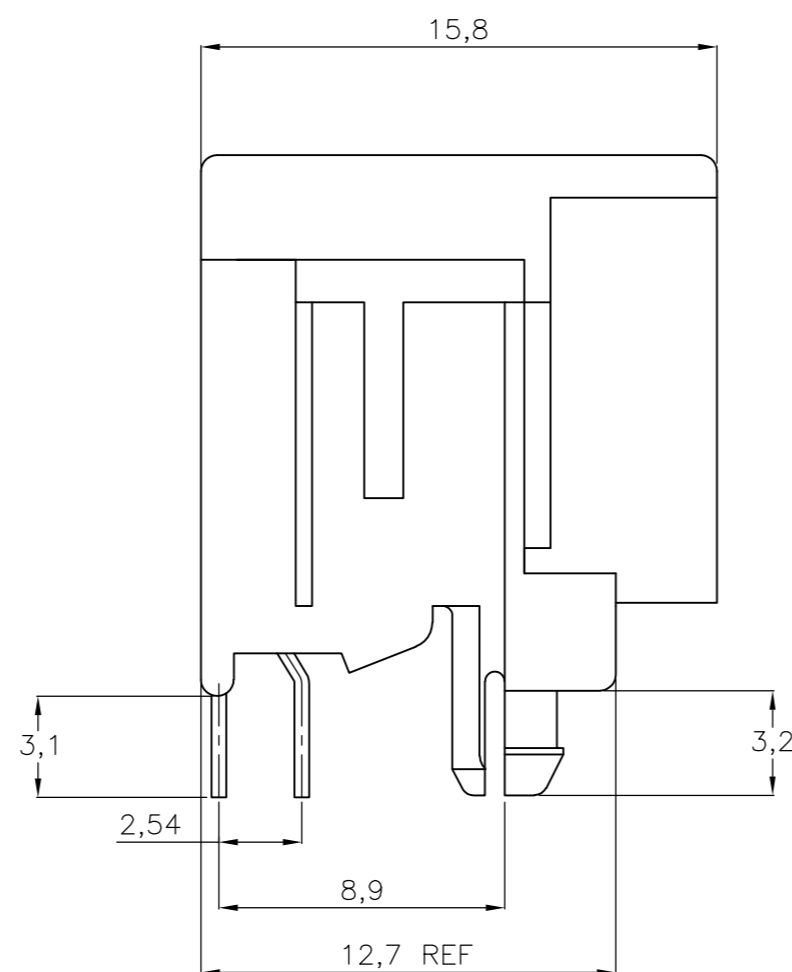
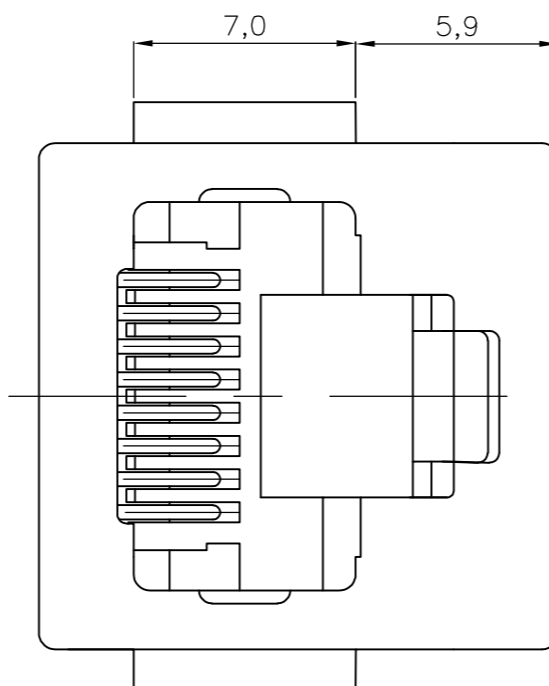
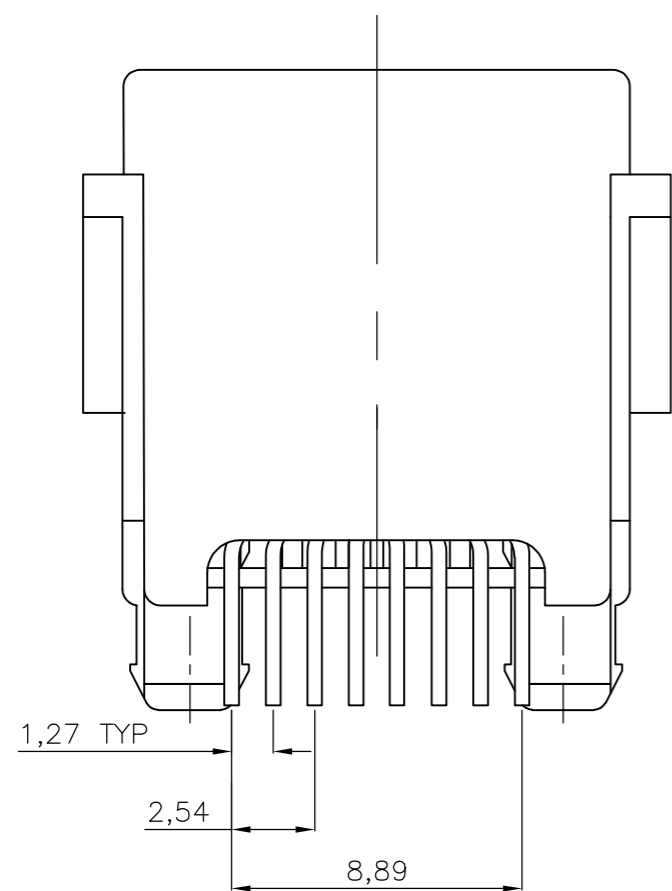


THIS DRAWING IS UNPUBLISHED. RELEASED FOR PUBLICATION
 © COPYRIGHT - By - ALL RIGHTS RESERVED.

LOC	DIST	REVISIONS					
IR	-	P	LTR	DESCRIPTION	DATE	DWN	APVD
		N2		ECR-11-025628	20DEC2011	PS	-

NOTES:

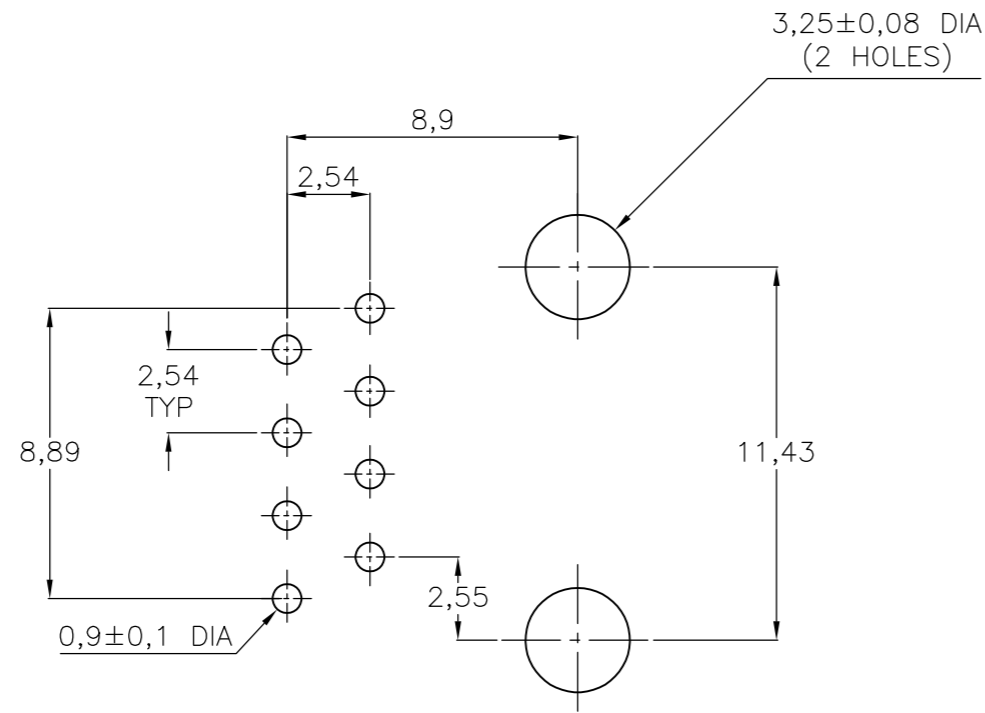
1. TOLERANCES UNLESS OTHERWISE SPECIFIED:±0,15
2. FOR APPLICATION INFORMATION SEE TE SPEC. 114-19019.
3. FOR PERFORMANCE REQUIREMENTS SEE TE SPEC. 108-19064



THIS DRAWING IS A CONTROLLED DOCUMENT.		DWN	19JUN90		TE TE Connectivity																	
DIMENSIONS: mm		CHK	P.BEIJNON			MODULAR JACK 8 POS. TOP ENTRY WITH PANEL STOPS PRINTED CIRCUIT BOARD																
TOLERANCES UNLESS OTHERWISE SPECIFIED:		APVD	C.A.STERKEN																			
<table border="0"> <tr><td>0 PLC</td><td>±</td><td>-</td></tr> <tr><td>1 PLC</td><td>±</td><td>-</td></tr> <tr><td>2 PLC</td><td>±</td><td>-</td></tr> <tr><td>3 PLC</td><td>±</td><td>-</td></tr> <tr><td>4 PLC</td><td>±</td><td>-</td></tr> <tr><td>ANGLES</td><td>±</td><td>-</td></tr> </table>		0 PLC	±	-		1 PLC	±	-	2 PLC	±	-	3 PLC	±	-	4 PLC	±	-	ANGLES	±	-	PRODUCT SPEC	L.V.SOEST
0 PLC	±	-																				
1 PLC	±	-																				
2 PLC	±	-																				
3 PLC	±	-																				
4 PLC	±	-																				
ANGLES	±	-																				
MATERIAL: SEE SHEET 2		FINISH	SEE SHEET 2		RESTRICTED TO: -																	
WEIGHT: -		SCALE: NTS		SIZE: A2	CAGE CODE: 00779																	
CUSTOMER DRAWING		DRAWING NO: C-216566		DRAWING NO: 216566																		
		SHEET: 1 OF 2		REV: N2																		

THIS DRAWING IS UNPUBLISHED. RELEASED FOR PUBLICATION
 © COPYRIGHT - By - ALL RIGHTS RESERVED.

LOC	DIST	REVISIONS					
		P	LTR	DESCRIPTION	DATE	DWN	APVD
IR	-	-	-	SEE SHEET 1	-	-	-



PRINTED CIRCUIT BOARD LAYOUT
 [VIEW SHOWN IS CIRCUIT (NONCOMPONENT) SIDE OF BOARD.]
 TOLERANCES UNLESS OTHERWISE SPECIFIED: ±0,05
 PRINTED CIRCUIT BOARD THICKNESS: 1,6 mm NOMINAL.

PACKAGING	REMARKS	FINISH	MATERIAL	PARTNUMBER
OBSOLETE	180pcs. IN A TRAY 6 TRAYS IN A BOX	IN CONTACT AREA: 1,2µm MIN.SEL.GOLD OVER 1,2µm MIN.NICKEL	HOUSING: PBT,UL 94-HB COLOR: BLACK CONTACTS: PHOSPHOR BRONZE	216566-4
	600pcs. ON A 60cm. DIA. REEL.	SOLDER TINES: 2,0µm MIN. TIN OVER 1,2µm MIN. NICKEL	HOUSING: PBT,UL 94V-0 COLOR: BLACK CONTACTS: PHOSPHOR BRONZE	216566-2
	8 POSITIONS/ 8 CONTACTS.		HOUSING: PBT,UL 94-HB COLOR: BLACK CONTACTS: PHOSPHOR BRONZE	216566-1

THIS DRAWING IS A CONTROLLED DOCUMENT.		DWN P.BEIJNON 19JUN90	 TE Connectivity
DIMENSIONS: mm		CHK C.A.STERKEN	
		APVD L.V.SOEST	
TOLERANCES UNLESS OTHERWISE SPECIFIED:		PRODUCT SPEC	
MATERIAL SEE TABLE		FINISH SEE TABLE	NAME MODULAR JACK 8 POS. TOP ENTRY WITH PANEL STOPS PRINTED CIRCUIT BOARD
WEIGHT -		SCALE A2	CAGE CODE 00779
CUSTOMER DRAWING		SCALE NTS	DRAWING NO C=216566
		SHEET 2 of 2	RESTRICTED TO -
		REV N2	