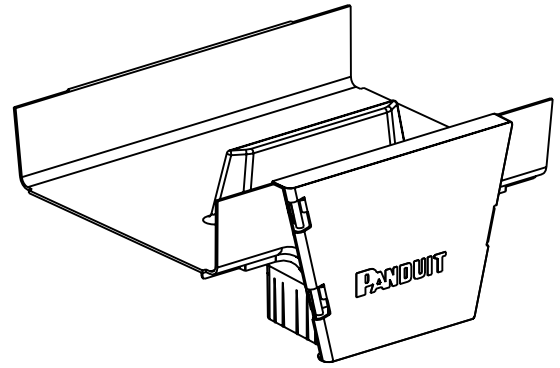
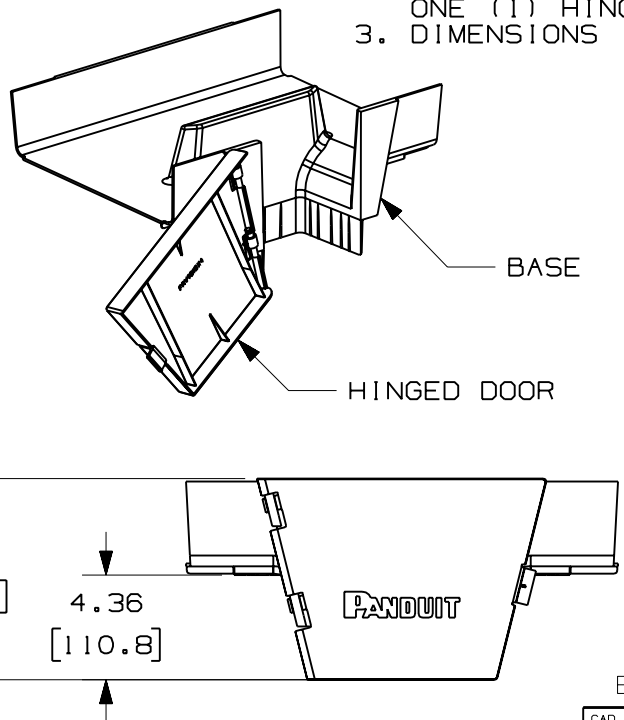


PANDUIT PART NUMBER	WEIGHT
FRVT12X4	3.10 LB/EACH (1406g/EACH)



NOTES:

- SEE CURRENT CATALOG FOR ADDITIONAL PART SUFFIXES TO INDICATE COLOR AND/OR PACKAGE QUANTITY.
- THE FIBERRUNNER 12x4 VERTICAL TEE FITTING INCLUDES: ONE (1) VERTICAL TEE BASE, ONE (1) HINGED DOOR
- DIMENSIONS IN PARENTHESES ARE IN METRIC.



ENG. REF.: D37617DM_DC_FRVT12X4_02.prt

CAD FILENAME/LAYERS: FRVT12X4.pdf

REV	DATE	BY	CHK	DESCRIPTION	ECN	R	CUST	SUP	GMBH
-	-----	---	--	G. REVISED GENERAL NOTES	-----	--	---		
3	7-24-06	DTP	RN	F. REVISED PART WEIGHT E. REVISED AND REDRAWN	37617-64	RN	RN		

PANDUIT CORP TINLEY PARK, ILLINOIS
FIBERRUNNER 12x4 VERTICAL TEE FITTING (FRVT12X4)
 CUSTOMER DRAWING

UNLESS OTHERWISE SPECIFIED, DIMENSIONAL TOLERANCES ARE:
 (.X) ± (.XXX) ±
 (.XX) ± .03 (.8) ANGLES ±

UNLESS OTHERWISE SPECIFIED, ALL DIMENSIONS ARE GIVEN IN INCHES, THIRD ANGLE PROJECTION.

DRAWN BY: JHNU	MAT'L: ABS	SCALE: NONE
DATE: 12-28-00		DRAWING NO.: 37617-64
CHK'D: DJWA		DWG SIZE: A