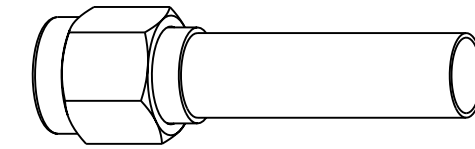


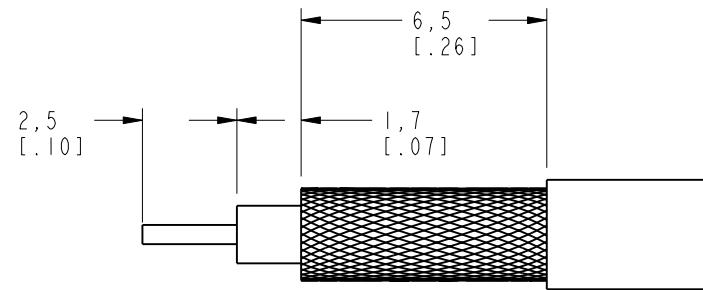
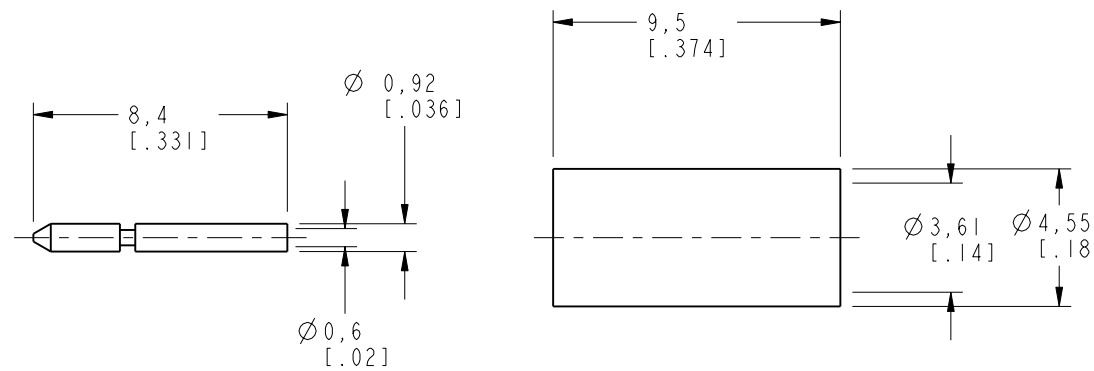
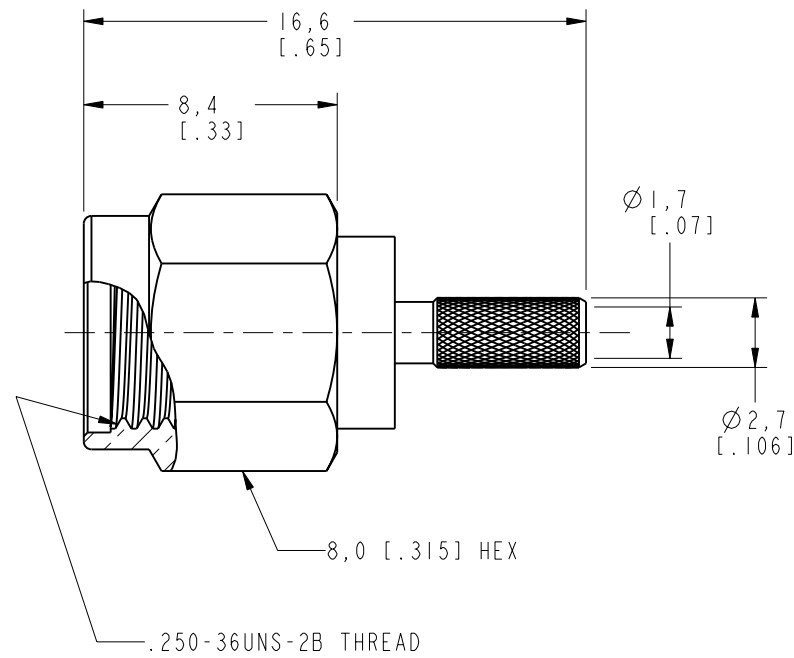
NOTES:

- MATERIALS OF CONSTRUCTION:  
 BODY & SHELL = BRASS, NICKEL PLATED (.000100 THICK)  
 CONTACT PIN = BRASS, GOLD PLATED (.000050 THICK)  
 RETAINING RING = BeCu  
 FERRULE = COPPER, NICKEL PLATED (.000100 MAX THICK)  
 INSULATOR = PTFE  
 GASKET = SILICONE RUBBER, COLOR RED  
 HEAT SHRINK TUBING =
- CRIMPED FERRULE: HEX CRIMP SIZE .151  
 CONTACT PIN TO SOLDER.

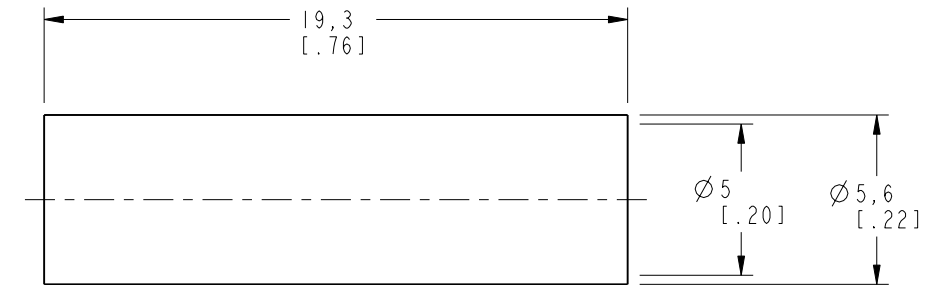
901-10024-RFX		REVISIONS			
DRAWING NO.	REV	DESCRIPTION	DATE	ECO	APPR
THIRD ANGLE PROJ.	A	RELEASE TO MFG.	1/21/00	43238	CPM
	B	BODY Ø 2,7 WAS 2,3; FERR ID WAS 3,4 & OD WAS 4,4; KJ# WAS SMA1111A2-NT50G-316U/D-50	9/14/01	43834	CPM



SCALE 2.000



RECOMMENDED  
CABLE STRIPPING DIM'S.  
SCALE 5.000



CUSTOMER OUTLINE DRAWING  
ALL OTHER SHEETS ARE FOR INTERNAL USE ONLY

UNLESS OTHERWISE SPECIFIED, DIMENSIONS ARE IN INCHES AND TOLERANCES ARE: 0.5 - 6mm ±0.2mm      6 - 30mm ±0.4mm      30 - 120mm ±0.6mm	MATERIAL	DRAWN C. McGRATH	DATE 18-Jan-00	TITLE <b>SMA CRIMP PLUG FOR RD 316 CABLE</b>		<b>Amphenol</b> Amphenol Corporation Communication and Network Products Division Danbury, CT U.S.A. 06810
	REFERENCE GEN# ASSYMI5_SMA	ENGINEER T. AUBIN	DATE 18-Jan-00			
NOTICE - These drawings, specifications, or other data (1) are, and remain the property of Amphenol Corp. (2) must be returned upon request; and (3) are confidential and not to be disclosed to any person other than those to whom they are given by Amphenol Corp. The furnishing of these drawings, specifications, or other data by Amphenol Corp., or to any other person to anyone for any purpose is not to be regarded by implication or otherwise in any manner licensing, granting rights or permitting such holder or any other person to manufacture, use or sell any product, process or design, patented or otherwise, that may in any way be related to or disclosed by said drawings, specifications, or other data.		CAD FILE I:\SMA\901-10024-RFX	CODE ID 74868	DWG SIZE B	DRAWING NO. 901-10024-RFX	SCALE: 4.0:1      SHEET 2 OF 2
						REV B