

MICRO SWITCH

FREEPORT ILLINOIS, U. S. A
A DIVISION OF HONEYWELL
FED. MFG. CODE 91929

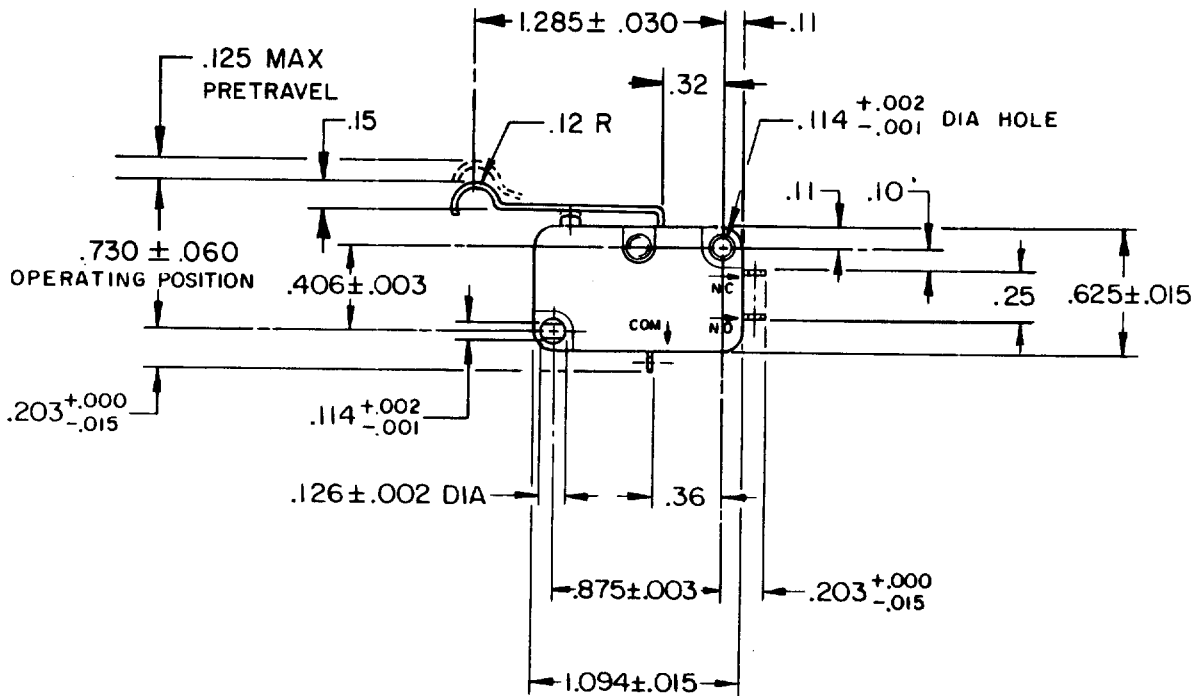
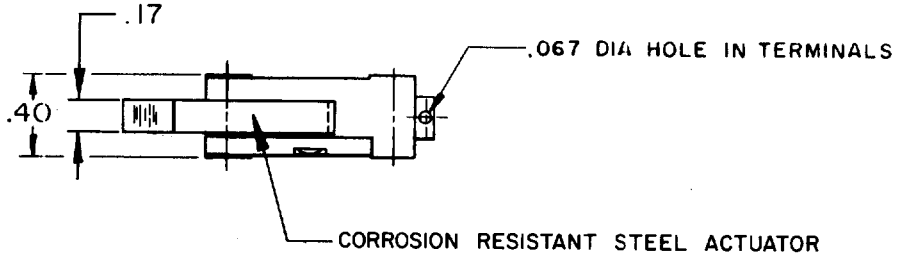
SWITCH - BASIC

CATALOG LISTING

V3L-84

S

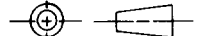
CQ-A8310



NOTE -
I - TERMINALS ARE PLATED FOR SOLDERING

THIS DRAWING COVERS A PROPRIETARY ITEM AND IS THE PROPERTY OF MICRO SWITCH, A DIVISION OF HONEYWELL. THIS DRAWING IS NOT TO BE COPIED OR USED WITHOUT THE APPROVAL OF MICRO SWITCH.

THIRD ANGLE PROJECTION



CHARACTERISTICS

OPERATING FORCE ----- 8 OZ MAX
RELEASE FORCE ----- 1 OZ MIN
DIFFERENTIAL TRAVEL ----- .032 MAX
OVERTRAVEL ----- .080 MIN
RELEASE TRAVEL ----- .015 MIN

ELECTRICAL DATA

CONTACT ARRANGEMENT
S P D T

L83
15.1A 1/2HP 125 OR 250 VAC
1/2A 125 VDC, 1/4A 250 VDC
5A 125 VAC "L"



SCALE FULL

DO NOT SCALE PRINT

TOLERANCES

APPLY TO DESIGN UNITS. CONVERSIONS ARE ONLY FOR REFERENCE. UNLESS NOTED, TOLERANCES ARE ±

DIM.	TOL.	DIM.	TOL.
mm	mm/in	in	mm/in
NO PLACES	X	1/.04	
ONE PLACE	X,X	0.4/.016	X,X 0.8/.03
TWO PLACES	X,XX	0.15/.006	X,XX 0.38/.015
THREE PLACES	X,XXX		X,XXX 0.13/.005

DESIGN UNITS

SI METRIC

US CUSTOMARY

WEIGHT

V3L-84

M

DRAWING NUMBER

8

X

ISSUE

84

REPLACES

RELEASE NO. PR-4266

CHECK

REVISIONS

A	CO 36287 SMA	1 OCT 85
B	CO- 69205 BAB	3 JAN 91
C	CO 76442 DCS	2 DEC 93

CHECK

28 AUG 74

CHECK

74

CHECK

15

AUG

J A L

FO-52848-A

DRAWN