

DWG. NO.	096-4331		
REVISIONS			
SYM.	E.C.G.	DATE	APVD.
A	28959	11/22/17	DIM RACK MTG EARS

SPECIFICATIONS:
 SINGLE PHASE ON-LINE DOUBLE CONVERSION UNINTERRUPTIBLE POWER SUPPLY 1000VA/900W

INPUT
 RATED VOLTAGE: 100-120 VAC
 FREQUENCY RANGE: 50/60 Hz
 POWER FACTOR: \geq 0.99 AT NORMAL VOLTAGE

OUTPUT
 NOMINAL VOLTAGE: 100*/110*/115*/120 VAC \pm 1%
 FREQUENCY SYNC RANGE: 47-53 Hz or 57-63 Hz
 FREQUENCY RANGE (BAT. MODE): 50Hz \pm 0.5Hz or 60Hz \pm 0.5Hz
 CURRENT CREST RATIO: 5:1 (MAX.)
 HARMONIC DISTORTION: \leq 2% THD (LINEAR LOAD), 8% MAX. (BATTERY MODE BEFORE SHUT DOWN)
 EFFICIENCY: LINE MODE: 86% TYPICAL, 88% PEAK
 BATTERY MODE: 83% TYPICAL, 86% PEAK

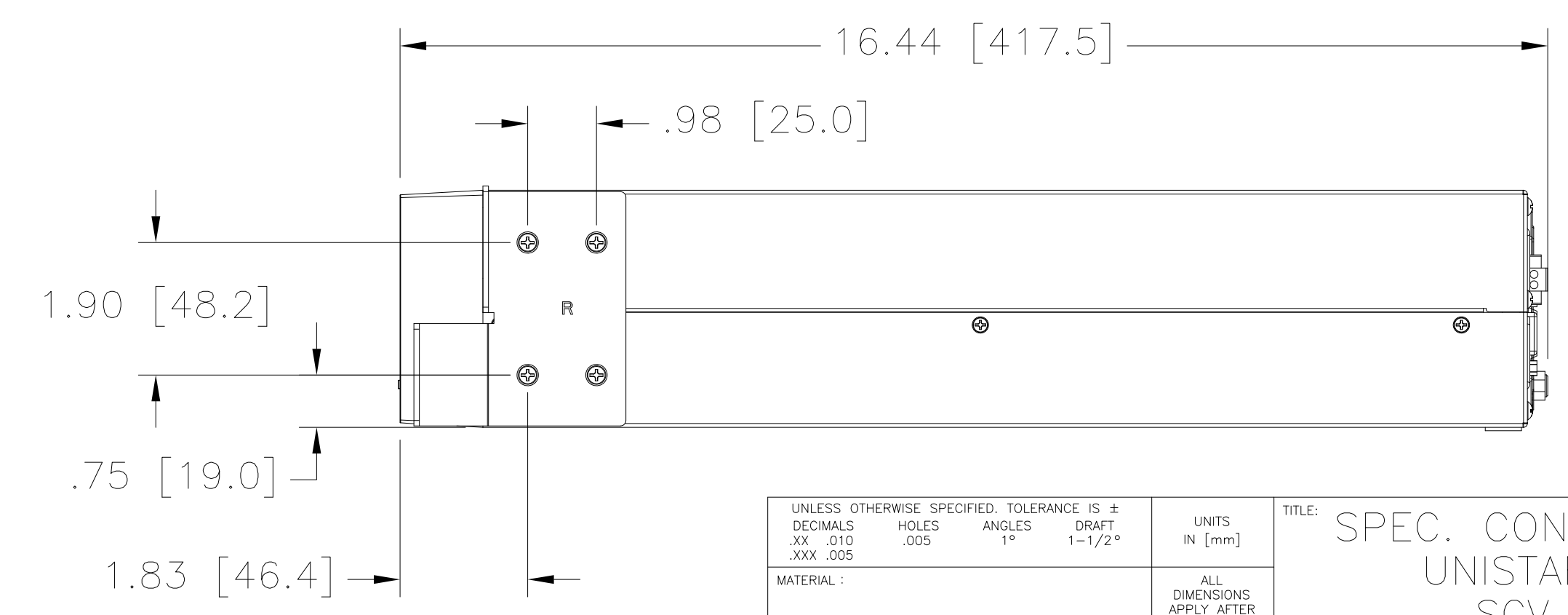
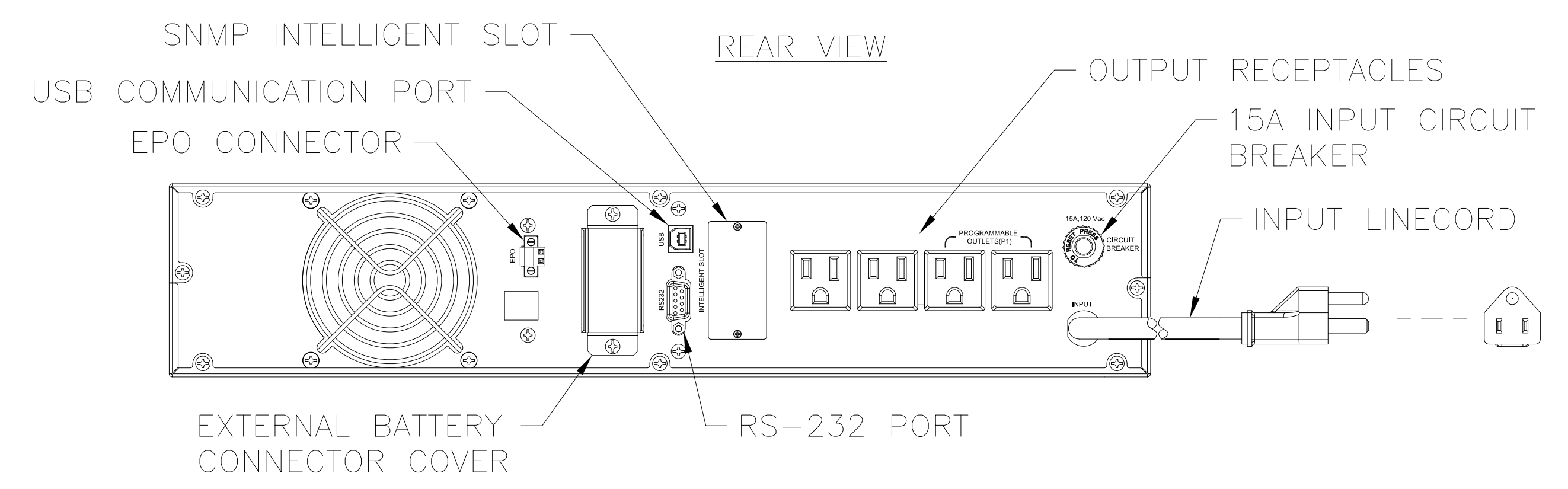
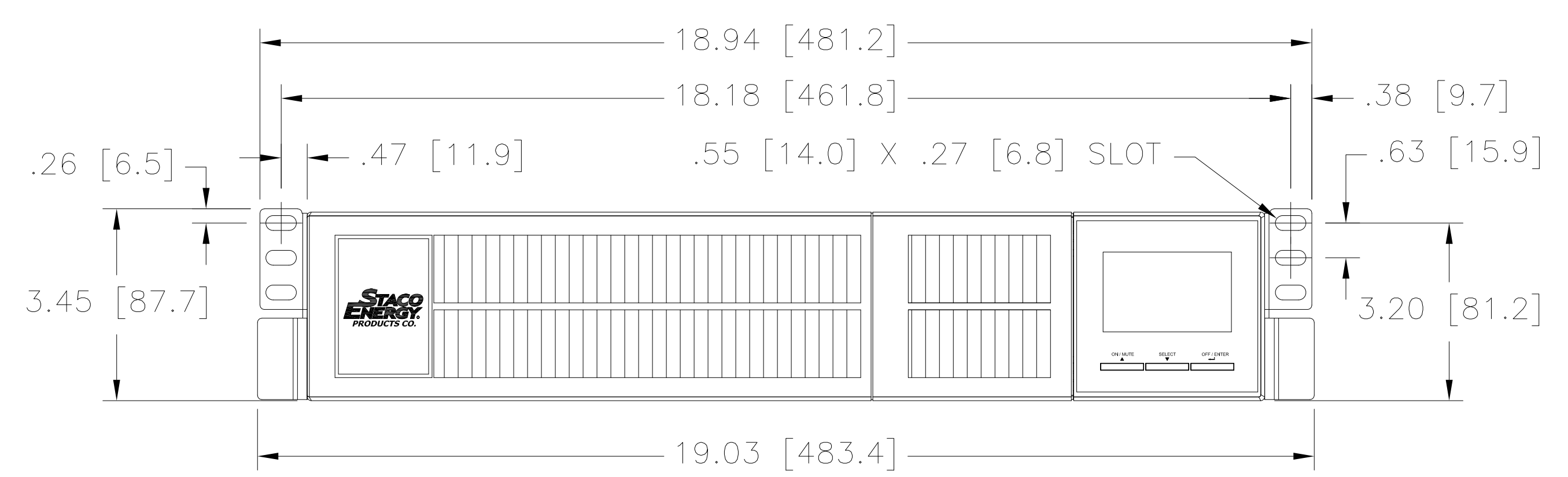
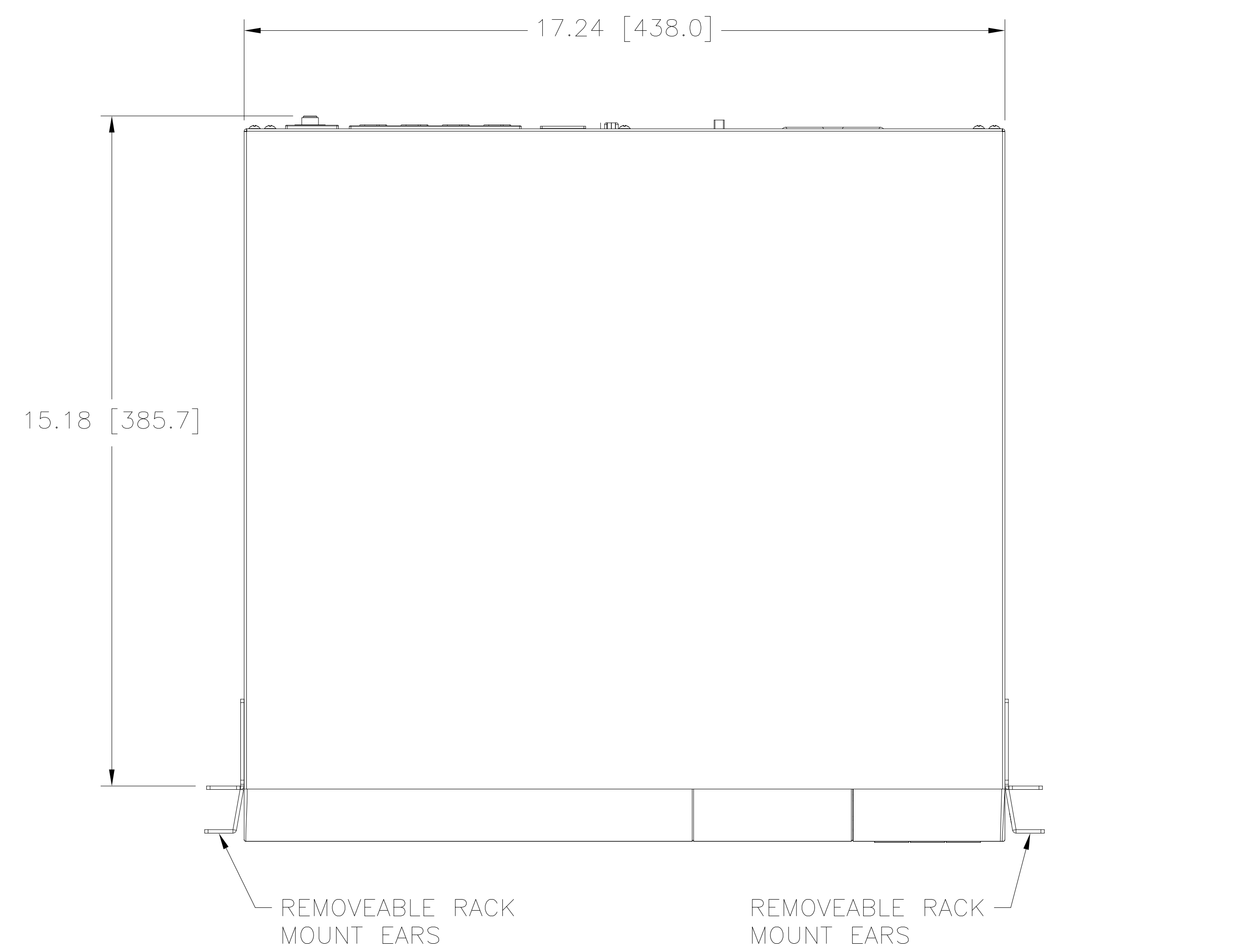
*DERATE CAPACITY TO 95% WHEN THE OUTPUT VOLTAGE IS ADJUSTED TO 115VAC. DERATE CAPACITY TO 90% WHEN THE OUTPUT VOLTAGE IS ADJUSTED TO 110VAC. DERATE CAPACITY TO 80% WHEN THE OUTPUT VOLTAGE IS ADJUSTED TO 100VAC.

BATTERY
 BATTERY TYPE: 12V 9AH
 NUMBER OF BATTERIES: 2
 TYPICAL RECHARGE TIME: 4 HOURS RECOVER TO 90% CAPACITY
 CHARGING CURRENT (MAX.): 1A AT 27.4 VDC \pm 1%, 4A OR 6A FOR EXTERNAL BATTERIES

WEIGHT: 29 LBS (13 KG)

ENVIRONMENTAL
 OPERATING TEMPERATURE: 0°C-40°C (32°F-104°F)(THE BATTERY LIFE WILL DECREASE WHEN > 25°C (77°F))
 ALTITUDE: <1000m (3281 FT), 2000m (6562 FT) MAX.
 IF THE UPS IS INSTALLED OR USED IN A PLACE WHERE THE ALTITUDE IS ABOVE THAN 1000M, THE OUTPUT POWER MUST BE DERATED ONE PERCENT PER 100M.
 HUMIDITY: 20-90% RH AT 0°C - 40°C NON-CONDENSING
 NOISE: <50 dBA (AT 1 METER)

UL LISTED TO UL1778



UNLESS OTHERWISE SPECIFIED, TOLERANCE IS \pm		UNITS		TITLE: SPEC. CONTROL DRAWING	
DECIMALS	Holes	ANGLES	DRAFT	UNSTAR V UPS	
.XX .010	.005	1°	1-1/2°	SCV-10001	
.XXX .005				DRAWN BY: S.A. SMITH	
MATERIAL:				DATE: 6/25/15	
ALL DIMENSIONS APPLY AFTER PLATING				FIRST USED ON	
The information and design disclosed herein was originated by and is the property of STACO ENERGY PRODUCTS CO., which reserves all patent, proprietary, design, manufacturing, reproduction, use and sale rights thereto, and to any article disclosed therein except to the extent rights are expressly granted to others. The foregoing does not apply to vendor proprietary parts.				DO NOT SCALE DWG.	
CHECKER: SAS		DATE: 6/26/15		WEIGHT APPROX. CASE CODE 83008	
ENGINEER: SAS		DATE: 6/26/15		SCALE 1/2 SHEET 1 OF 1	
				DWG. NO. 096-4331	

