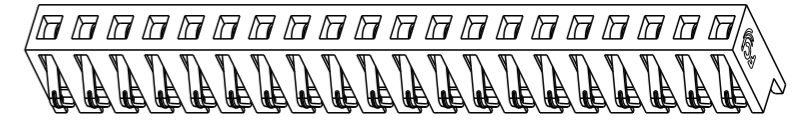


PRODUCT NO.	PACKAGING
10100774-001LF	TUBE

50.800±0.127  
(20 POSITIONS X 2.540)  
48.260±0.127



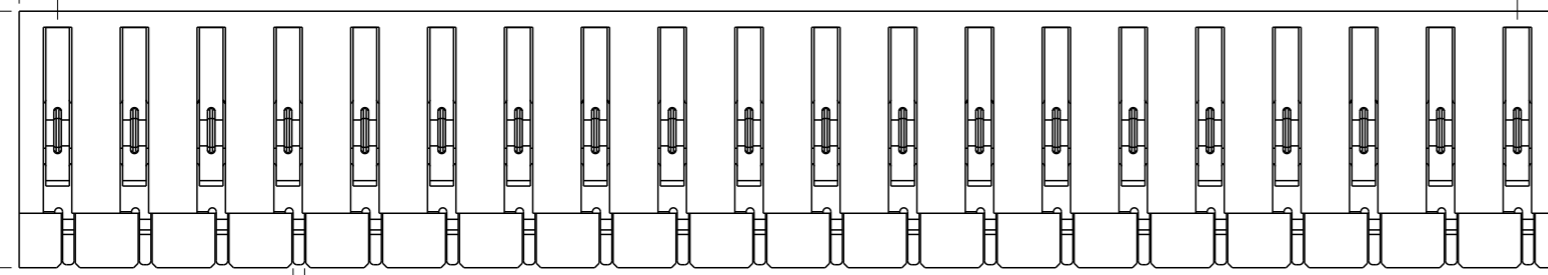
SCALE 2.000

1.270 REF.

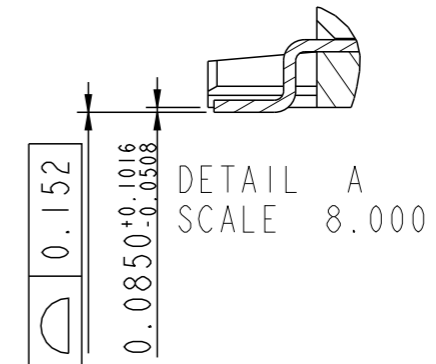
8.480 REF.

0.380 REF.

3.810 REF.  
1.140

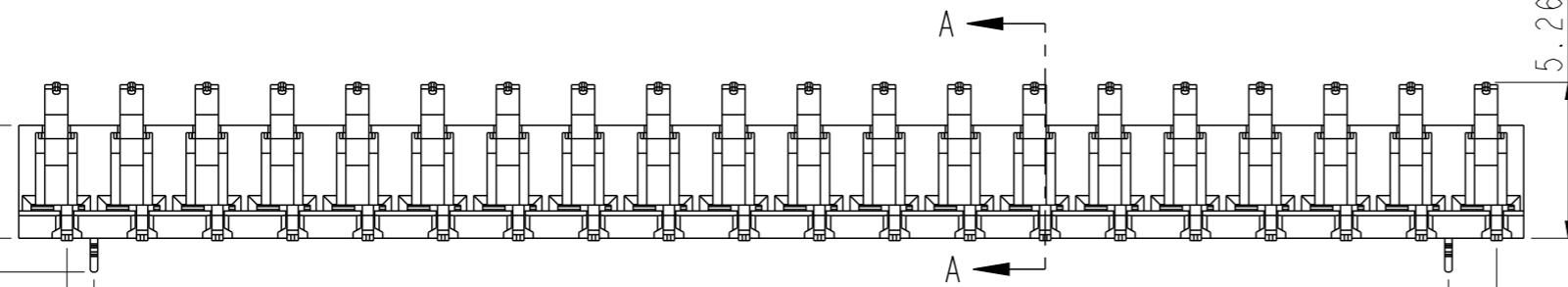


SEE NOTE 4

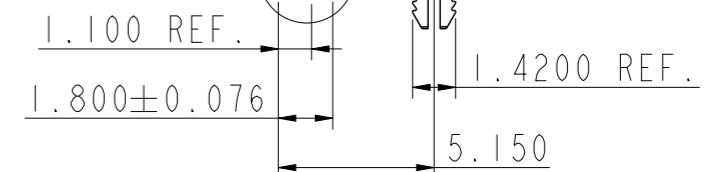


DETAIL A  
SCALE 8.000

0.80 (NOMINAL COMPRESSION)  
1.00 (FULLY COMPRESSION)



SEE DETAIL A



SECTION A-A

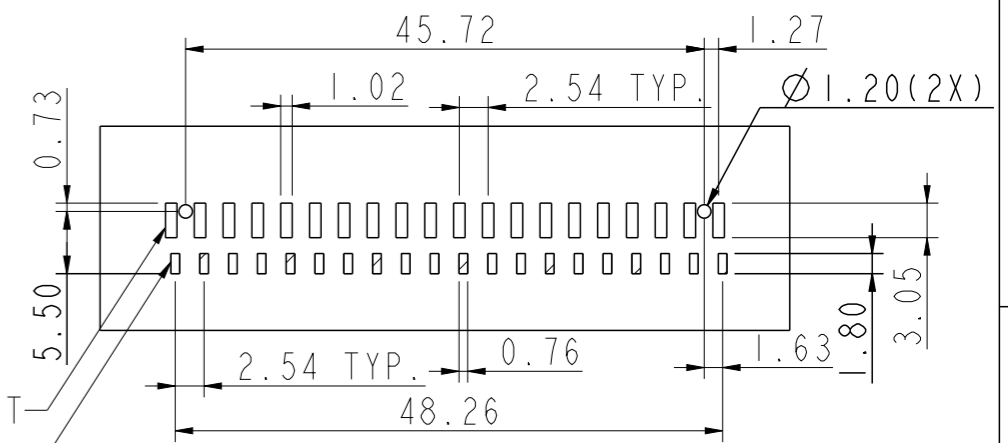
45.720 REF.

48.260 REF.

5.260±0.127

NOTES:

- MATERIAL:  
HOUSING: HIGH TEMPERATURE THERMOPLASTIC, UL94V-0, BLACK  
TERMINAL & CLIP: COPPER ALLOY
- PLATING:  
TERMINAL: 0.76um MIN. Au ON CONTACT AREA, 2.54um MIN. Sn(100% MATTE TIN) ON SOLDER TAILS,  
1.27um MIN. Ni UNDERPLATE OVERALL  
CLIP: 2.54um MIN. Sn(100% MATTE TIN) OVER 1.27um MIN. Ni UNDERPLATE OVERALL
- NORMAL FORCE PER EACH TERMINAL SHOULD BE 50gf MIN. ~ 200gf MAX. AT NOMINAL COMPRESSION HEIGHT AT 25±6mm/min COMPRESSION SPEED
- VENDOR ID TO BE ON AREA INDICATED
- PRODUCT SPECIFICATION: GS-12-626
- THIS PRODUCT MEETS EUROPEAN UNION DIRECTIVES AND OTHER COUNTRY REGULATIONS AS DESCRIBED IN GS-22-008
- THE HOUSING WILL WITHSTAND EXPOSURE TO 260°C PEAK TEMPERATURE FOR 10 SECONDS IN A CONVECTION, INFRA-RED OR VAPOR PHASE REFLOW OVEN



SCALE 1.500  
RECOMMENDED SOLDER AND CONTACT PAD LAYOUT

CONTACT PAD LAYOUT  
SOLDER PAD LAYOUT

spec ref	-	dr	Jeffrey Lim	2011/09/16	projection	mm	size	A3	scale	4.000
tolerance std	ISO 406 ISO 1101	eng	Jeffrey Lim	2011/10/11		mm	A3	-	-	-
TOLERANCES UNLESS OTHERWISE SPECIFIED		chr	-	-						
surface	ISO 1302	appr	Joey Ng	2011/10/12	product family		rel level	Released		
	linear	0.X	±0.35		title		20P COMPRESSION CONNECTOR		dwg no 10100774	rev A
		0.XX	±0.30		cat. no.		Product - Customer Drw			
	angular	0°	±2°		www.fci.com		sheet 1 of 1			