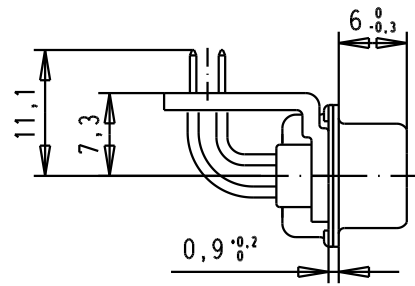
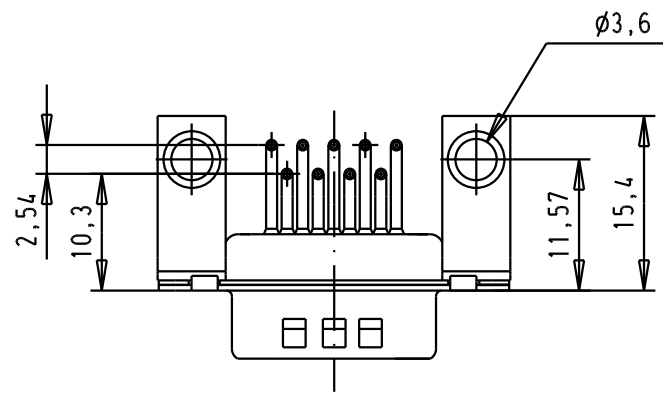
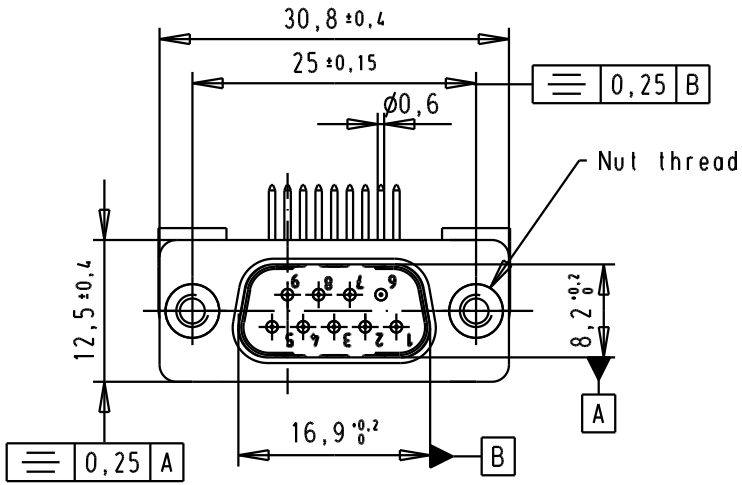


D

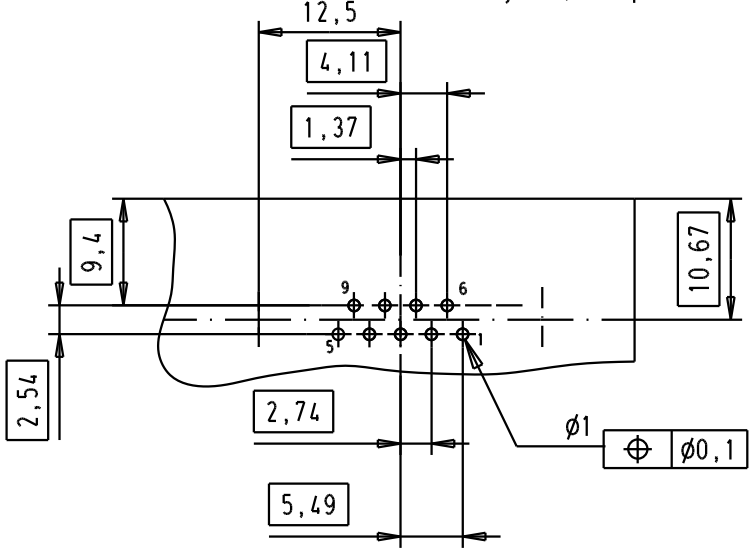
C

B

A



PCB Layout, Component side



SPECIFICATION


Mating Cycles	500
Filter type	C
Capacitance	1000pf±20%
Working Voltage	100v
Current rating	7,5A
Insulation Resistance	>1GΩ

Minimum Insertion Loss

FREQUENCY (MHz)	ATTENUATION dB
5	1dB
10	3dB
50	12dB
100	20dB
500	34dB
1000	30dB

09641247237	M3
09641247236	4-4UNC-2B
Part number	Nut thread

31864	23/01/04	AF	
31058	8-JUL-02	CV	
Mod.	Dat.	Name	

	Dat.	Name
Detail.	8-JUL-02	CV
Insp.		
Stand.		
		
All Dim. in mm Orig. Size DIN A 4		
HARTING EURL F-95972 Paris		

D-Sub, male, angled,
 9 Poles, turned solder pin
 tin plated shell and
 metal bracket with nut

TB 0964124723x