



LFB Series 3mm Press Fit, Low Profile Diffused Rigid Light Pipe



LFB Series litepipe™ features diffused round 3mm surface for super wide viewing angle at 120 degrees

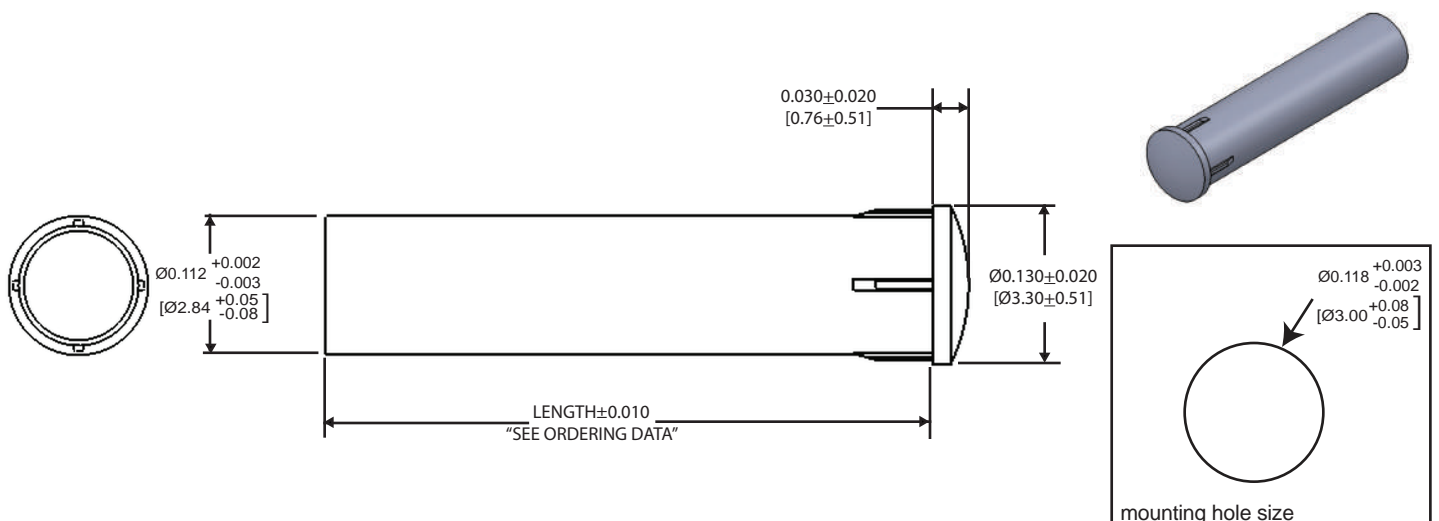
Applications

- audio/video
- communication
- darkroom equipment
- electrical panels
- entertainment
- industrial
- medical
- IoT
- security
- studio control
- transportation

Key features

- for use with surface-mount or through-hole LEDs
- optical grade polycarbonate for maximum light transmission
- low profile, flush panel design
- wide viewing angle at 120 degrees
- frosted surface diffuses light and provides uniform brightness and a soft glow
- press fit (front panel mount) with crushable ribs that simplifies installation
- no physical connection between light pipe and LED provides versatility for assembly
- standard lengths from 0.125" to 1.000"
- custom lengths available
- optional RTN112 retainer provides a reliable solution for high-vibration environments

Dimensions



Dimensions in inches [mm]

Product Specifications

Material
Polycarbonate, clear, UL 94-V0

Installation Specification	
mounting hole	0.118" +0.003/-0.002 (3.00mm +0.08/-0.05)
panel thickness	0.040" (1.02mm) to 0.093"(2.36mm)

Recommendation: Maximum air gap (clearance) between LED and light pipe for best performance:

- 0.020" for wide viewing angle LED
- 0.050" for narrow viewing angle LED

Ordering Data

LFB CTP

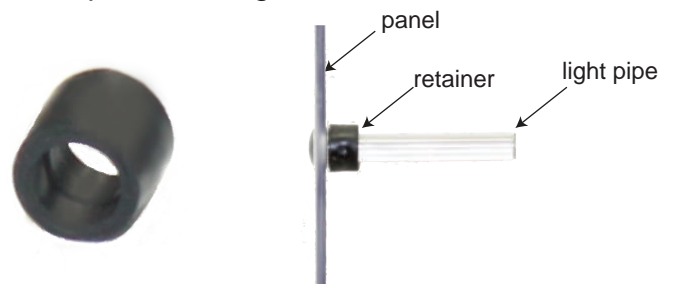
	Length
012	0.125" (3.2mm)
025	0.250" (6.4mm)
035	0.350" (8.9mm)
037	0.375" (9.5mm)
050	0.500" (12.7mm)
063	0.625" (15.9mm)
075	0.750" (19.0mm)
100	1.000" (25.4mm)

Optional Accessory

Retainer for LFB Series 3mm Light Pipe (order separately)

Ordering Number: RTN112

- recommended for high vibration applications
- secure and uniform placement of the light pipe to the panel
- field-proven design



Please see datasheet RTN112 for more details

Compliance & Approvals

