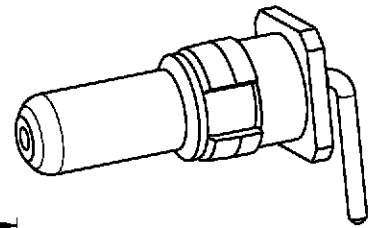
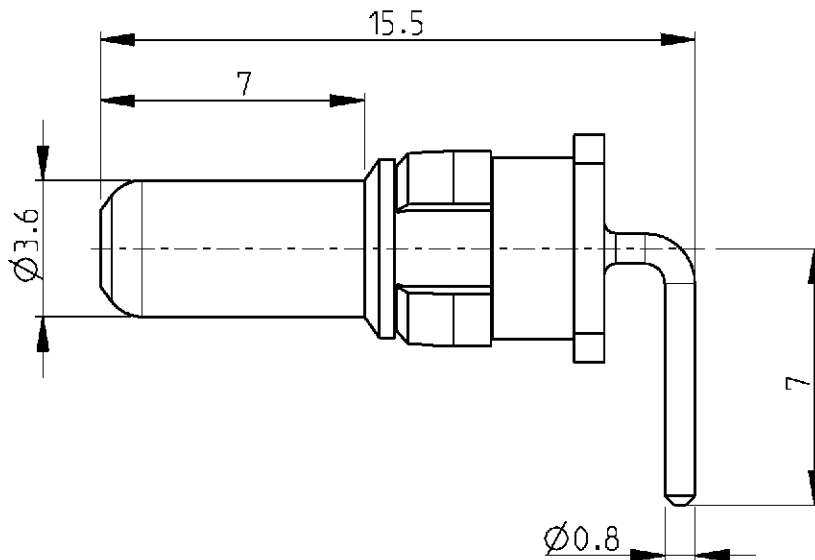


LOC	DIST	REVISIONS					
GW	-	P	LTR	DESCRIPTION	DATE	DWN	APVD
			A	-		19APR2001	BL



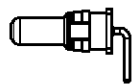
3:1



- 2) All dimensions are max unless otherwise specified.
- 1) Application DIN 41612 type M.

Cross reference table

Old part number	Tyco part number	Material	Plating	Current
C42334-A347-A103	2-1393589-0	Brass	1 µm Au or Pd in contact area	10 A



1:1

2000
RELEASED FOR PUBLICATION

THIS DRAWING IS UNPUBLISHED.
COPYRIGHT 2000 BY TYCO ELECTRONICS CORPORATION. ALL RIGHTS RESERVED.

DIMENSIONS: mm	DWN B. Lenvain	19APR2001	MATERIAL	-	FINISH	-
	CHK K. Mattheeuws	19APR2001	Tyco Electronics Oostkamp - Belgium			
TOLERANCES UNLESS OTHERWISE SPECIFIED:	APVD R. Leeman	19APR2001				
0 PLC ±	PRODUCT SPEC	-	NAME High current plug with PCB connection			
1 PLC ±	APPLICATION SPEC	-				
2 PLC ±	WEIGHT	-	SIZE	A 4	CAGE CODE	00779
3 PLC ±			DRAWING NO	C=2-1393589-0		RESTRICTED TO
4 PLC ±			CUSTOMER DRAWING			
ANGLES ±			SCALE	6/1	SHEET	1 OF 1
					REV	A