

Power cable - SAC-5P-MINMR/ 1,0-U20 - 1416569

Please be informed that the data shown in this PDF Document is generated from our Online Catalog. Please find the complete data in the user's documentation. Our General Terms of Use for Downloads are valid (<http://phoenixcontact.com/download>)




Power cable, 5-position, PVC, yellow, Plug angled 7/8"-16UNF, A - standard, on free cable end, cable length: 1 m

Why buy this product

- Easy and safe: 100% electrically tested plug-in components
- High-performance: connectors and cables with a large conductor cross section for power supply

Key Commercial Data

Packing unit	1 STK
GTIN	 4 055626 223117
GTIN	4055626223117

Technical data

Dimensions

Length of cable	1 m
-----------------	-----

Ambient conditions

Ambient temperature (operation)	-20 °C ... 105 °C (Plug / socket)
Degree of protection	IP68

General

Rated current at 40°C	8 A
Rated voltage	600 V AC 600 V DC
Number of positions	5
Color handle area	yellow
Insulation resistance	≥ 100 MΩ
Coding	A - standard
Status display	No

Power cable - SAC-5P-MINMR/ 1,0-U20 - 1416569

Technical data

General

Protective circuit/component	Unwired
Insertion/withdrawal cycles	100
Torque	10 lb _F -in.
	1.12 Nm

Material

Flammability rating according to UL 94	V0
Contact material	CuZn
Contact surface material	AU
Contact carrier material	PVC
Material of grip body	PVC
Material, knurls	Anodized aluminum

Cable

Cable type	Yellow, STOOW
Cable abbreviation	U20
AWG signal line	16
Conductor cross section signal conductor	16 AWG (5 x AWG 16)
Conductor cross section voltage supply	32 AWG (65 x AWG 32)
Wire colors	White 1, red 2, green 3, orange 4, black 5
External sheath, color	yellow
External cable diameter	12.70 mm
Minimum bending radius, fixed installation	4 x D
Minimum bending radius, flexible installation	12.5 x D
Outer sheath, material	PVC
Conductor material	Bare Cu litz wires
Nominal voltage, cable	600 V
Flame resistance	UL 1581, FT2
Resistance to oil	Premium oil resistance (jacket and conductor)
Other resistance	UV resistant (720 h) UL 2556
Ambient temperature (operation)	-40 °C ... 105 °C (cable, fixed installation)
	-30 °C ... 105 °C (cable, flexible installation)

Standards and Regulations

Flame resistance	UL 1581, FT2
Resistance to oil	Premium oil resistance (jacket and conductor)
Other resistance	UV resistant (720 h) UL 2556
Flammability rating according to UL 94	V0

Environmental Product Compliance

China RoHS	Environmentally Friendly Use Period = 50
------------	--

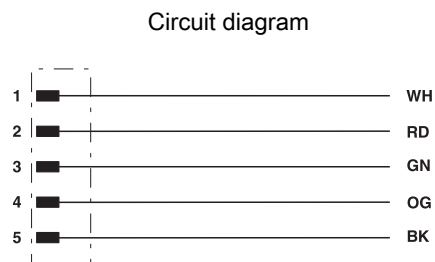
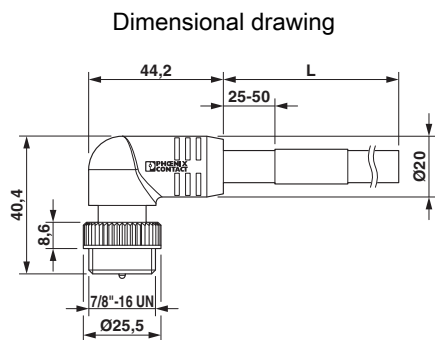
Power cable - SAC-5P-MINMR/ 1,0-U20 - 1416569

Technical data

Environmental Product Compliance

	For details about hazardous substances go to tab "Downloads", Category "Manufacturer's declaration"
--	---

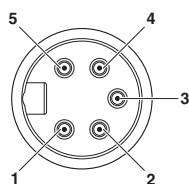
Drawings



Contact assignment of 7/8" plug

7/8"-16UNF plug, angled

Schematic diagram



Pin assignment, plug, 7/8"-16UNF, 5-pos., view of male side

Approvals

Approvals

Approvals

UL Listed / cUL Listed / cULus Listed


Ex Approvals


Approval details

UL Listed		http://database.ul.com/cgi-bin/XYV/template/LISEXT/1FRAME/index.htm	FILE E 221474
-----------	--	---	---------------

Power cable - SAC-5P-MINMR/ 1,0-U20 - 1416569

Approvals

cUL Listed		http://database.ul.com/cgi-bin/XYV/template/LISEXT/1FRAME/index.htm	FILE E 221474
------------	---	---	---------------

cULus Listed		http://database.ul.com/cgi-bin/XYV/template/LISEXT/1FRAME/index.htm
--------------	---	---

Phoenix Contact 2018 © - all rights reserved
<http://www.phoenixcontact.com>

PHOENIX CONTACT GmbH & Co. KG
Flachsmarktstr. 8
32825 Blomberg
Germany
Tel. +49 5235 300
Fax +49 5235 3 41200
<http://www.phoenixcontact.com>