

GPS Antenna

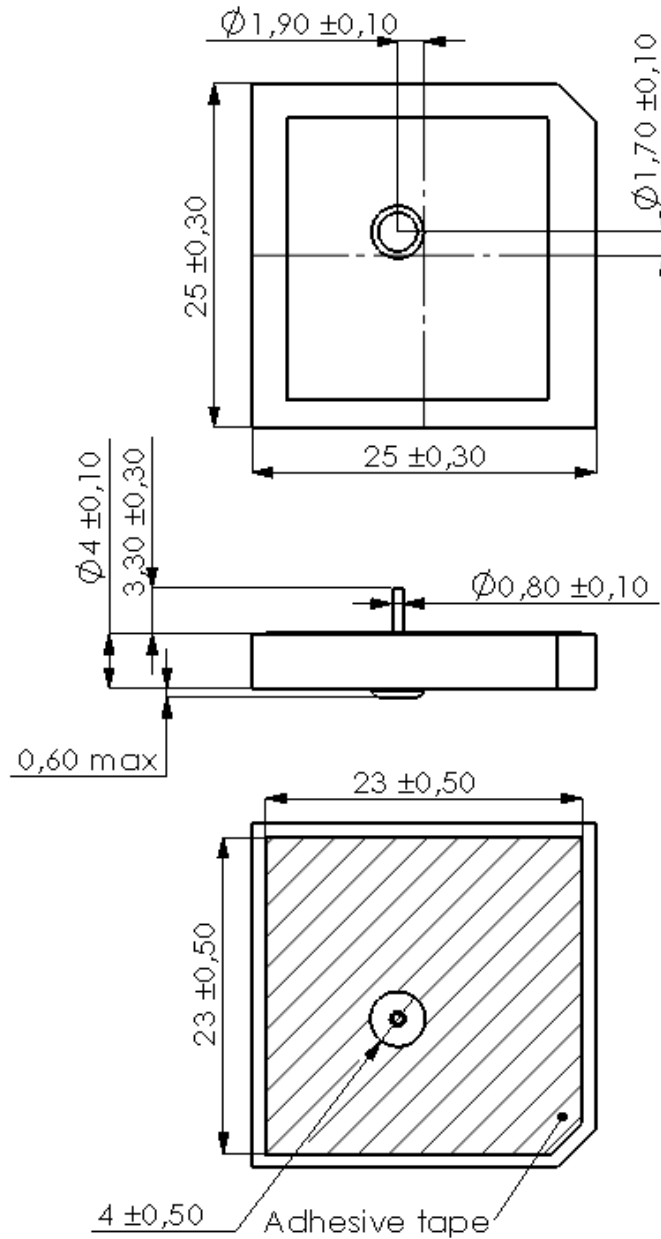
1575.42 MHz

W3099

Series : ANTENNA

Mechanical dimensions

Dimensions in mm



Issue: 201237

In the effort to improve our products, we reserve the right to make changes judged to be necessary.

CONFIDENTIAL AND PROPRIETARY INFORMATION

This document contains confidential and proprietary information of Pulse Electronics, Inc. (Pulse) and is protected by copyright, trade secret and other state and federal laws. Its receipt or possession does not convey any rights to reproduce, disclose its contents, or to manufacture, use or sell anything it may describe. Reproduction, disclosure or use without specific written authorization of Pulse is strictly forbidden



GPS Antenna

1575.42 MHz

W3099

Series : ANTENNA

ELECTRICAL SPECIFICATIONS

Nominal Frequency	1575.42 ± 2	MHz
Frequency on 70x70mm ground plane	1580±2	MHz
-10 dB bandwidth min	20	MHz
Nominal Impedance	50	Ω
Efficiency	>70	%
SWR	1.5:1	
RHCP Gain to Zenith	>3.5	dBic
Polarization:	RHCP	
Axial Ratio max	3.0	dB

MECHANICAL SPECIFICATIONS

Dimensions:	25.00 x 25.00 x 4.0	mm
Weight	10g	g

ENVIRONMENTAL SPECIFICATIONS

Operating temperature	-10/+60	° C
-----------------------	---------	-----

Issue: 201237

In the effort to improve our products, we reserve the right to make changes judged to be necessary.

CONFIDENTIAL AND PROPRIETARY INFORMATION

This document contains confidential and proprietary information of Pulse Electronics, Inc. (Pulse) and is protected by copyright, trade secret and other state and federal laws. Its receipt or possession does not convey any rights to reproduce, disclose its contents, or to manufacture, use or sell anything it may describe. Reproduction, disclosure or use without specific written authorization of Pulse is strictly forbidden



GPS Antenna

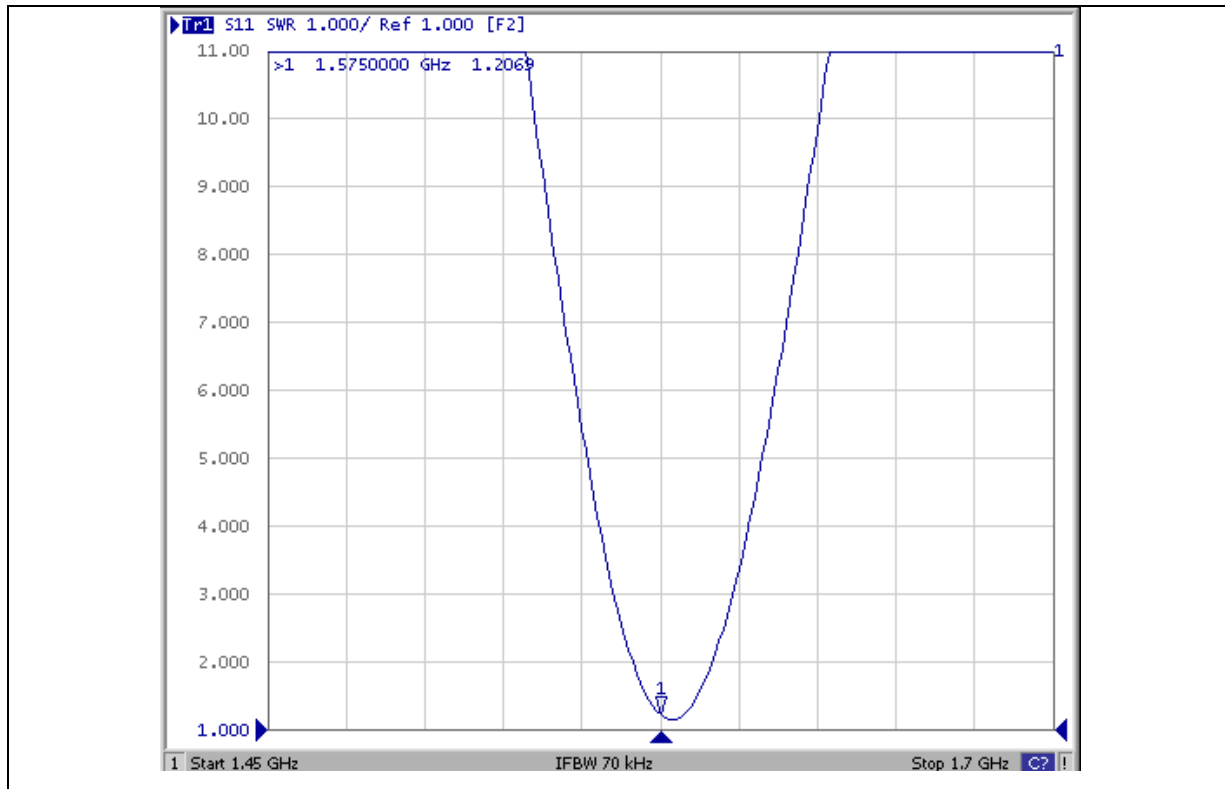
1575.42 MHz

W3099

Series : ANTENNA

Charts

Typical antenna VSWR on 70x70mm ground plane



Issue: 201237

In the effort to improve our products, we reserve the right to make changes judged to be necessary.

CONFIDENTIAL AND PROPRIETARY INFORMATION

This document contains confidential and proprietary information of Pulse Electronics, Inc. (Pulse) and is protected by copyright, trade secret and other state and federal laws. Its receipt or possession does not convey any rights to reproduce, disclose its contents, or to manufacture, use or sell anything it may describe. Reproduction, disclosure or use without specific written authorization of Pulse is strictly forbidden



GPS Antenna

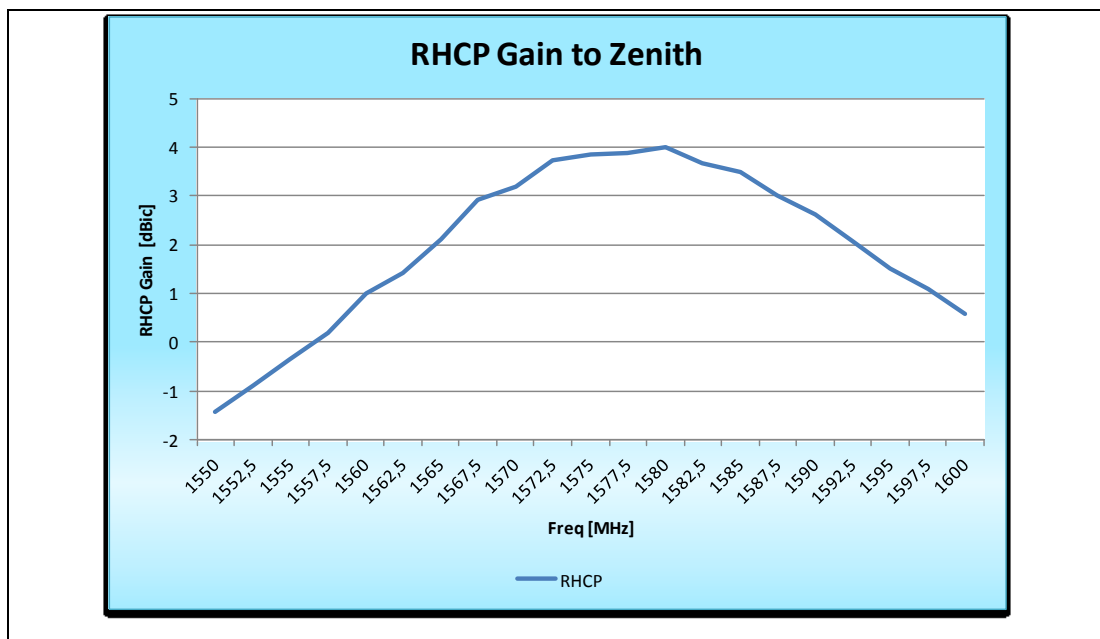
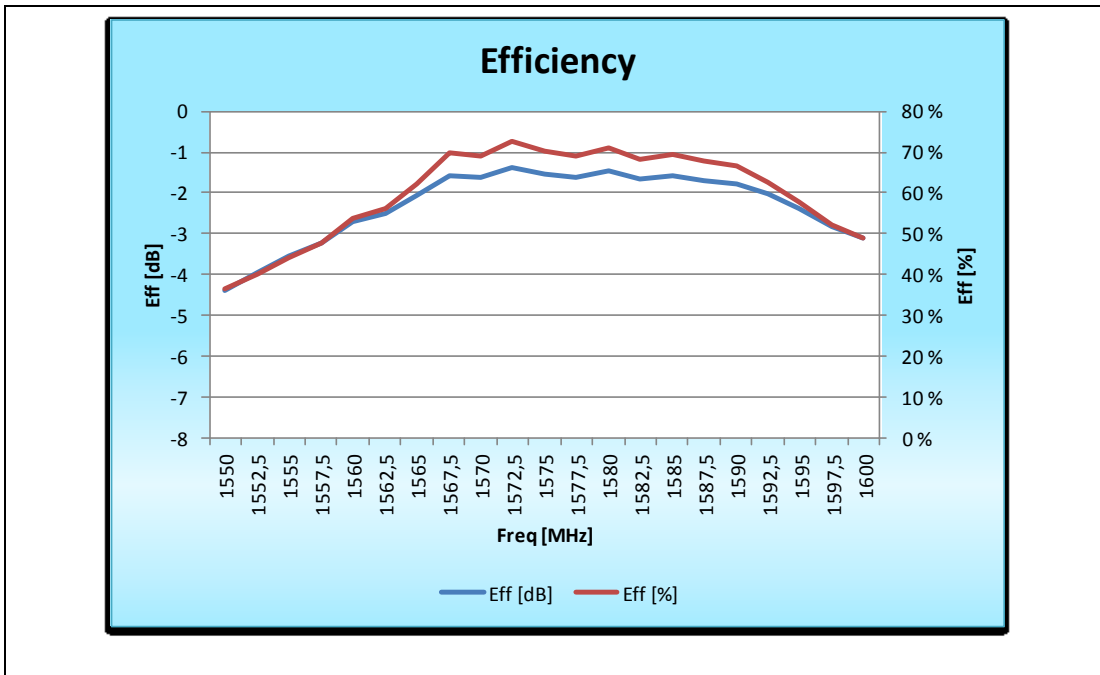
1575.42 MHz

W3099

Series : ANTENNA

Charts

Typical antenna 3D Efficiency and RHCP Gain on 70x70mm ground plane



Issue: 201237

In the effort to improve our products, we reserve the right to make changes judged to be necessary.

CONFIDENTIAL AND PROPRIETARY INFORMATION

This document contains confidential and proprietary information of Pulse Electronics, Inc. (Pulse) and is protected by copyright, trade secret and other state and federal laws. Its receipt or possession does not convey any rights to reproduce, disclose its contents, or to manufacture, use or sell anything it may describe. Reproduction, disclosure or use without specific written authorization of Pulse is strictly forbidden



GPS Antenna

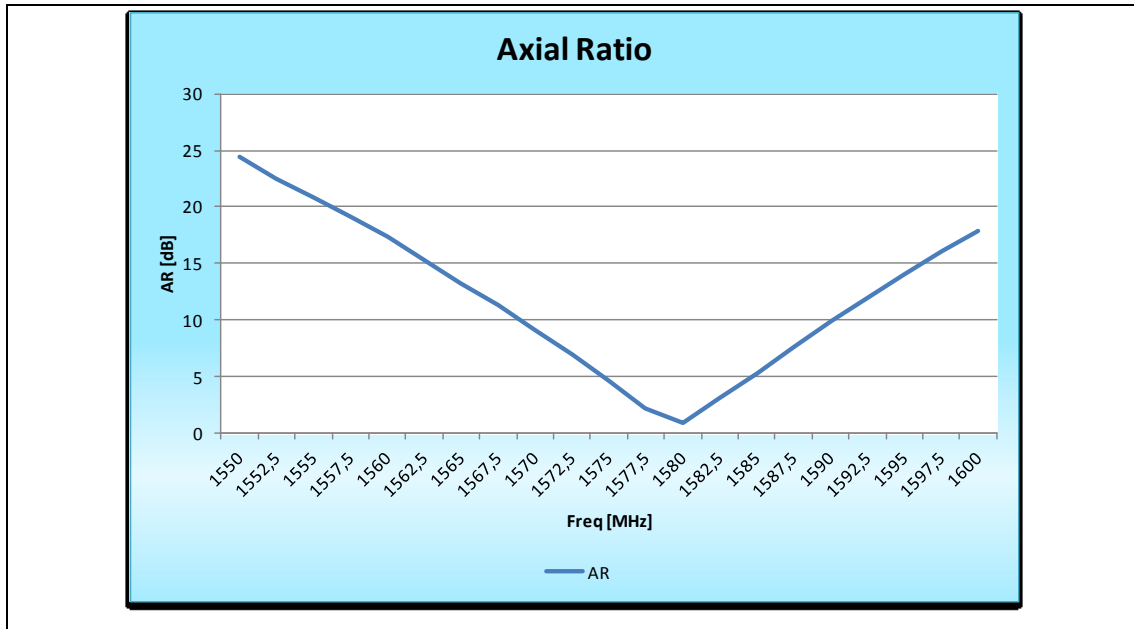
1575.42 MHz

W3099

Series : ANTENNA

Charts

Typical antenna Axial Ratio on 70x70mm ground plane



Issue: 201237

In the effort to improve our products, we reserve the right to make changes judged to be necessary.

CONFIDENTIAL AND PROPRIETARY INFORMATION

This document contains confidential and proprietary information of Pulse Electronics, Inc. (Pulse) and is protected by copyright, trade secret and other state and federal laws. Its receipt or possession does not convey any rights to reproduce, disclose its contents, or to manufacture, use or sell anything it may describe. Reproduction, disclosure or use without specific written authorization of Pulse is strictly forbidden

